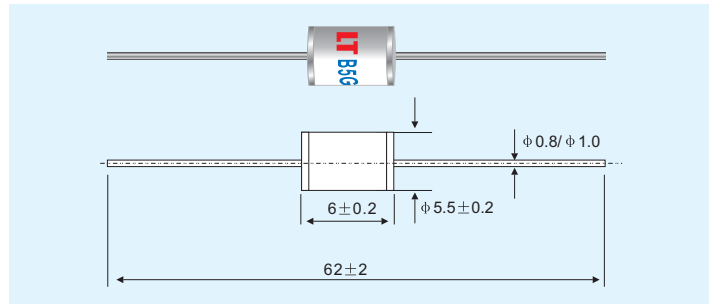


B5G微型小通流容量系列 (B5G Mini Light-Duty Types)



型号 Type	标称直流 击穿电压 DC Breakdown Voltage 100v/s	直流击穿 电压范围 Tolerance of Vs	冲击击穿电压 Impulse Spark-over Voltage 1kV/μs	绝缘阻抗 Insulation Resistance		耐冲击电流 Impulse Discharge Current 8/20 μs	耐工频电流 Alternating Discharge Current 50Hz	电容 C 10kHz @0.3V
	V	%	V	GΩ	DC	KA	A	PF
B5G070L	70	25	≤ 600	≥10	25V	5	5	≤ 2
B5G090L	90	25	≤ 650	≥10	50V	5	5	≤ 2
B5G230L	230	20	≤ 700	≥10	100V	5	5	≤ 2
B5G350L	350	20	≤ 800	≥10	100V	5	5	≤ 2
B5G420L	420	20	≤ 900	≥10	100V	5	5	≤ 2
B5G470L	470	20	≤ 900	≥10	250V	5	5	≤ 2
B5G600L	600	20	≤ 1200	≥10	250V	5	5	≤ 2

