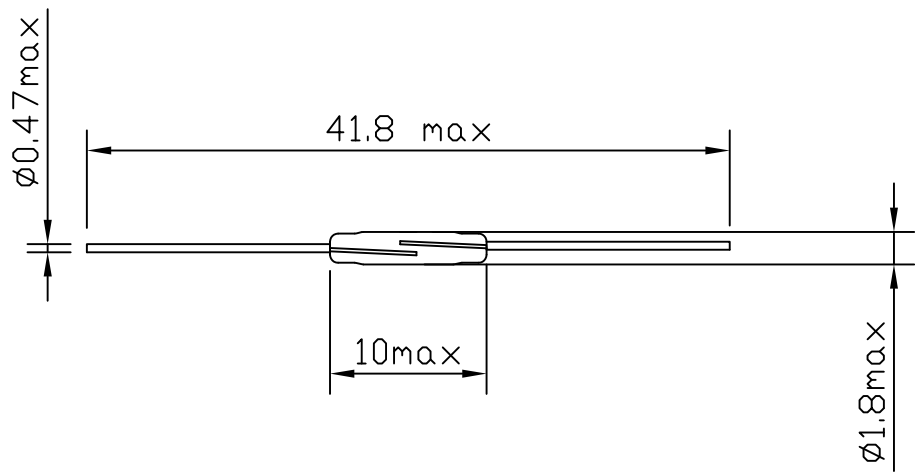


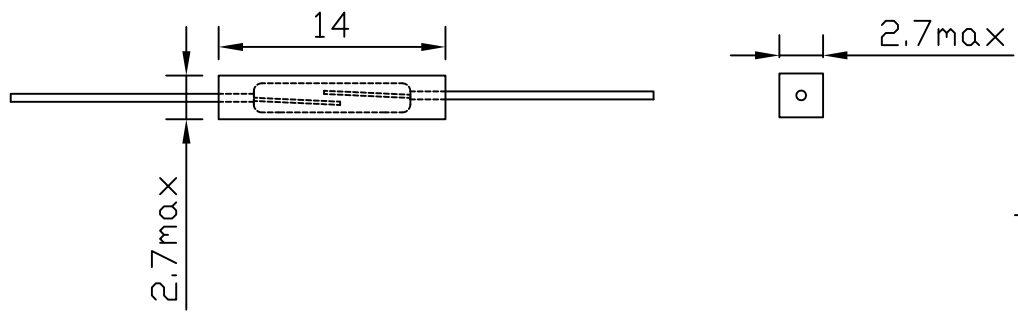
規格說明書

客戶名稱		產品名稱	Position Sensor	產品型號	GPS-14
------	--	------	-----------------	------	--------



干簧管

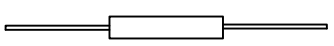
干簧管封裝



Tolerance:
 x. : ±0.2mm
 x.x : ±0.1mm

UNIT : mm
 SCALE : 2:1

修改原因: 爲了便於採購,現將MKA-10109的簧管改用MKA-10110的簧管.



UNIT : mm
 SCALE : 1:1

MATERIAL SPECIFICATION:

1. Sensor Body : A . B . S black	7. Max Switching Voltage : 100 Vdc	13.pull in : MKA10110 AT0811
2. Contact from : A	8.Min Breakdown Voltage : 150 Vdc	14. Electrical Life : 5×10^6 (5 Vdc / 10 mA)
3. Temp Rating : -10 ~ +85°C	9.Max Contact Resistance : 100 mΩ	
4. Max Contact Rating : 10 W	10. Min Insulation Resistance : $10^9 \Omega$	
5.Max Switching Current : 0.5 A	11. Operate Time : 0.4 ms Max	
6.Carry Current : --	12. Release Times : 0.1 ms Max	

	Designed by	Checked by	Drawing by HAI	Drawing date 2004/02/14	Modify date 2005/8/22	Scale 1:1
--	-------------	------------	-------------------	----------------------------	--------------------------	--------------

沅鋒電子有限公司 GE-DING Inc.	Filename: GPS-14_SPC.DWG		
	Drawing NO. GPS-14	Edition 02	Sheet 1