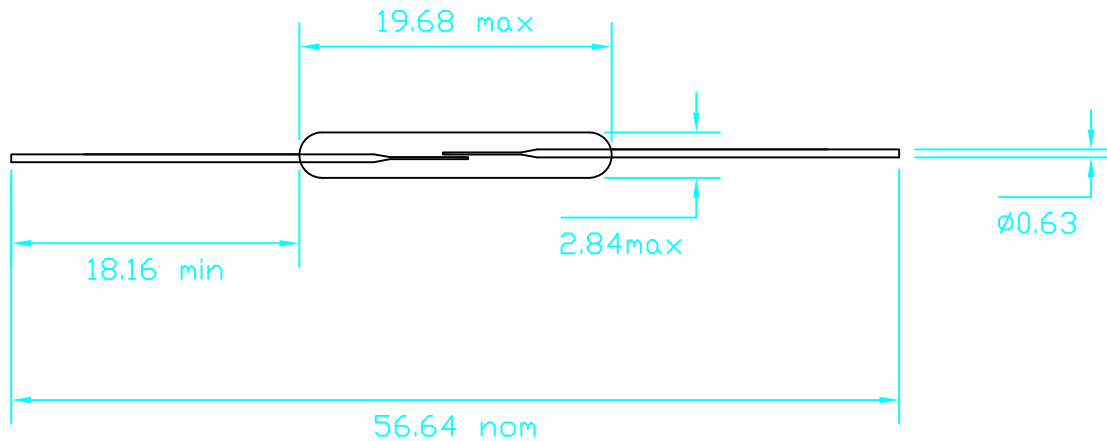


規格承認書

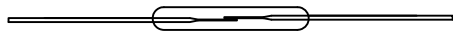
客戶名稱		產品名稱	Reed Switch	產品型號	MRPR-1
------	--	------	-------------	------	--------



Unit : mm
Scale :2:1

磁簧管

Unit : mm
Scale :1:1



一般公差表	線材長度	
	射出合模公差	
	導體長度公差	±5%
	導角公差	±5%
	其它公差	特別公差值依圖面特別標示

MATERIAL SPECIFICATION:

1. Reed Switch : MRPR-1 AT 1723	6.Max Switching Current : 1.0 A	11.Max Contact Capacitance : 0.2pF
2. Contact Form : A	7.Temperature : -40~+125°C	12.Typ. Resonant Frequency: 2.1kHz±400
3. Contact Material : Ru/Rh	8.Min Breakdown Voltage : 250 Vdc	13.12.Max operating Frequency: --HZ
4. Max Contact Rating : 50W	9.Max Contact Resistance : 100 m Ohm	14.Electrical Life: 10 ⁸ (10mVDC,10μA)
5.Max Switching Voltage : 200 Vdc	10.Min Insulation Resistance : 10 ¹⁰ Ohm	15.Test Coil : L4989

Designed by	Checked by	Drawing by GUAN	Drawing Date	Date 2002/09/20	Scale 1:1
-------------	------------	--------------------	--------------	--------------------	--------------

沅鋒電子有限公司
GE-DING Inc.

Filename MRPR-1.DWG	Edition 00	Sheet 1
------------------------	---------------	------------