

**Specification Status: Released**

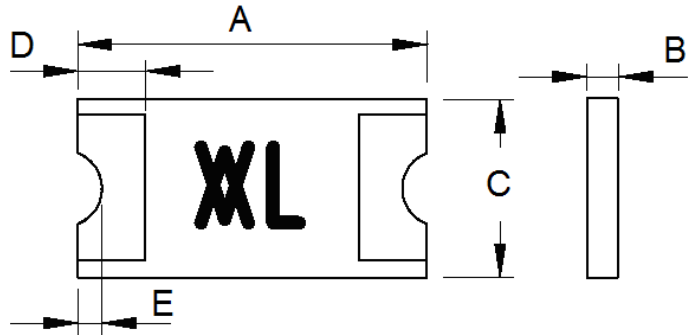
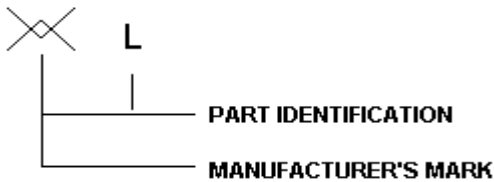
**Maximum Electrical Rating**

**Voltage: 6.0V<sub>DC</sub>**  
**Short Circuit Current: 100A**

**Notes:**

1. All terminations are tin plated.
2. Drawing not to scale

**Marking:**



**TABLE I. DIMENSIONS:**

A		B		C		D		E
MIN	MAX	MIN	MAX	MIN	MAX	MIN	MAX	MIN
3.00	3.40	0.44	0.68	1.37	1.80	0.25	0.75	0.076
(0.118)	(0.134)	(0.017)	(0.027)	(0.054)	(0.071)	(0.010)	(0.030)	(0.003)

mm: \_\_\_\_\_  
in: \_\_\_\_\_

**TABL II. PERFORMANCE RATINGS:**

CURRENT RATINGS**						TIME TO TRIP**	RESISTANCE VALUES		TRIPPED-STATE POWER DISSIPATION**
AMPERES AT 0°C		AMPERES AT 25°C		AMPERES AT 60°C		SECONDS AT 25°C, 8.0A MAX	OHMS AT 25°C		WATTS AT 25°C, 6.0V
HOLD	TRIP	HOLD	TRIP	HOLD	TRIP		MIN	MAX*	MAX
0.92	1.87	0.75	1.50	0.58	1.14	0.1	0.09	0.30	0.8

\*Maximum resistance is measured 1 hour after reflow.

\*\* Values specified were determined using PCB's with 0.030"X1.5 ounce copper traces.

Agency Recognitions: All pending  
Reference Documents: PS300  
Precedence: This specification takes precedence over documents referenced herein.  
Effectivity: Reference documents shall be the issue in effect on the date of invitation for bid.  
CAUTION: Operation beyond the rated voltage or current may result in rupture, electrical arcing or flame.

**Materials Information**

**ROHS Compliant**



**ELV Compliant**



**Pb-Free**



**Halogen Free\***



\* Halogen Free refers to: Br≤900ppm, Cl≤900ppm, Br+Cl≤1500ppm