

Specification Status: Released

Maximum Electrical Rating

Voltage: 6.0V_{DC}
Short Circuit Current: 100A

Notes:

1. All terminations are Tin plated.
2. Drawing not to scale

Marking:

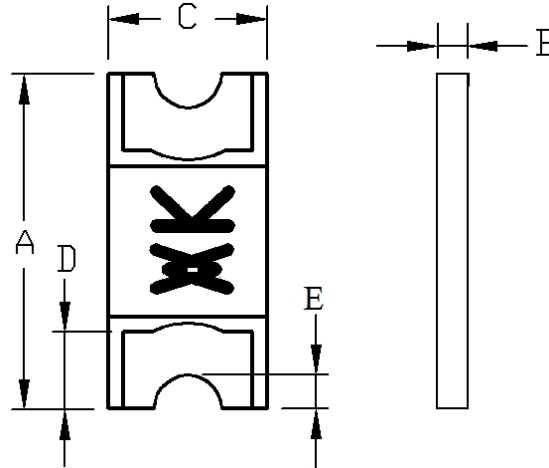
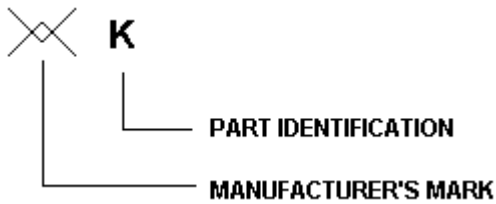


TABLE I. DIMENSIONS:

	A		B		C		D		E
	MIN	MAX	MIN	MAX	MIN	MAX	MIN	MAX	MIN
mm:	3.00	3.4	0.28	0.67	1.37	1.80	0.25	0.75	0.076
in:	(0.118)	(0.134)	(0.011)	(0.026)	(0.054)	(0.071)	(0.010)	(0.030)	(0.003)

TABLE II. PERFORMANCE RATINGS:

CURRENT RATINGS**						TIME TO TRIP **	RESISTANCE VALUES	TRIPPED-STATE POWER DISSIPATION**
AMPERES AT 0°C		AMPERES AT 20°C		AMPERES AT 60°C		SECONDS AT 20°C, 8.0A MAX	OHMS AT 20°C	WATTS AT 20°C, 6.0V MAX
HOLD	TRIP	HOLD	TRIP	HOLD	TRIP		MIN	MAX*
1.3	2.6	1.10	2.20	0.8	1.6	0.1	0.07	0.20

*Maximum resistance is measured 1 hour after reflow.

** Values specified were determined using PCB's with 0.030"X1.5 ounce copper traces.

Agency Recognitions: UL, CSA, TÜV
Reference Documents: PS300
Precedence: This specification takes precedence over documents referenced herein.
Effectivity: Reference documents shall be the issue in effect on the date of invitation for bid.
CAUTION: Operation beyond the rated voltage or current may result in rupture, electrical arcing or flame.

Materials Information

ROHS Compliant

Directive 2002/95/EC
Compliant

ELV Compliant

Directive 2000/53/EC
Compliant

Pb-Free



Halogen Free*



* Halogen Free refers to: Br≤900ppm, Cl≤900ppm, Br+Cl≤1500ppm.