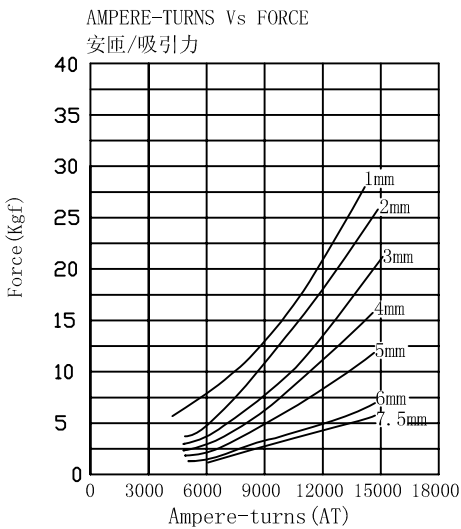
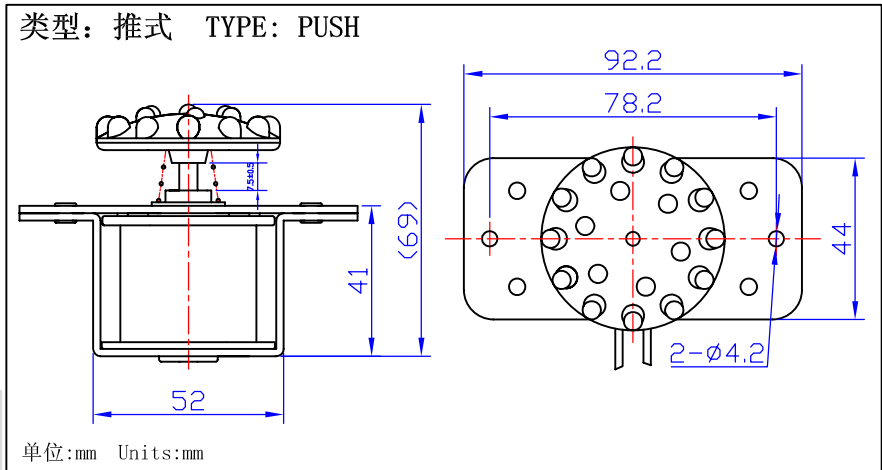


ZHM-1550S Massager Solenoids

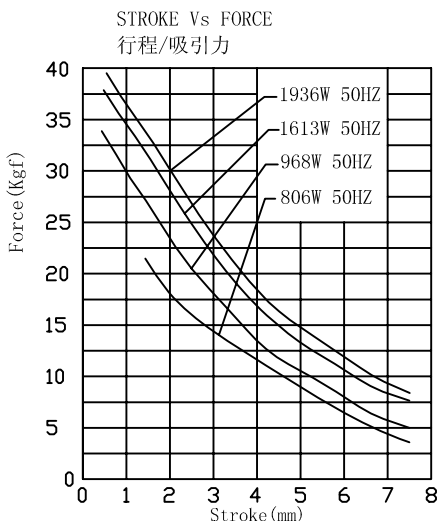


总重量 Total Weight: 520g
应用范围: 用于按摩椅、按摩垫等
APPLICATION: Massage Chair、Massage Pillow



综合特性 GENERAL FEATURES

- 力量: 保持力不低于6Kg
FORCE: THE HOLDING FORCE IS NOT WEAKER THAN 6Kg
- 行程: 0~7.5mm
STROKE: 0~7.5mm
- 温升: 最大100℃
TEMPERATURE RISE: MEST 100 deg
- 寿命: 典型值为100万次(连续)
LIFE: REPETITIVE OPERATION FOR 1MILLION CYCLE (CONTINUOUS)
- 噪音: 空载条件下, 噪音小于60dB
NOISE: EMPYT LOAD, THE NOISE IS LOWER THAN 60 dB
- 频率: 50/60Hz
FREQUENCY: 50/60Hz



COIL DATA线圈资料

Duty cycle (%) = $\frac{\text{"ON" time}}{\text{"ON" time} + \text{"OFF" time}} \times 100\%$ 工作周期(%) = $\frac{\text{工作时间}}{\text{工作时间} + \text{断开时间}} \times 100\%$			连续 Continuous	间断 Intermittent		
			100%	50%	25%	10%
MAX. "on" time in seconds 最大工作时间(秒)						
温控器控制温度(°C)			120° C			
频率(Hz)			50			
Type no.	Resistance (20°C) Ω±10%	No. Turns	VoltS DC 电压			
型号	阻值(Ω) ±10%	线圈匝数				
ZHM-1550S	7.5	1000	110			
	15	1370	110			
	25	1780	220			
	50	2300	220			

ZHM