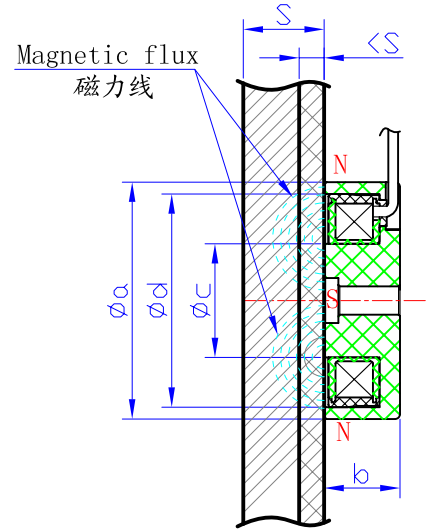
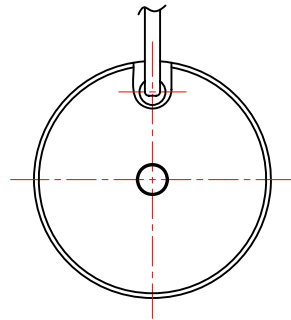


ZHI-5016 Electromagnet Solenoids



总重量 Total Weight: 55g
应用范围: 用于电梯等
APPLICATION: ELEVATOR etc



DIMENSIONS

Type	ϕa	b	ϕc	ϕd	Voltage	Power (W)	Force (kg)	Duty (ED%)
T20	20	20	9	17	24Vcc	4.5	4	30
T30	30	18	12.5	26.5	24Vcc	3.6	15	30
T40	40	26	15.7	37	24Vcc	4.6	40	100
T50	50	28	19.9	46	24Vcc	6.0	55	100
T60	60	30	26.2	55	24Vcc	8.2	80	100
T80	80	40	34	72	24Vcc	19.3	200	100
T100	100	45	42.8	90	24Vcc	23.8	320	100

ZHI

