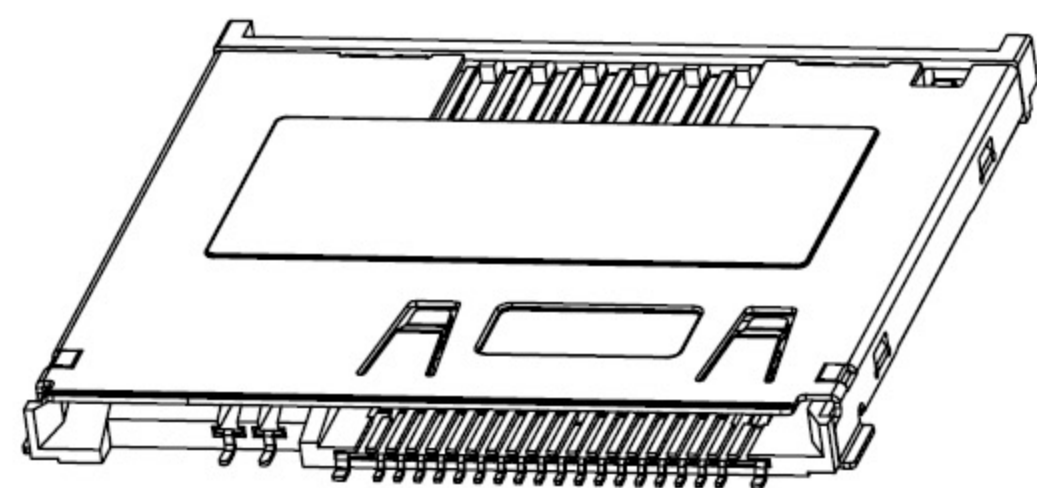
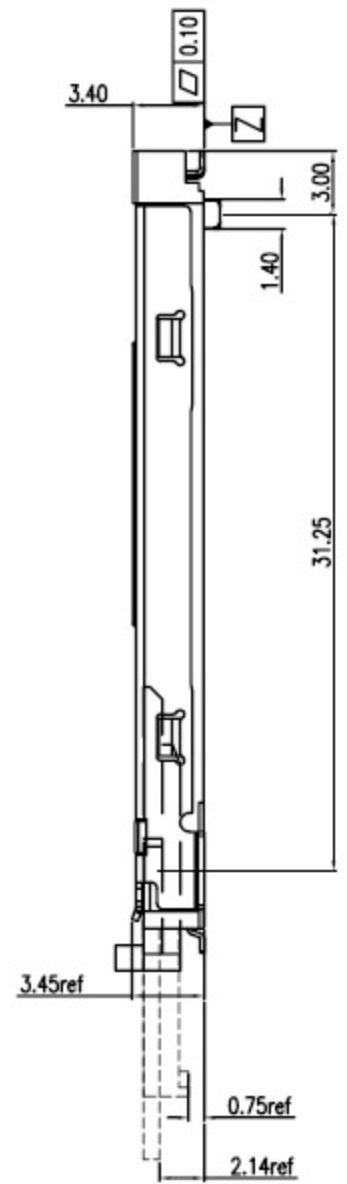
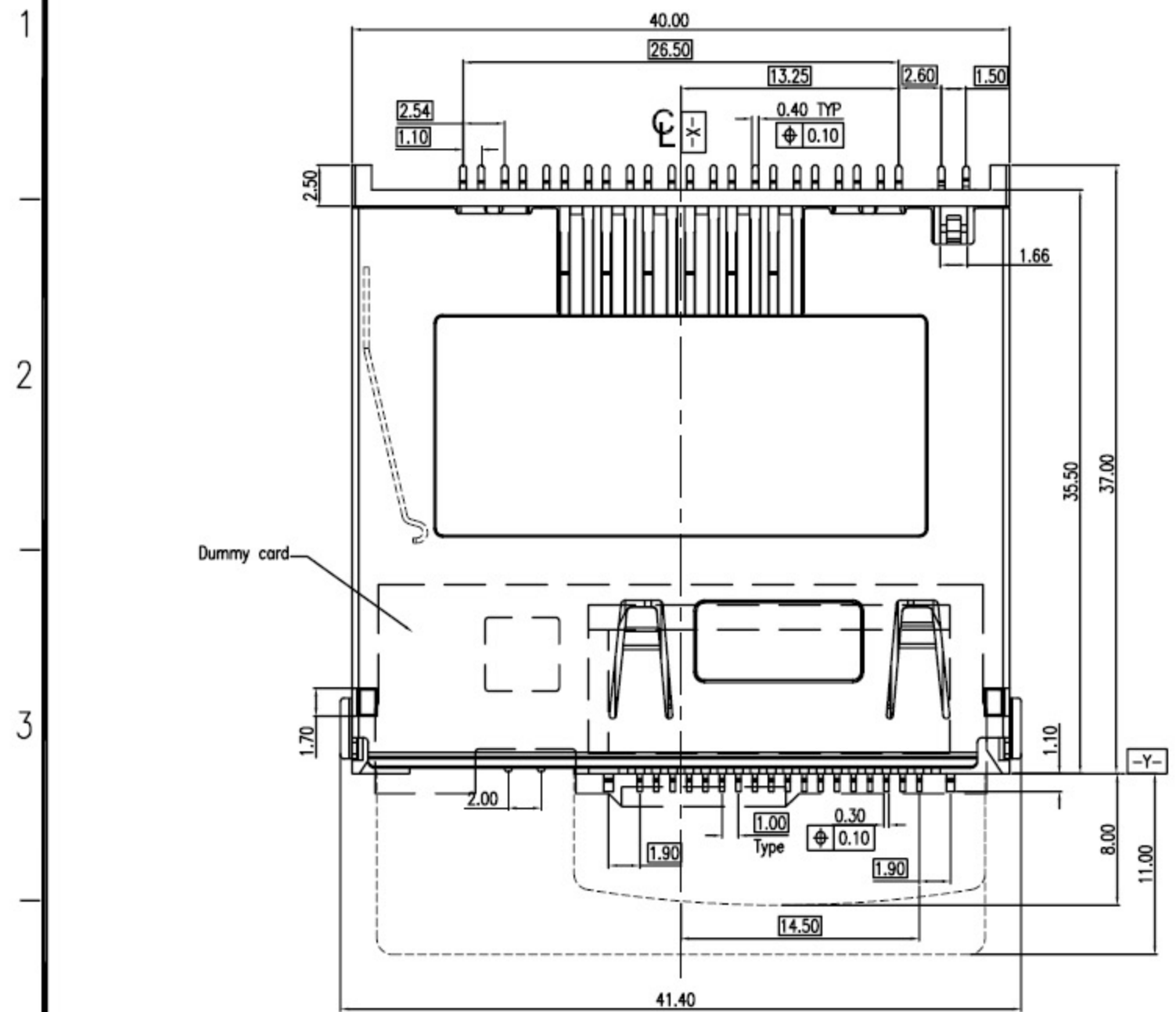


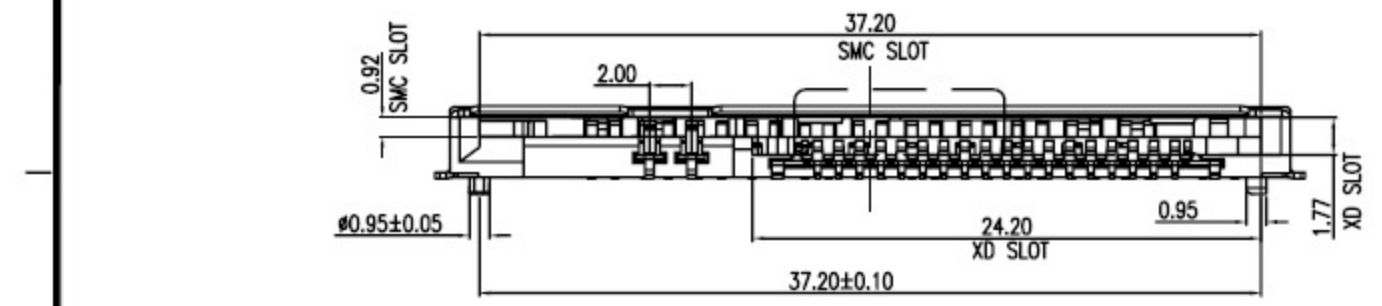
This document is the property of YiDong Precision and is delivered on the express condition that it is not to be disclosed, reproduced or used, in whole or in part, for manufacture or sale by anyone other than YiDong Precision without its prior consent, and that no right is granted to disclose or to use any information in this document.

REVISIONS				
SYM	ECN No.	DESCRIPTION	DATE	APPROVED
A		RELEASE TO PRODUCTION	07.04.03	



- Material:
Housing: High Thermoplastic, UL94V-0
Terminal: Copper Alloy
- Specification:
Withstanding Voltage: 500V AC MAX for 1 minute (SMC&XD)
Insulation Resistance: SMC (1000M Ohms) / XD (100M Ohms)
Current Rating: 0.5A AC/DC (SMC&XD)
Contact resistance: SMC (40m Ohms Max) / XD (100m Ohms Max)
Operating Temperature: -25° - 90°
Durability: 10000 Cycles
- Application:
For Secure Digital and Card reader use
- Ordering Information:
P01-00010-**-**

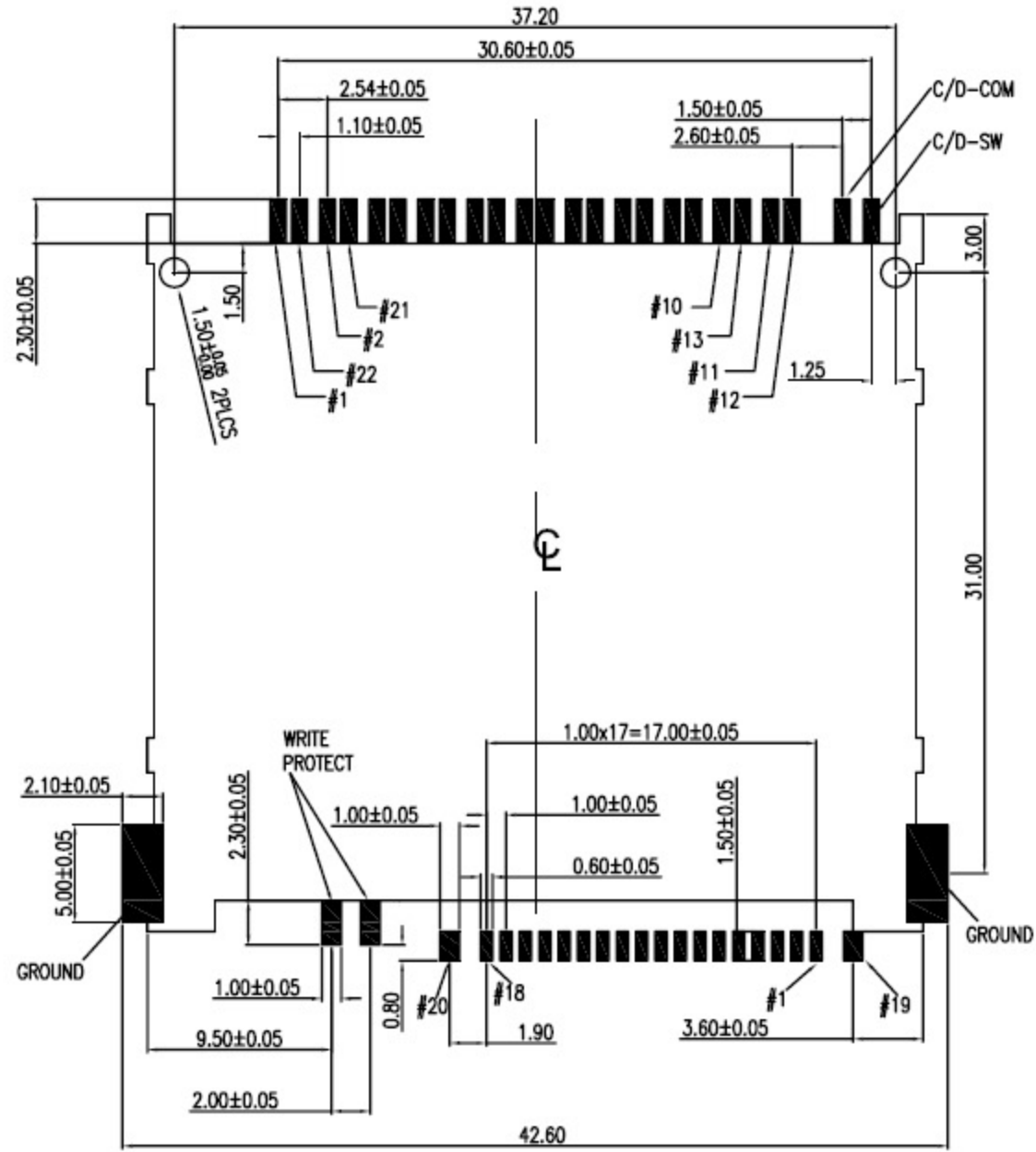
- 01-Contact area plated Au3u², Solder area plated Au
- 02-Contact area plated Au1u², Solder area plated Sn
- 03-Contact area plated Au3u², Solder area plated Sn
- 07-Contact area plated Au5u², Solder area plated Sn
- 08-Contact area plated Au10u², Solder area plated Sn
- 09-Contact area plated Au15u², Solder area plated Sn
- 11-Contact area plated Au5u², Solder area plated Au



DRAWN	Helen	e-celon 东莞市义科龙电子科技有限公司				
CHECKED		TITLE	PART NO.			
APPROVED		SM+XD CONNECTOR-1	P01-00018-**-**			
			DRAWING NO.			
			C-P01-00018			
	UNIT	TOLERANCE	SCALE	SHEET	SIZE	REV.
	MM	.XXX±.10, .XX±.25, .X±.38 ANG±3°	1:1	10F2	A4	A

This document is the property of YiDong Precision and is delivered on the express condition that it is not to be disclosed, reproduced or used, in whole or in part, for manufacture or sale by anyone other than YiDong Precision without its prior consent, and that no right is granted to disclose or to use any information in this document.

REVISIONS				
SYM	ECN No.	DESCRIPTION	DATE	APPROVED
A		RELEASE TO PRODUCTION	07.04.03	



PCB LAYOUT(TOL±0.05)

SM CARD PIN DESIGN

Pin No	Name	Pin No	Name
1#	VGND	12#	VCC
2#	CLE	13#	DATA 4
3#	ALE	14#	DATA 5
4#	WE	15#	DATA 6
5#	WP	16#	DATA 7
6#	DATA 0	17#	LVD
7#	DATA 1	18#	GND
8#	DATA 2	19#	R/B
9#	DATA 3	20#	RE
10#	GND	21#	CE
11#	CD	22#	VCC

XD DEFINITION

PIN NO.	FUNCTION
1/19	CARD DETECT/GND
2	READY/BUSY
3	READ ENABLE
4	CARD ENABLE
5	COMMAND LATCH ENABLE
6	ADDRESS LATCH ENABLE
7	WRITE ENABLE
8	WRITE PROTECT
9	GND
10	DATA0
11	DATA1
12	DATA2
13	DATA3
14	DATA4
15	DATA5
16	DATA6
17	DATA7
18/20	VCC

DRAWN	Helen	e-celon 东莞市义科龙电子科技有限公司			
CHECKED		TITLE	PART NO.		
APPROVED		SM+XD CONNECTOR-1	P01-00018-**		
			DRAWING NO.		
			C-P01-00018		
	UNIT	TOLERANCE	SCALE	SHEET	SIZE
	MM	.XXX±.10, .XX±.25, .X±.38 ANG±3°	1:1	20F2	A4
					REV.
					A