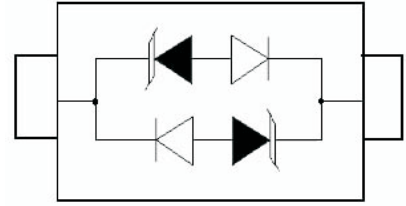


## LTBVxxC Ultra Low Capacitance TVS



## 1、FEATURES

- ⑧ IEC 61000-4-2(ESD)15KV(air),?KV(contact)
- ⑧ 350 Watts peak pulse power(tp=8/20μS)
- ⑧ Ultra low capacitance: **1.5pF** maximum
- ⑧ Low clamping voltage
- ⑧ Small package: SOD-323



## 2、PART NUMBER AND ELECTRICAL PARAMETER @ T=25°C RH = 45%-75%

Part Number	Marking	VDRM	IDRM	VBR	IR	Vc	Ipp	Vc	Ipp	CO
		V	礎	V	mA	V	A	V	A	pF
			MAX	MIN		MAX		MAX		MAX
LTBV03C	CC	3	20	4	1	5.15	1	13.9	12	1.5
LTBV05C	AC	5	5	6	1	9.80	1	18.3	8	1.5
LTBV08C	BC	8	2	8.5	1	13.4	1	18.5	8	1.5
LTBV12C	DC	12	1	13.3	1	19.0	1	28.6	6	1.5
LTBV15C	EC	15	1	16.7	1	24.0	1	31.8	5	1.5
LTBV24C	HC	24	1	26.7	1	43.0	1	56.0	3	1.5

- ①、Off-state capacitance is measured in  $V_{DC}=0V, V_{RMS}=1V, F=1MHz$
- ②、All measurements are made at an ambient temperature of 25°C
- ③、Surge Waveform: 8/20μS

## 3、PART NUMBERING SYSTEM

LTBV xx \_\_ C \_\_

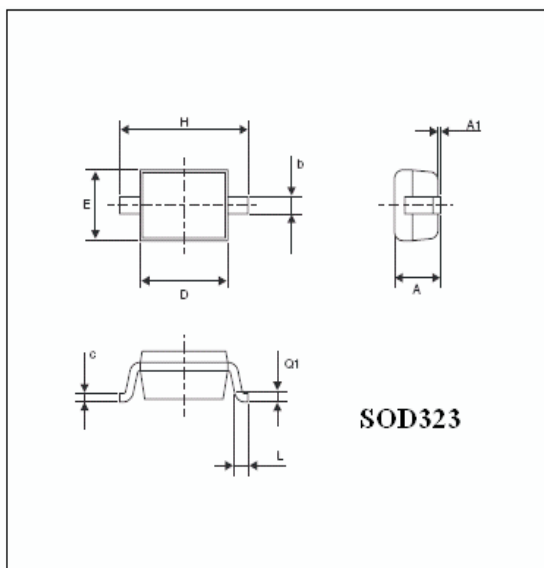
(1) (2) ( 3)

(1) LT Transien t Voltage Suppressor

(2) Series: 03, 05, 08, 12, 15, 24 etc.

(3) Ultra Low Capacitance Series

## 4、DIMENSIONS AND MARKING



Ref.	Dimensions			
	Millimeters		Inches	
	Min.	Max.	Min.	Max.
A		1.17		0.046
A1	0	0.1	0	0.004
b	0.25	0.44	0.01	0.017
c	0.1	0.25	0.004	0.01
D	1.52	1.8	0.06	0.071
E	1.11	1.45	0.044	0.057
H	2.3	2.7	0.09	0.106
L	0.1	0.46	0.004	0.02
Q1	0.1	0.41	0.004	0.016