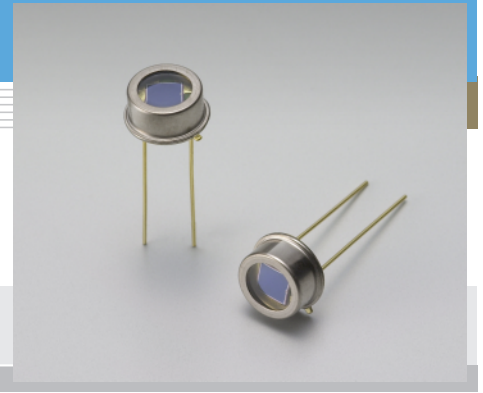


Si PIN photodiode S1223 series

For visible to IR, precision photometry



Features

- High sensitivity
- High reliability
- High-speed response
S1223: $f_c=30$ MHz
S1223-01: $f_c=20$ MHz
- Low capacitance

Applications

- Optical measurement equipment
- Analytical equipment, etc.

General ratings

Parameter	Symbol	S1223	S1223-01	Unit
Window material	-	borosilicate glass		-
Package	-	TO-5		-
Active area size	A	2.4 × 2.8	3.6 × 3.6	mm
Effective active area	-	6.6	13	mm ²

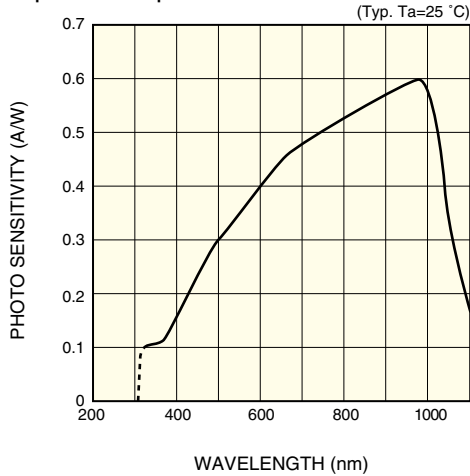
Absolute maximum ratings

Parameter	Symbol	S1223	S1223-01	Unit
Reverse voltage	V_R Max.	30		V
Power dissipation	P	100		mW
Operating temperature	T_{opr}	-40 to +100		°C
Storage temperature	T_{stg}	-55 to +125		°C

Electrical and optical characteristics ($T_a=25$ °C)

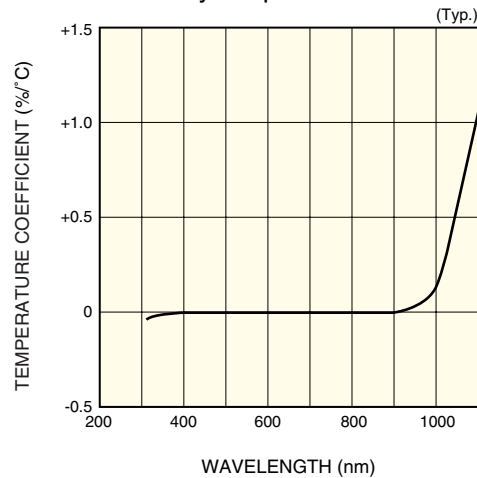
Parameter	Symbol	Condition	S1223			S1223-01			Unit
			Min.	Typ.	Max.	Min.	Typ.	Max.	
Spectral response range	λ		-	320 to 1100	-	-	320 to 1100	-	nm
Peak sensitivity wavelength	λ_p		-	960	-	-	960	-	nm
Photo sensitivity	S	$\lambda=\lambda_p$	-	0.6	-	-	0.6	-	A/W
		$\lambda=660$ nm	-	0.45	-	-	0.45	-	
		$\lambda=780$ nm	-	0.52	-	-	0.52	-	
		$\lambda=830$ nm	-	0.54	-	-	0.54	-	
Short circuit current	I_{sc}	100 I_x	5	6.3	-	10	13	-	μ A
Dark current	I_D	$V_R=20$ V	-	0.1	10	-	0.2	10	nA
Temp. coefficient of I_D	T_{CID}		-	1.15	-	-	1.15	-	times/°C
Cut-off frequency	f_c	$V_R=20$ V, -3 dB	-	30	-	-	20	-	MHz
Terminal capacitance	C_t	$V_R=20$ V, $f=1$ MHz	-	10	-	-	20	-	pF
Noise equivalent power	NEP	$V_R=20$ V	-	9.4×10^{-15}	-	-	1.3×10^{-14}	-	W/Hz ^{1/2}

Spectral response



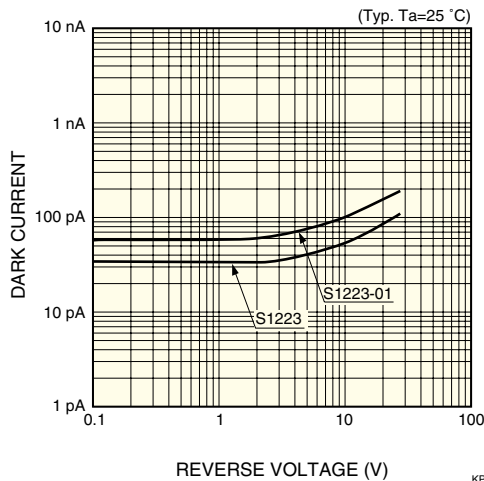
KPINB0143EA

Photo sensitivity temperature characteristic



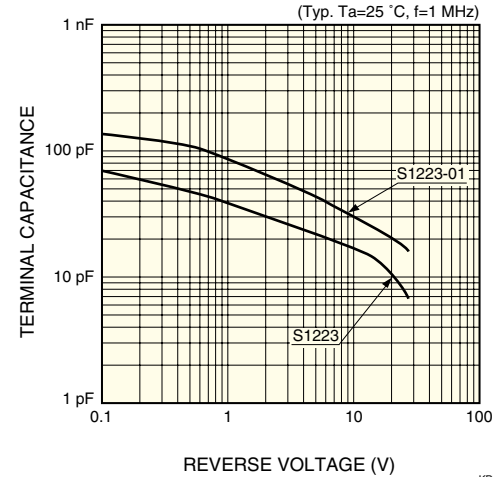
KPINB0144EA

Dark current vs. reverse voltage



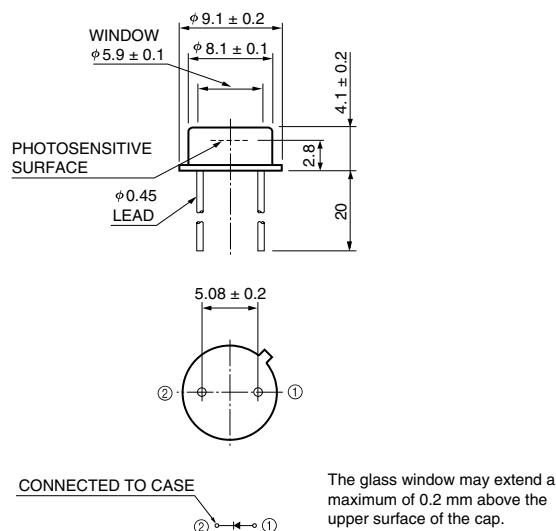
KPINB0145EA

Terminal capacitance vs. reverse voltage



KPINB0146EA

Dimensional outline (unit: mm)



www.nj-hlic.com, www.nj-hlic.dzsc.com, www.hldz-kj.ic37.com

南京泓陆电子科技有限公司 **NanJing HongLu Electronics Co.,Ltd**

联系人: 殷浩 先生 手机: 15062226220(南京)/13045605025(上海)

电话: 025-52158881 / 66031668 传真: 025-52158881

QQ: 244038068 / 516003771 E-mail: yfm_hao@163.com

HAMAMATSU

Information furnished by HAMAMATSU is believed to be reliable. However, no responsibility is assumed for possible inaccuracies or omissions. Specifications are subject to change without notice. No patent rights are granted to any of the circuits described herein. ©2001 Hamamatsu Photonics K.K.

HAMAMATSU PHOTONICS K.K., Solid State Division

1126-1 Ichino-cho, Hamamatsu City, 435-8558 Japan, Telephone: (81) 053-434-3311, Fax: (81) 053-434-5184, <http://www.hamamatsu.com>

U.S.A.: Hamamatsu Corporation: 360 Foothill Road, P.O.Box 6910, Bridgewater, N.J. 08807-0910, U.S.A., Telephone: (1) 908-231-0960, Fax: (1) 908-231-1218

Germany: Hamamatsu Photonics Deutschland GmbH: Arzbergerstr. 10, D-82211 Herrsching am Ammersee, Germany, Telephone: (49) 08152-3750, Fax: (49) 08152-2658

France: Hamamatsu Photonics France S.A.R.L.: 8, Rue du Saule Trapu, Parc du Moulin de Massy, 91882 Massy Cedex, France, Telephone: 33-(1) 69 53 71 00, Fax: 33-(1) 69 53 71 10

United Kingdom: Hamamatsu Photonics UK Limited: 2 Howard Court, 10 Tewin Road, Welwyn Garden City, Hertfordshire AL7 1BW, United Kingdom, Telephone: (44) 1707-294888, Fax: (44) 1707-325777

North Europe: Hamamatsu Photonics Norden AB: Smidesvägen 12, SE-171 41 Solna, Sweden, Telephone: (46) 8-509-031-00, Fax: (46) 8-509-031-01

Italy: Hamamatsu Photonics Italia S.R.L.: Strada della Moia, 1/E, 20020 Arese, (Milano), Italy, Telephone: (39) 02-935-81-733, Fax: (39) 02-935-81-741