

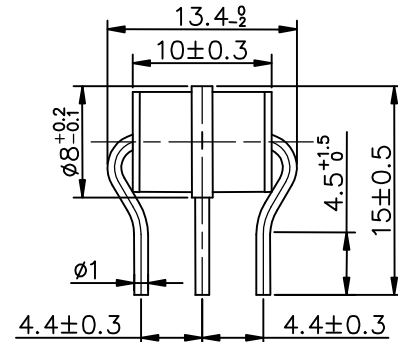
### 3-Electrode Gas Tube Arrester

UN3E8-230HM

φ 8×10

10KA×2

#### Dimension



Unit:mm

Nickel-plated

Electrical Specifications			Applications	
DC Spark-over Voltage at 100V/S	230±20%	V	u	Branch exchange(MDF)
Impulse Spark-over Voltage at 100V/μs at 1KV/μs	<600	V	u	Telephone / Fax / modem protection
	<700	V	u	Date/Single line protection
Life: Impulse Discharge current 8/20μs (±5 times) 10/1000μs (300 times) AC Discharge current (1S,5times interval 3 minutes)	10×2	KA	u	XDSL-splitter
	100	A	u	Cable TV / Coaxial cable protection
	10×2	A	u	Tower mounted amplifier
Insulation resistance at DC 100V	>1000	MΩ	u	Consumer electronics
Electrode Capacitance at 1MHz	<1.5	pF	u	Non-Radioactive
Arc Voltage at 1A	~25	V	u	RoHS Compliant
Glow Voltage at 1mA	~70	V	u	LOW Capacitance
Holdover Voltage at 100mA, <150mS	135	V	u	High insulation resistance
Transverse delay time	< 0.2	μs	u	Fast response-time
Weight	~2.1	g	u	Standard size
Operation and storage Temperature	-40~+90	°C		
Marking, Black	<b>UNION</b> <b>230H-YY</b> 230 -Nominal voltage H -20KA YY -Year of production			

#### Notes:

- Terms in accordance with ITU-T K.12 and GB/T 9043-2008
- At delivery AQL 0.65 level II, DIN ISO 2859
- After life test:  
DC Spark-over Voltage at 100V/S : 230±30%  
Impulse Spark-over Voltage at 1KV/μs<800V