



## DATA SHEET

● DEVICE NUMBER : BL-HJEGKB534S-TRB  
(For:5mA)

| SHEET<br>DATE | 1   | 2   | 3   | 4   | 5   | 6   | 7   | 8   |  |  | CONTENTS                                  |
|---------------|-----|-----|-----|-----|-----|-----|-----|-----|--|--|---|
| 2005.10.05    | 1.0 | 1.0 | 1.0 | 1.0 | 1.0 | 1.0 | 1.0 | 1.0 |  |  | Original Released                         |
| 2005.12.26    | -   | 1.1 | -   | -   | -   | -   | -   | -   |  |  | Change Angle                              |
| 2006.10.12    | -   | 1.2 | -   | 1.1 | 1.1 | -   | -   | -   |  |  | JE、B5 Change IV;<br>GK Add λ d 530-535 nm |
|               |     |     |     |     |     |     |     |     |  |  |   |
|               |     |     |     |     |     |     |     |     |  |  |   |
|               |     |     |     |     |     |     |     |     |  |  |   |
|               |     |     |     |     |     |     |     |     |  |  |   |
|               |     |     |     |     |     |     |     |     |  |  |   |
|               |     |     |     |     |     |     |     |     |  |  |   |
|               |     |     |     |     |     |     |     |     |  |  |   |
|               |     |     |     |     |     |     |     |     |  |  |   |
|               |     |     |     |     |     |     |     |     |  |  |   |
|               |     |     |     |     |     |     |     |     |  |  |   |
|               |     |     |     |     |     |     |     |     |  |  |   |
|               |     |     |     |     |     |     |     |     |  |  |   |

佰鴻工業股份有限公司  
 BRIGHT LED ELECTRONICS CORP.  
 台北縣板橋市和平路 19 號 3 樓  
 3F., No. 19, Ho Ping Road, Pan Chiao City,  
 Taipei, Taiwan, R. O. C.  
 Tel: 886-2-29591090  
 Fax: 886-2-29547006/29558809  
[www.brtled.com](http://www.brtled.com)

| APPROVED | DRAWER |
|----------|--------|
|          |        |

### ● Features:

1. Emitted Color : Super Orange Red ,Green and Super Blue
2. Lens Appearance : Water Clear
3. Multi-color type.
4. 2.7x1.0x1.35mm standard package
5. Suitable for all SMT assembly methods.
6. Compatible with infrared and vapor phase reflow solder process.
7. Compatible with automatic placement equipment.
8. This product doesn't contain restriction Substance, comply ROHS standard.

### ● Applications:

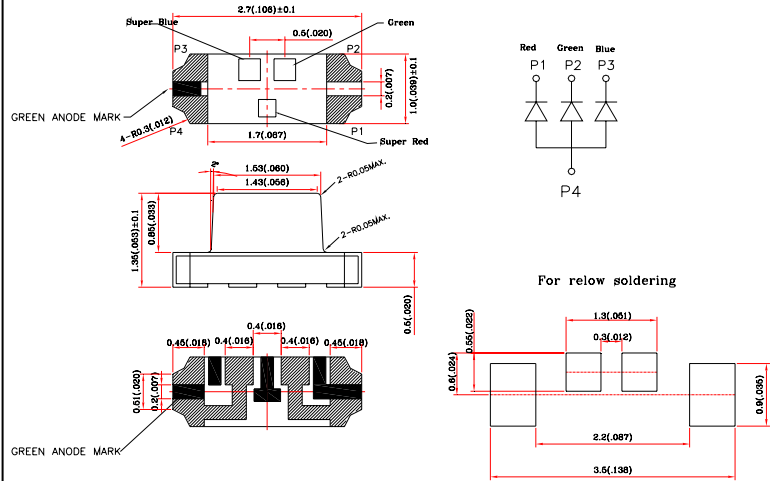
1. Automotive : Dashboards, stop lamps, turn signals.
2. Backlighting : LCDs, Key pads advertising.
3. Status indicators : Consumer & industrial electronics.
4. General use.

### ● Absolute Maximum Ratings(Ta=25°C)

| Parameter                | Symbol          | Super Orange Red | Green | Super Blue | Unit |
|--------------------------|-----------------|------------------|-------|------------|------|
| Power Dissipation        | Pd              | 100              | 120   | 120        | mW   |
| Forward Current          | I <sub>F</sub>  | 30               | 30    | 30         | mA   |
| Peak Forward Current * 1 | I <sub>FP</sub> | 100              | 100   | 100        | mA   |
| Reverse Volage           | V <sub>R</sub>  | 5                |       |            | V    |
| Operating Temperature    | Topr            | -25°C~80°C       |       |            | -    |
| Storage Temperature      | Tstg            | -30°C~85°C       |       |            | -    |
| Soldering Temperature    | Tsol            | See Page 7       |       |            | -    |

\* 1 Condition for I<sub>FP</sub> is pulse of 1/10 duty and 0.1msec width.

### ● Package Dimensions:



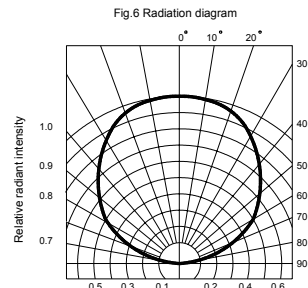
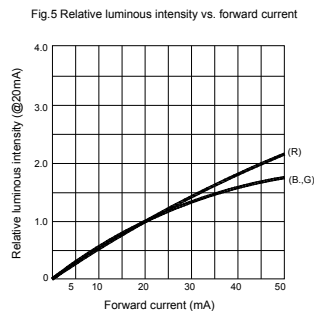
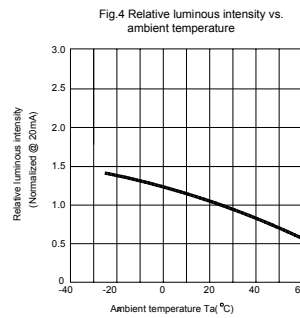
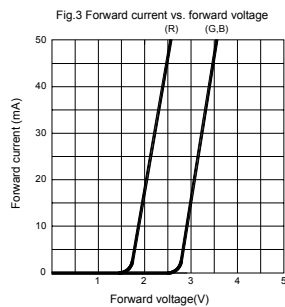
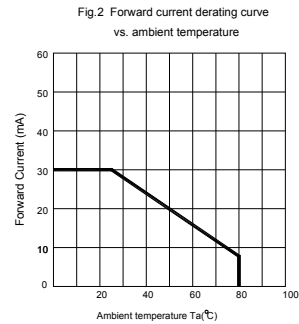
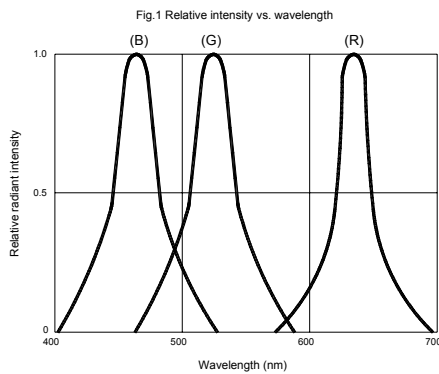
### NOTES:

1. All dimensions are in millimeters (inches).
2. Tolerance is  $\pm 0.10\text{mm}$  (0.004") unless otherwise specified.
3. Specifications are subject to change without notice.

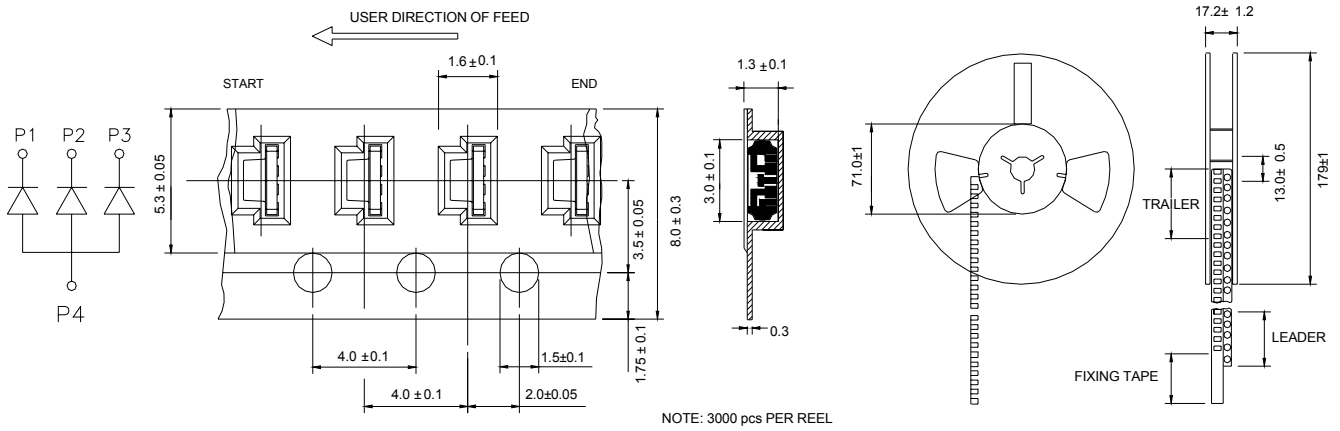
### ● Electrical and optical characteristics(Ta=25°C)

| Parameter                | Symbol            | Condition           | Color                                   | Min.               | Typ.              | Max.              | Unit |
|--------------------------|-------------------|---------------------|---|--------------------|-------------------|-------------------|------|
| Forward Voltage          | V <sub>f</sub>    | I <sub>F</sub> =5mA | Super Orange Red<br>Green<br>Super Blue |                    | 1.8<br>2.8<br>2.8 | 2.4<br>3.2<br>3.2 | V    |
| Luminous Intensity       | I <sub>v</sub>    | I <sub>F</sub> =5mA | Super Orange Red<br>Green<br>Super Blue | 18.5<br>94<br>12.3 | 30<br>180<br>25   | -                 | mcd  |
| Reverse Current          | I <sub>R</sub>    | V <sub>R</sub> =5V  | Super Orange Red<br>Green<br>Super Blue | -                  | -                 | 100<br>1<br>1     | μA   |
| Peak Wave Length         | λ <sub>p</sub>    | I <sub>F</sub> =5mA | Super Orange Red<br>Green<br>Super Blue | -                  | 630<br>525<br>470 | -                 | nm   |
| Dominant Wave Length     | λ <sub>d</sub>    | I <sub>F</sub> =5mA | Super Orange Red<br>Green<br>Super Blue | 615<br>520<br>470  | -                 | 625<br>535<br>475 | nm   |
| Spectral Line Half-width | Δλ                | I <sub>F</sub> =5mA | Super Orange Red<br>Green<br>Super Blue | -                  | 17<br>30<br>30    | -                 | nm   |
| Veiwng Angle             | 2θ <sub>1/2</sub> | I <sub>F</sub> =5mA | Super Orange Red<br>Green<br>Super Blue | -                  | 120               | -                 | deg  |

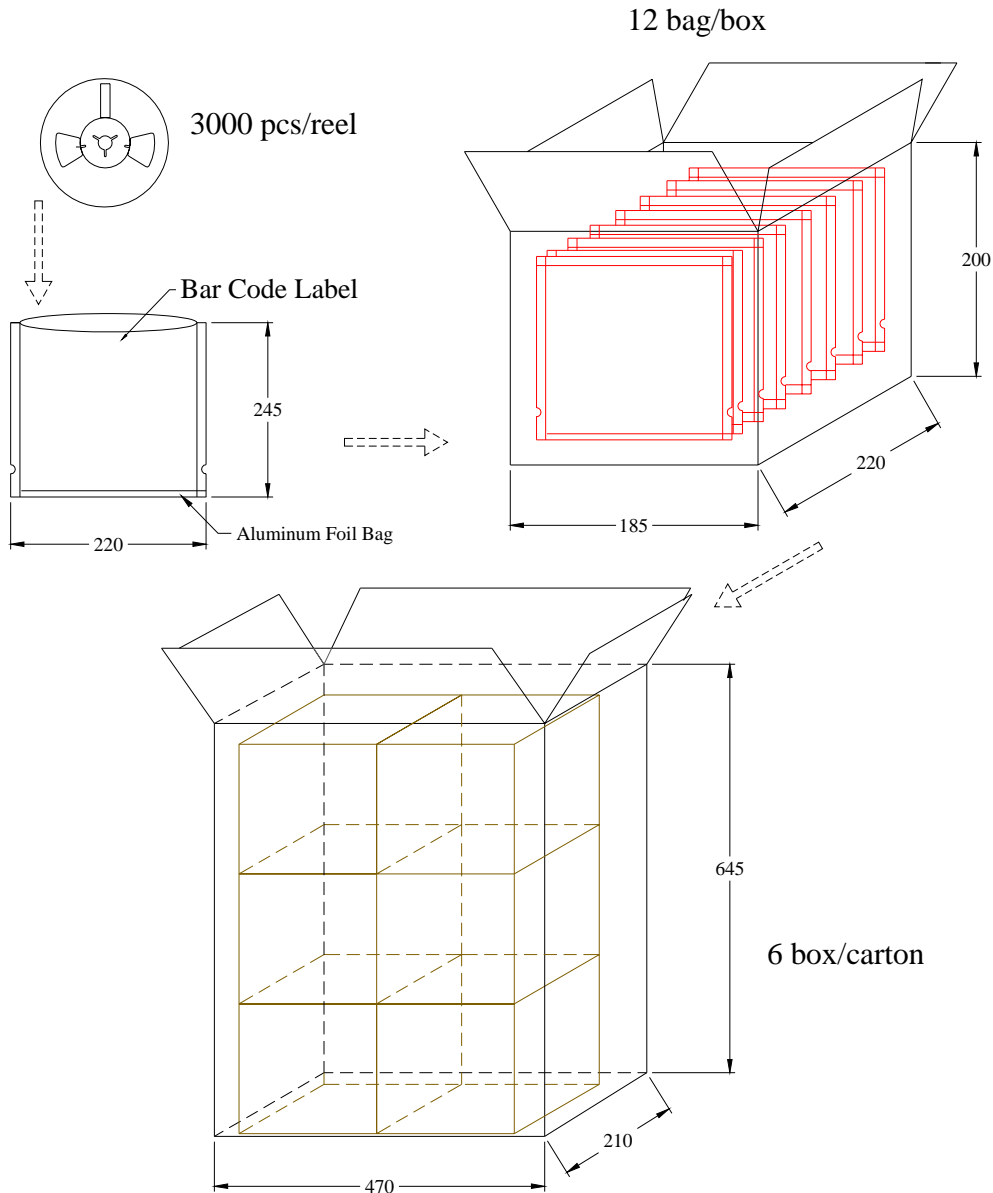
### ● Typical Electro-Optical Characteristics Curves



### ● Tapping and packaging specifications(Units: mm)



### ● Package Method:(unit: mm)Vacuum



● **Bin Limits**

Intensity Bin Limits (JE) (5mA)

| BIN CODE | Min. (mcd) | Max. (mcd) |
|----------|------------|------------|
| L        | 18.5       | 28.0       |
| M        | 28.0       | 42.0       |
| N        | 42.0       | 63.0       |
| P        | 63.0       | 94.0       |

Tolerance for each Bin limit is  $\pm 15\%$ .

Intensity Bin Limits (GK) (5mA)

| BIN CODE | Min. (mcd) | Max. (mcd) |
|----------|------------|------------|
| Q        | 94         | 140        |
| R        | 140        | 210        |
| S        | 210        | 317        |
| T        | 317        | 475        |

Tolerance for each Bin limit is  $\pm 15\%$ .

Color Bin Limits (GK) (5mA)

| BIN CODE | Min. (nm) | Max. (nm) |
|----------|-----------|-----------|
| 6        | 520       | 525       |
| 7        | 525       | 530       |
| 8        | 530       | 535       |

Tolerance for each Bin limit is  $\pm 1\text{ nm}$ .

$V_F$  Bin Limits (GK) (5mA)

| BIN CODE | Min.(v) | Max.(v) |
|----------|---------|---------|
| E        | 2.4     | 2.6     |
| F        | 2.6     | 2.8     |
| G        | 2.8     | 3.0     |
| H        | 3.0     | 3.2     |

Tolerance for each Bin limit is  $\pm 0.05\text{ V}$ .

### Intensity Bin Limits (B5) (5mA)

| BIN CODE | Min. (mcd) | Max. (mcd) |
|----------|------------|------------|
| K        | 12.3       | 18.5       |
| L        | 18.5       | 28.0       |
| M        | 28.0       | 42.0       |
| N        | 42.0       | 63.0       |

Tolerance for each Bin limit is  $\pm 15\%$ .

### Color Bin Limits (B5) (5mA)

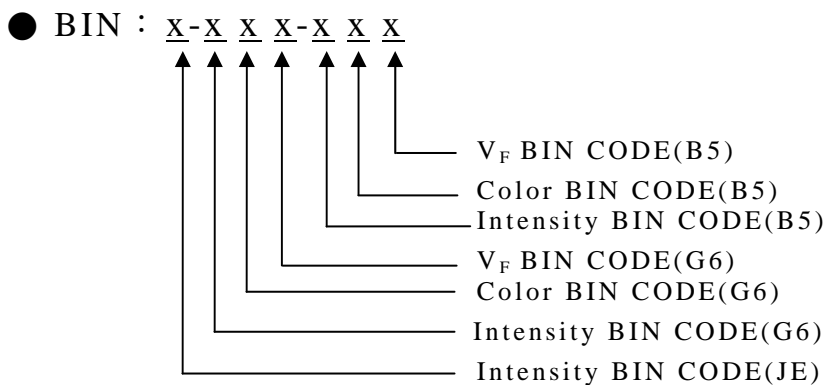
| BIN CODE | Min. (nm) | Max. (nm) |
|----------|-----------|-----------|
| 5        | 470       | 475       |

Tolerance for each Bin limit is  $\pm 1$  nm.

### V<sub>F</sub> Bin Limits (B5) (5mA)

| BIN CODE | Min.(v) | Max.(v) |
|----------|---------|---------|
| E        | 2.4     | 2.6     |
| F        | 2.6     | 2.8     |
| G        | 2.8     | 3.0     |
| H        | 3.0     | 3.2     |

Tolerance for each Bin limit is  $\pm 0.05$  V.



## ● Reliability Test

| Classification     | Test Item                              | Reference Standard  | Test Conditions  | Result |
|--------------------|--|---|--|--------|
| Endurance Test     | Operation Life                         | MIL-STD-750:1026<br>MIL-STD-883:1005<br>JIS-C-7021 :B-1                     | Connect with a power $I_f=20\text{mA}$<br>$T_a$ =Under room temperature<br>Test time=1,000hrs  | 0/20   |
|                    | High Temperature High Humidity Storage | MIL-STD-202:103B<br>JIS-C-7021 :B-11  | $T_a=+65^\circ\text{C}\pm 5^\circ\text{C}$<br>RH=90%-95%<br>Test time=240hrs   | 0/20   |
|                    | High Temperature Storage               | MIL-STD-883:1008<br>JIS-C-7021 :B-10  | High $T_a=+85^\circ\text{C}\pm 5^\circ\text{C}$<br>Test time=1,000hrs  | 0/20   |
|                    | Low Temperature Storage                | JIS-C-7021 :B-12  | Low $T_a=-35^\circ\text{C}\pm 5^\circ\text{C}$<br>Test time=1,000hrs   | 0/20   |
| Environmental Test | Temperature Cycling                    | MIL-STD-202:107D<br>MIL-STD-750:1051<br>MIL-STD-883:1010<br>JIS-C-7021 :A-4 | $-35^\circ\text{C} \sim +25^\circ\text{C} \sim +85^\circ\text{C} \sim +25^\circ\text{C}$<br>60min 20min 60min 20min<br>Test Time=5cycle                  | 0/20   |
|                    | Thermal Shock                          | MIL-STD-202:107D<br>MIL-STD-750:1051<br>MIL-STD-883:1011                    | $-35^\circ\text{C}\pm 5^\circ\text{C} \sim +85^\circ\text{C}\pm 5^\circ\text{C}$<br>20min 20min<br>Test Time=10cycle                                     | 0/20   |
|                    | Solder Resistance                      | MIL-STD-202:201A<br>MIL-STD-750:2031<br>JIS-C-7021 :A-1                     | Preheating :<br>$140^\circ\text{C}-160^\circ\text{C}$ , within 2 minutes.<br>Operation heating :<br>$260^\circ\text{C}$ (Max.), within 10seconds. (Max.) | 0/20   |

## ● Judgment criteria of failure for the reliability

| Measuring items    | Symbol                  | Measuring conditions | Judgement criteria for failure |
|--------------------|-------------------------|----------------------|--------------------------------|
| Forward voltage    | $V_F$ ( V )             | $I_F=20\text{mA}$    | Over $U_x1.2$                  |
| Reverse current    | $I_R$ ( $\mu\text{A}$ ) | $V_R=5\text{V}$      | Over $U_x2$                    |
| Luminous intensity | $I_v$ ( mcd )           | $I_F=20\text{mA}$    | Below $SX0.5$                  |

Note: 1.U means the upper limit of specified characteristics. S means initial value.

2.Measurment shall be taken between 2 hours and after the test pieces have been returned to normal ambient conditions after completion of each test.

## ● Soldering :

### 1. Manual Of Soldering

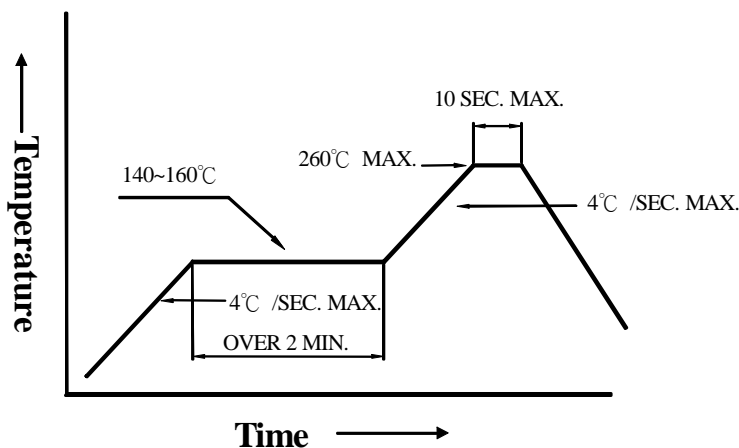
The temperature of the iron tip should not be higher than 300°C (572°F) and Soldering within 3 seconds per solder-land is to be observed.

### 2. Reflow Soldering

Preheating : 140°C~160°C ±5°C ,within 2 minutes.

Operation heating : 260°C (Max.) within 10 seconds.(Max)

Gradual Cooling (Avoid quenching).

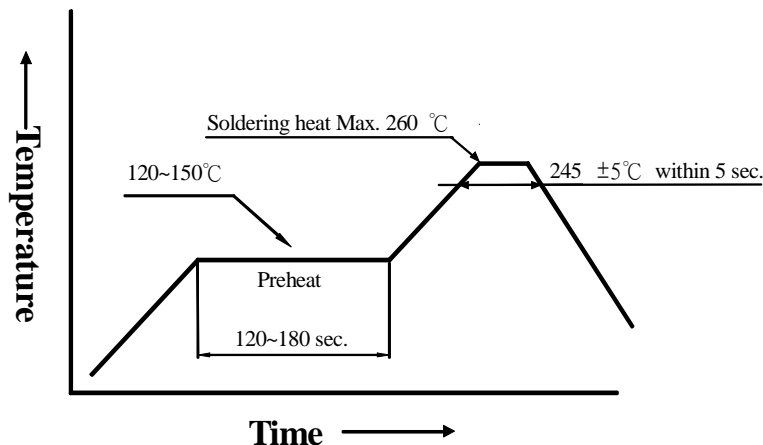


### 3. DIP soldering (Wave Soldering) :

Preheating : 120°C~150°C ,within 120~180 sec.

Operation heating : 245°C ±5°C within 5 sec. 260°C (Max)

Gradual Cooling (Avoid quenching).



## ● Handling :

Care must be taken not to cause to the epoxy resin portion of BRIGHT LEDs while it is exposed to high temperature.

Care must be taken not rub the epoxy resin portion of BRIGHT LEDs with hard or sharp article such as the sand blast and the metal hook.



## ● Notes for designing:

Care must be taken to provide the current limiting resistor in the circuit so as to drive the BRIGHT LEDs within the rated figures. Also, caution should be taken not to overload BRIGHT LEDs with instantaneous voltage at the turning ON and OFF of the circuit.

When using the pulse drive care must be taken to keep the average current within the rated figures. Also, the circuit should be designed so as to be subjected to reverse voltage when turning off the BRIGHT LEDs.

## ● Storage:

In order to avoid the absorption of moisture, it is recommended to solder BRIGHT LEDs as soon as possible after unpacking the sealed envelope.

If the envelope is still packed, to store it in the environment as following:

- (1) Temperature : 5°C-30°C (41°F) Humidity : RH 60% Max.
- (2) After this bag is opened, devices that will be applied to infrared reflow, vapor-phase reflow, or equivalent soldering process must be:
  - a. Completed within 24 hours.
  - b. Stored at less than 30% RH.
- (3) Devices require baking before mounting, if:
  - (2) a or (2) b is not met.
- (4) If baking is required, devices must be baked under below conditions:
  - 12 hours at 60°C±3°C.

## ● Package and Label of Products:

- (1) Package: Products are packed in one bag of 3000 pcs (one taping reel) and a label is attached on each bag.
- (2) Label:

