

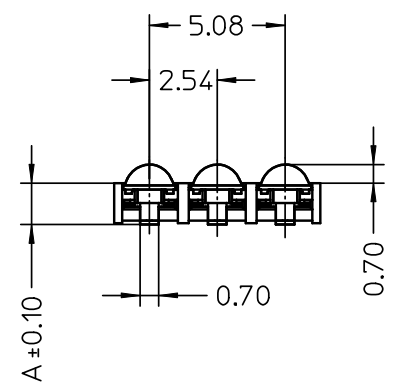
CONNECTOR PROFILE

RECOMMENDED PCB LAYOUT  
(TOLERANCE ±0.05)

WKSM001-2801	2.80
WKSM001-2501	2.50
WKSM001-2201	2.20
WKSM001-2001	2.00
WKSM001-1801	1.80
WKSM001-1701	1.70
WKSM001-1501	1.55
WKSM001-1401	1.45
WKSM001-1201	1.20
PART NUMBER	A

NOTES:

- MATERIAL:  
HOUSING--LCP GLASS FILLED, UL 94V-0, BLACK  
TERMINAL--COPPER ALLOY
- PLATING:  
TERMINAL--0.3 MICRON MIN. GOLD ON CONTACT AREA  
GOLD FLASH ON SOLDER TAIL  
ALL OVER 1.27 MICRON MIN. NICKEL PLATING
- COPLANARITY TO BE MAINTAINED AMONG ALL SOLDER TAILS



ADD PART NUMBER EC NO: EC2007-0016 DRWN: CHKD: APPR:	DESCRIPTION REV	QUALITY SYMBOLS ● = 0	GENERAL TOLERANCES (UNLESS SPECIFIED)		DRAWN BY GQZ	DATE 2005/03/02	TITLE SCALABLE SIM HEADER DOME CONTACT			
					CHECKED BY LIUYI	DATE 2005/03/02				
							APPROVED BY AJ	DATE 2005/03/02	<b>JTCONN PRECISION</b>	
							MATERIAL NO. SEE TABLE			
				4 PLACES ± ---			SCALE 5:1	DESIGN UNITS MM	THIRD ANGLE PROJECTION	
				3 PLACES ± ---						
				2 PLACES ± 0.20						
				1 PLACE ± ---						
				ANGULAR ± 2°	FRAME SIZE	A3				