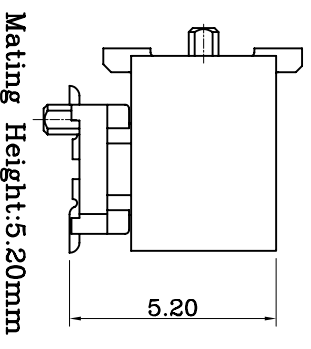
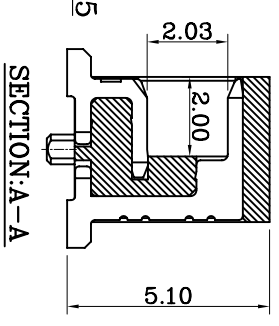
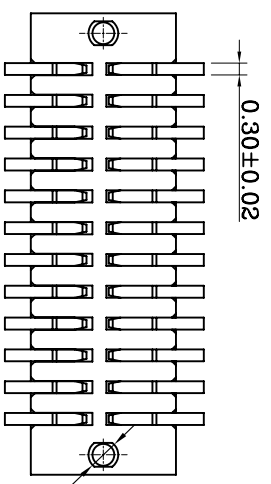
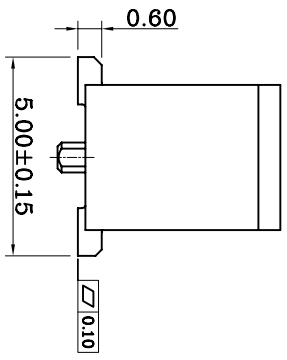
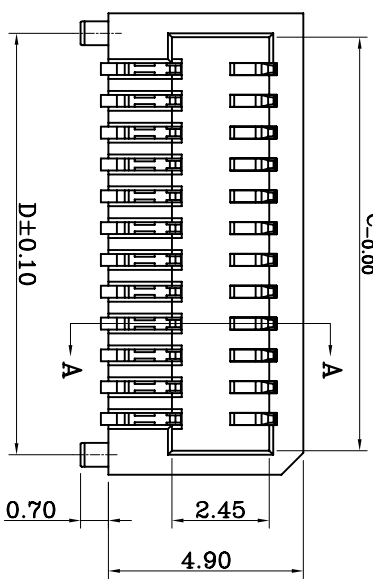
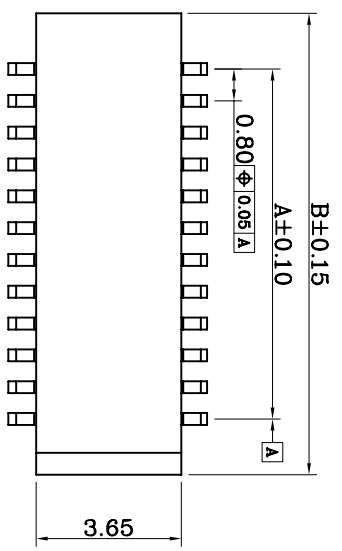


Recommended PCB Layout



CIRCUITS	DIM	ADIM	BDIM	CDIM	D
2x5	3.20	6.00	4.80	5.00	
2x6	4.00	6.80	5.60	5.80	
2x7	4.80	7.60	6.40	5.60	
2x8	5.60	8.40	7.20	7.40	
2x9	6.40	9.20	8.00	8.20	
2x10	7.20	10.00	8.80	9.00	
2x11	8.00	10.80	9.60	9.80	
2x12	8.80	11.60	10.40	10.60	
2x13	9.60	12.40	11.20	11.40	
2x14	10.40	13.20	12.00	12.20	
2x15	11.20	14.00	12.80	13.00	
2x16	12.00	14.80	13.60	13.80	
2x17	12.80	15.60	14.40	14.60	
2x18	13.60	16.40	15.20	15.40	
2x19	14.40	17.20	16.00	16.20	
2x20	15.20	18.00	16.80	17.00	
2x21	16.00	18.80	17.60	17.80	
2x12	16.80	19.60	18.40	18.60	
2x13	17.60	20.40	19.20	19.40	
2x24	18.40	21.20	20.00	20.20	
2x25	19.20	22.00	20.80	21.00	
2x26	20.00	22.80	21.60	21.80	
2x27	20.80	23.60	22.40	22.60	
2x28	21.60	24.40	23.20	23.40	
2x29	22.40	25.20	24.00	24.20	
2x30	23.20	26.00	24.80	25.00	
2x31	24.00	26.80	25.60	25.80	
2x32	24.80	27.60	26.40	26.60	
2x33	25.60	28.40	27.20	27.40	
2x34	26.40	29.20	28.00	28.20	
2x35	27.20	30.00	28.80	29.00	
2x36	28.00	30.80	29.60	29.80	
2x37	28.80	31.60	30.40	30.60	
2x38	29.60	32.40	31.20	31.40	
2x39	30.40	33.20	32.00	32.20	
2x40	31.20	34.00	32.80	33.00	
2x41	32.00	34.80	33.60	33.80	
2x42	32.80	35.60	34.40	34.60	
2x43	33.60	36.40	35.20	35.40	
2x44	34.40	37.20	36.00	36.20	
2x45	35.20	38.00	36.80	37.00	
2x46	36.00	38.80	37.60	37.80	
2x47	36.80	39.60	38.40	38.60	
2x48	37.60	40.40	40.00	39.40	
2x49	38.40	41.20	40.00	40.20	
2x50	39.20	42.00	40.80	41.00	

1. Specification:
  - 1.1 Current rating:0.5A AC/DC
  - 1.2 Voltage rating:50V AC/DC
  - 1.3 Contact resistance:20m milliohms max
  - 1.4 Insulation resistance:100 Mega ohms min
  - 1.5 Withstanding voltage:500V AC/minute
  - 1.6 Temperature range:-25°C to +80°C
2. Material and Plating
  - 2.1 Insulator:PA9T. Plastic(UL94V-0)
  - 2.2 Contact: Brass
  - 2.3 Finish: Gold Plated

GENERAL TOLERANCE  
 .X:±0.2  
 .XX:±0.10  
 .XXX:±0.05

深圳铭泰鑫电子有限公司

DESCRIPTION:  
 0.8mm Board to Board Socket R/A Type

PART NO: 101FXXU-A1Q1-A2RR1B  
 DRAWING NO: P1101FXXU-A2RR1B-01  
 REV: 1.0  
 SIZE: A4

5	DRAWING:	
4	CHECKED:	
3	APPROVAL:	
2	APPROVAL:	
1	DATE	
	DESCRIPTION	

1	NO.	DATE	DESCRIPTION	APPROVAL
---	-----	------	-------------	----------

1	NO.	DATE	DESCRIPTION	APPROVAL
---	-----	------	-------------	----------