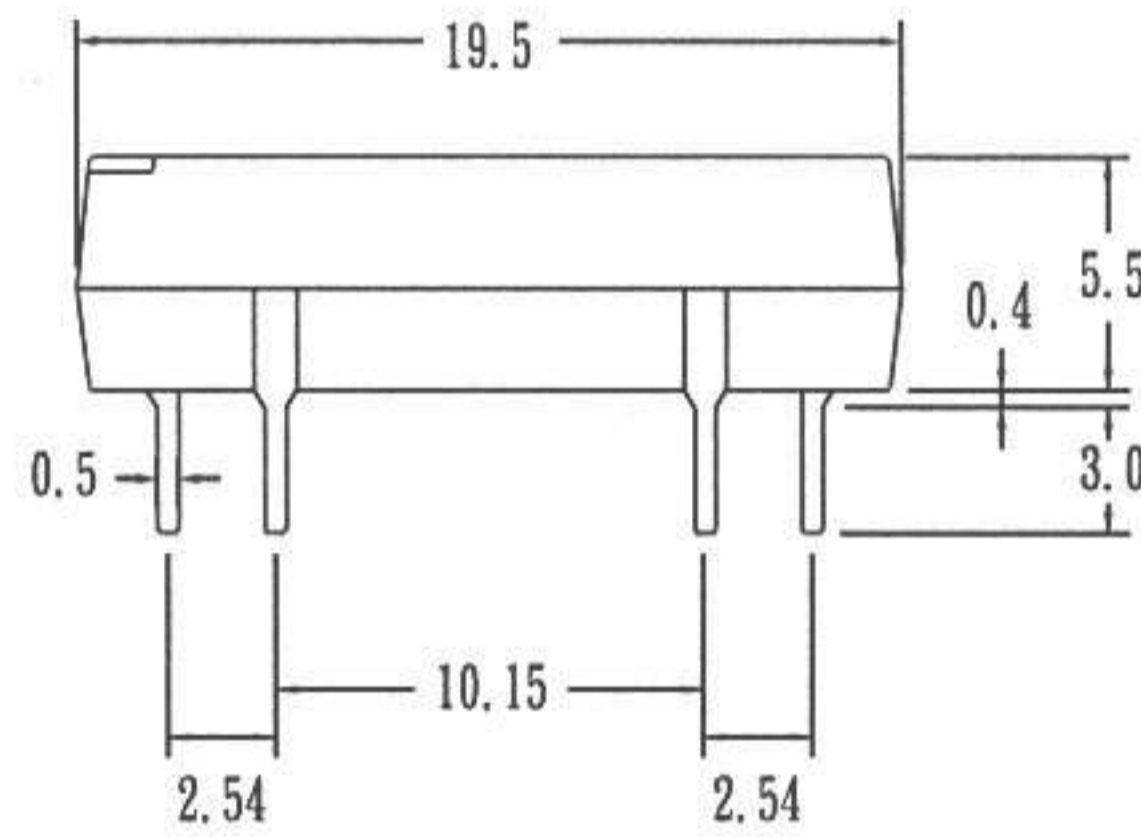
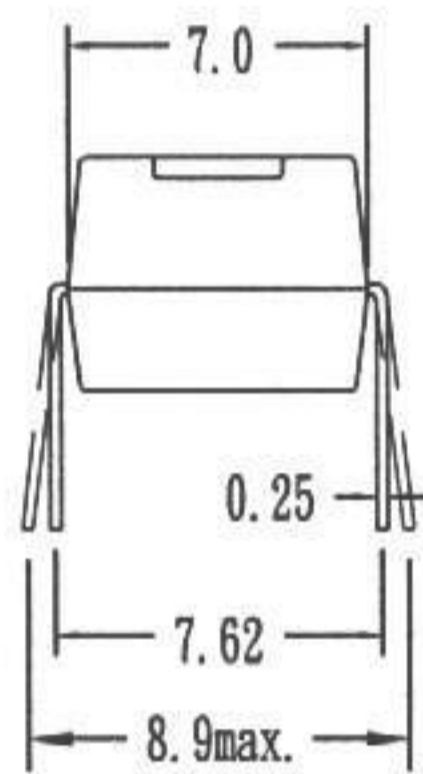


PRODUCT SPECIFICATION

DATE: 06/03/02'

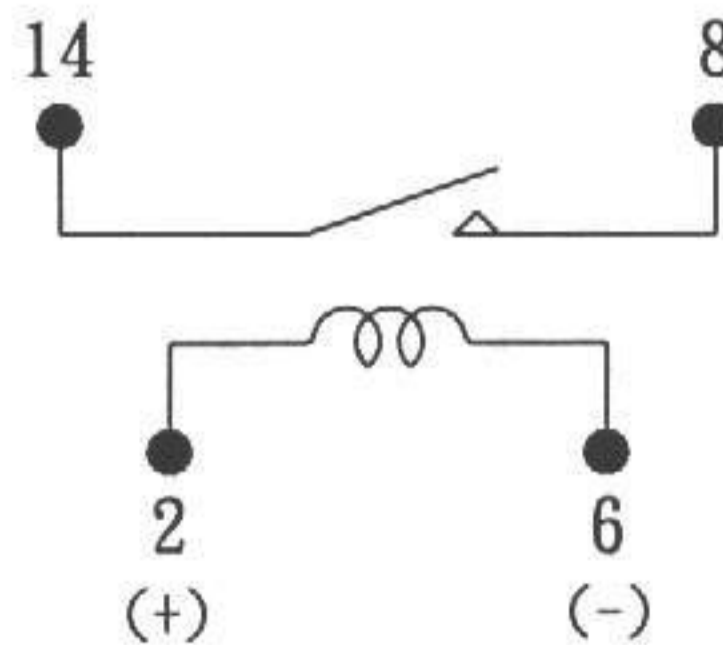
COSMO ELECTRONICS CORPORATION	REED RELAY: DH1A050000	NO. 50R03001	REV.
		SHEET 1 OF 2	4

1. OUTSIDE DIMENSION : UNIT (mm)



TOLERANCE : $\pm 0.1\text{mm}$

2. SCHEMATIC : TOP VIEW



PRODUCT SPECIFICATION

DATE: 06/03/02'

COSMO ELECTRONICS CORPORATION	REED RELAY: DH1A050000	NO. 50R03001	REV.
		SHEET 2 OF 2	4

3.0 COIL RATINGS: (AT 20°C)

3.1 Coil resistance	500	Ω	($\pm 10\%$)
3.2 Nominal coil current	5	VDC	
3.3 Maximum Continuous voltage	10	VDC	
3.4 Must operate	3.75	VDC	
3.5 Must release	1.0	VDC	
3.6 Rated current	10	mA	

4.0 ELECTRICAL CHARACTERISTICS:

4.1 Contact resistance	100	m Ω	(max)
4.2 Operate time	0.5	ms	(max)
4.3 Bounce time	0.5	ms	(max)
4.4 Release time	0.5	ms	(max)
4.5 Insulation resistance (100 VDC open contact)	10 ¹¹	Ω	(min)
4.6 Power	10	VA	(max)
4.7 Switching voltage	200	VDC	(max)
4.8 Switching current	0.5	A	(max)
4.9 Carry current	1.0	A	(max)
4.10 Breakdown voltage (across open contact)	250	VDC	(min)
(between coil & contact)	4000	VAC	(RMS)
4.11 Life expectancy (signal level)	10 ⁸		
4.12 Operating temp	-40 to 85	$^{\circ}\text{C}$	
4.13 Storage temp	-50 to 125	$^{\circ}\text{C}$	
4.14 Resonant frequency	3.5	KHZ	
4.15 Vibration (10-2000HZ)	20	g	(max)
4.16 Minimum permissible load	100	mVDC	10uA