
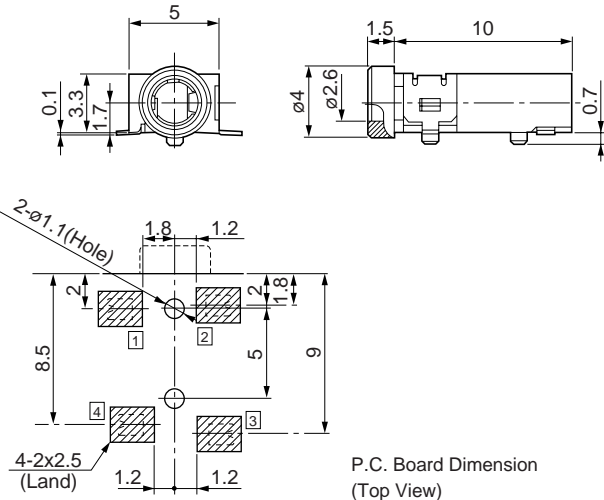
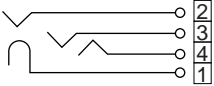

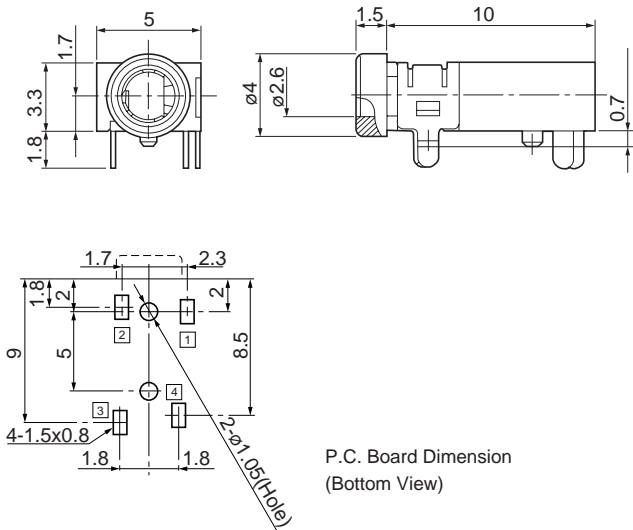
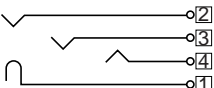

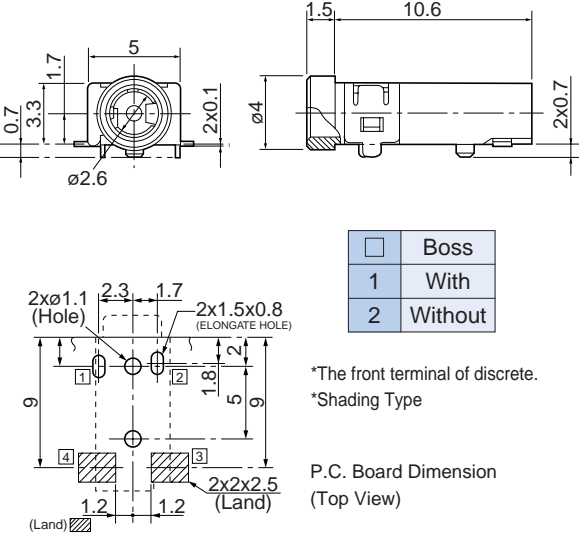
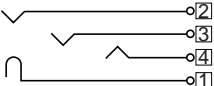

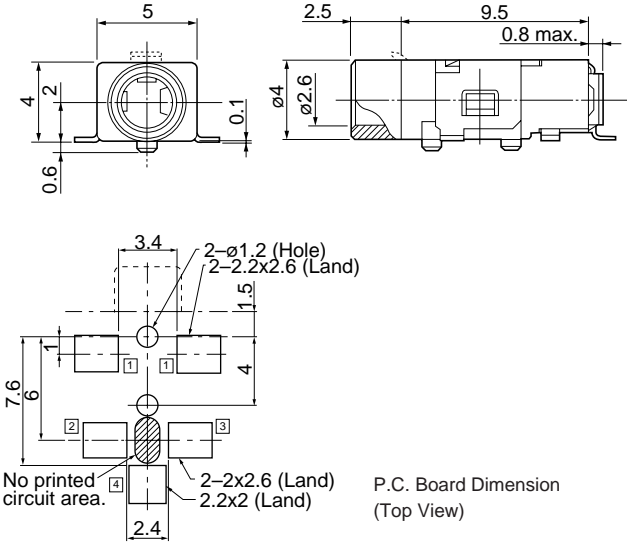
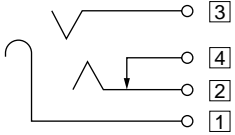

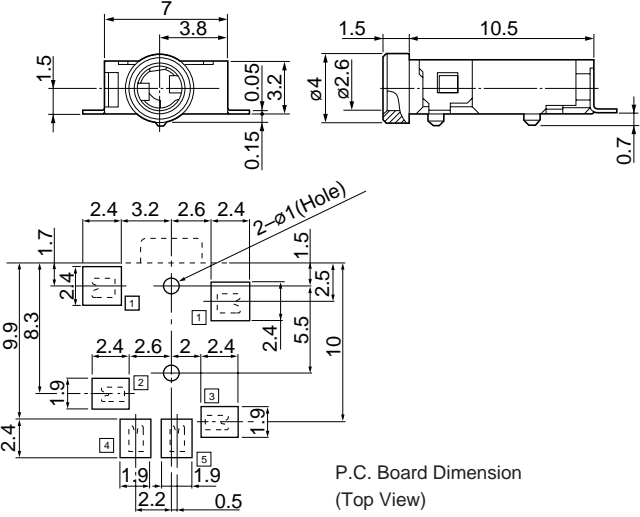
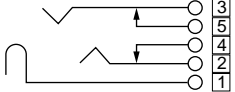

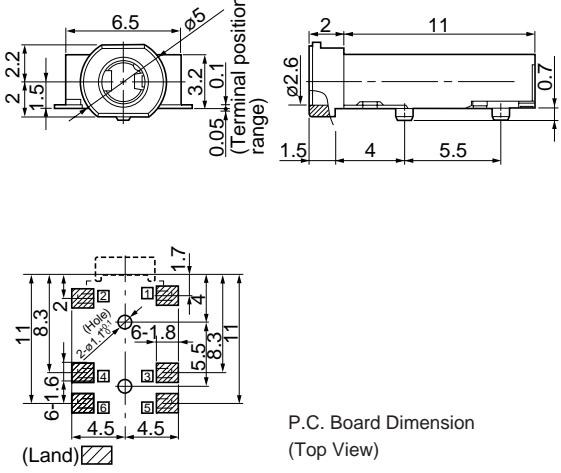
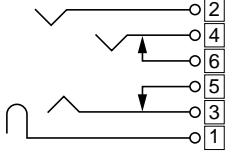


2.5mm Dia. Jacks

LGK1709-1601F	  P.C. Board Dimension (Top View)	Circuits  Reflow Soldering
SMD Type	(1,000pcs/reel)	Reflow Soldering
LGK1709-2200F	  P.C. Board Dimension (Bottom View)	Circuits  Manual Soldering
Discrete Type	[t=0.8]	Manual Soldering
LGK1709-270□F	  P.C. Board Dimension (Top View)	Circuits  Shading Type Reflow Soldering
SMD Type	(1,000pcs/reel)	Reflow Soldering

2.5mm Dia. Jacks

<p>LGK2009-0201F</p> 	 <p>P.C. Board Dimension (Top View)</p> <p>(1,000pcs/reel)</p>	<p>Circuits</p>  <p>Reflow Soldering</p>
<p>SMD Type</p>	<p>No printed circuit area.</p> <p>2-2x2.6 (Land) 2.2x2 (Land)</p> <p>P.C. Board Dimension (Top View)</p>	<p>Reflow Soldering</p>
<p>LGK1503-0301F</p> 	 <p>P.C. Board Dimension (Top View)</p> <p>(1,000pcs/reel)</p>	<p>Circuits</p>  <p>Reflow Soldering</p>
<p>SMD Type</p>	<p>P.C. Board Dimension (Top View)</p>	<p>Reflow Soldering</p>
<p>LGK1509-0901F</p> 	 <p>P.C. Board Dimension (Top View)</p> <p>(500pcs/reel)</p>	<p>Circuits</p>  <p>Reflow Soldering</p>
<p>SMD Type</p>	<p>(Land)</p> <p>P.C. Board Dimension (Top View)</p>	<p>Reflow Soldering</p>

