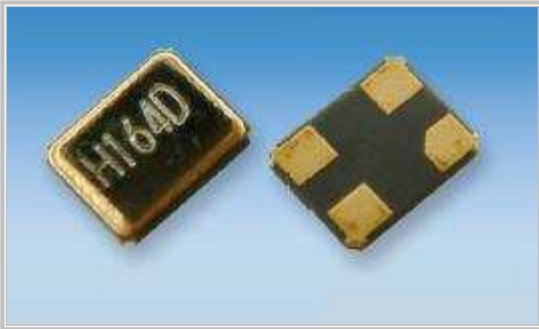


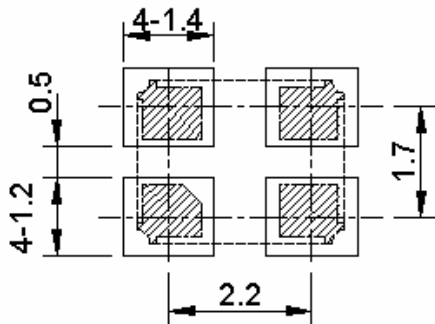
# CRYSTALS RESONATORS

# SMD TYPE

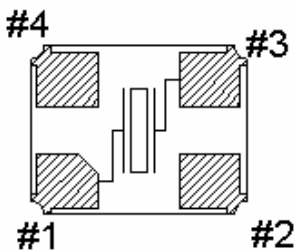
## HSX321S Series



RECOMMENDED LAND PATTERN [mm]



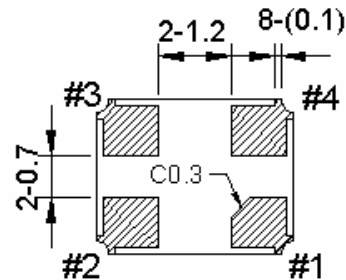
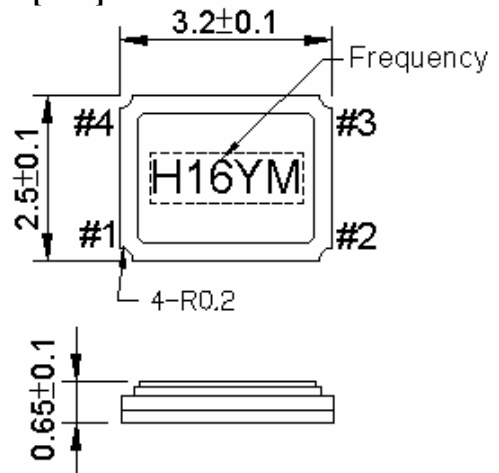
< TOP VIEW > INTERNAL CONNECTIONS



●FEATURES :

- Suitable applications include telecommunications equipment, short-range radio link modules, DVC, DSX, PDA and PC.
- High precision and reliability.

DIMENSION [mm]



ITEM	TYPE HSX321S			
Frequency Range	12MHz	12~20MHz	20~28MHz	28~50MHz
Mode	Fundamental			
Load Capacitance	Series, 8pF, 10pF, 12pF			
Drive Level	10uW (300uW Max.)			
Frequency Tolerance	±10ppm ~ ±50ppm (at. 25°C)			
Equivalent Series Resistance	120Ω Max.	80Ω Max.	60Ω Max.	50Ω Max.
Frequency Stability (Temp.)	±10ppm / -10 ~ +60 °C (Ref. to 25°C)			
	±15ppm / -20 ~ +70 °C (Ref. to 25°C)			
	±20ppm / -30 ~ +85 °C (Ref. to 25°C)			
Operating Temp. Range	-10 ~ +60°C			
Storage Temp. Range	-40 ~ +85°C			

\*Packing Unit : 3,000pcs/Reel.

