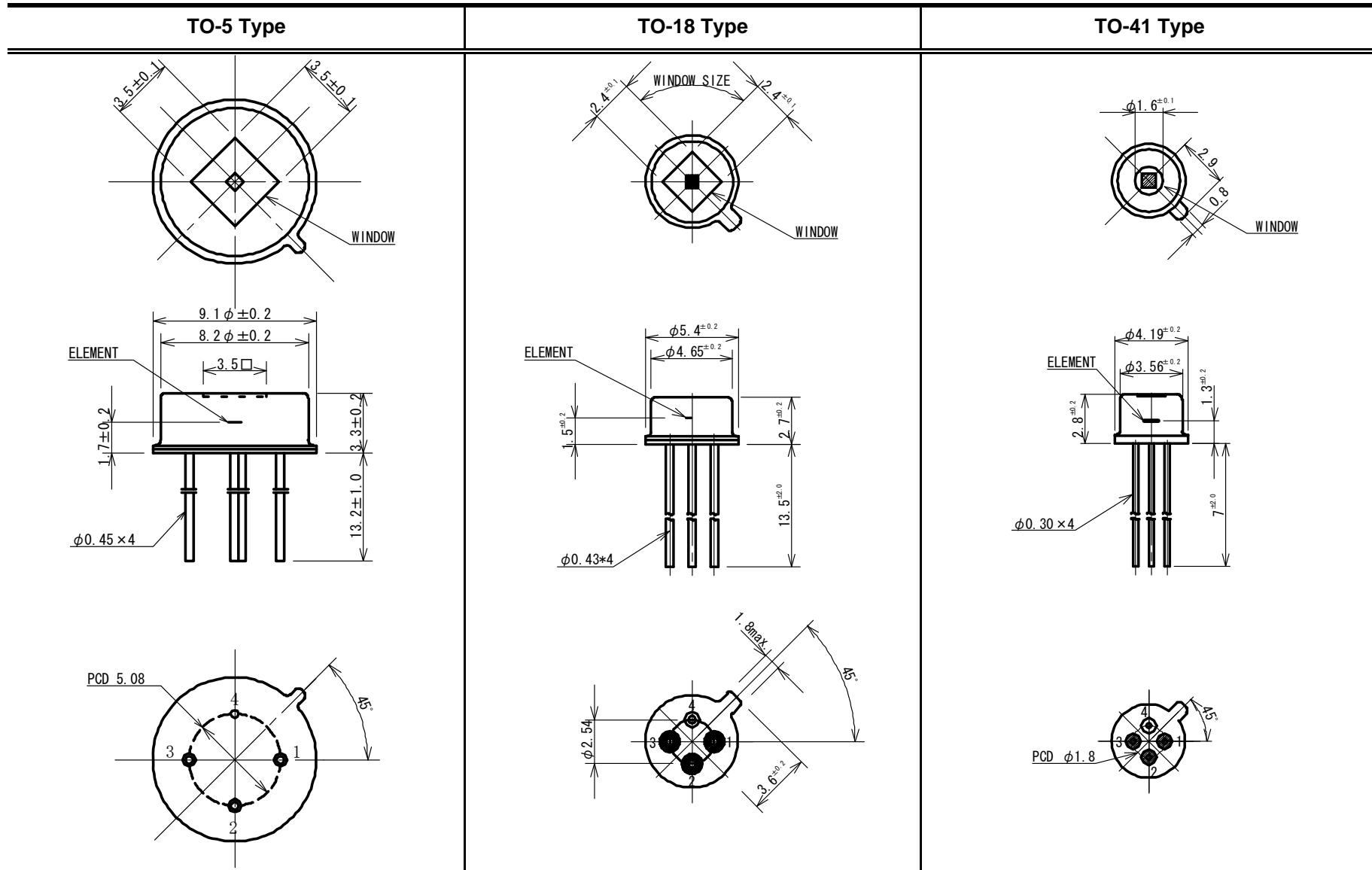


▶ Dimensions of Thermopile Sensor ◀



Unit [ mm ]

[ Pin Functions ]

Standard [ I ]

1	THERMOPILE -
2	THERMOPILE +
3	THERMISTOR
4	GROUND

又は、

Standard [ II ]

1	THERMOPILE +
2	THERMISTOR
3	THERMOPILE -
4	GROUND