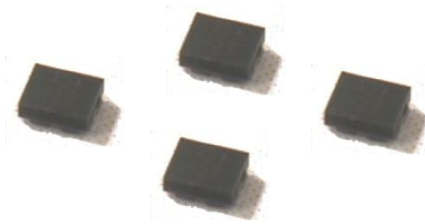




# Data Sheet of SAW Components



Note : Murata SAW Component is applicable for Cellular /Cordless phone (Terminal) relevant market only.

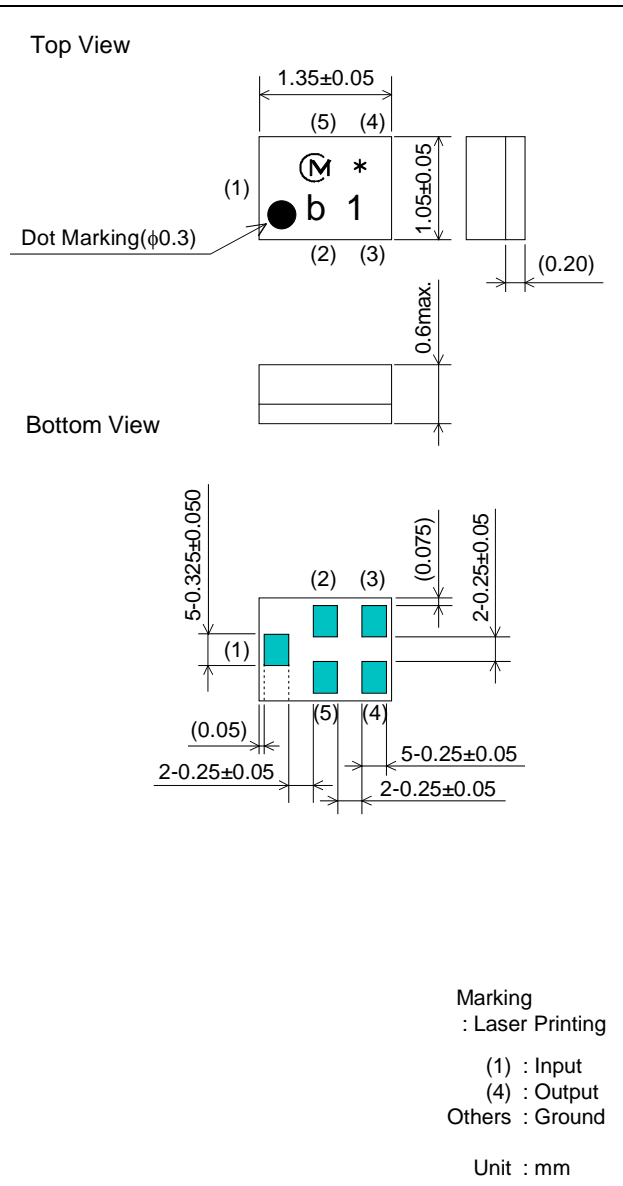
Please also read caution at the end of this document.

# SAW FILTER FOR GSM900 Tx

Murata part number :SAFEB897MAL0F00

## Package Dimensions

## Specification

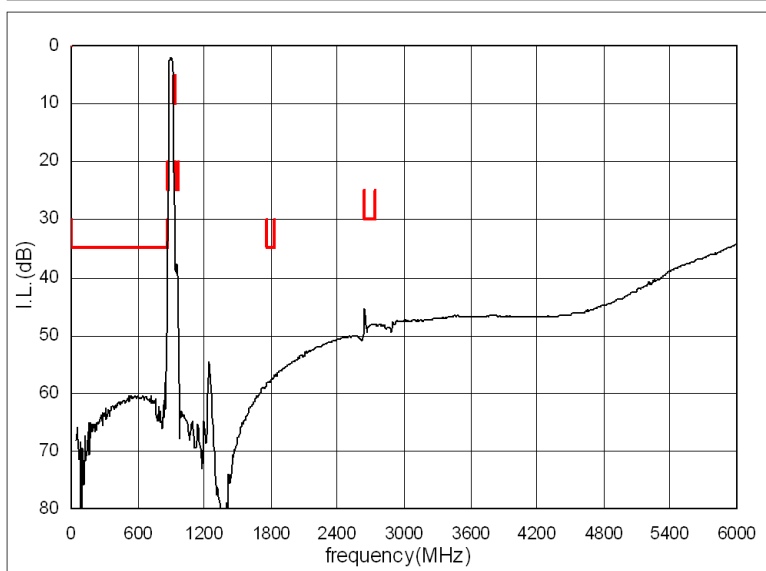
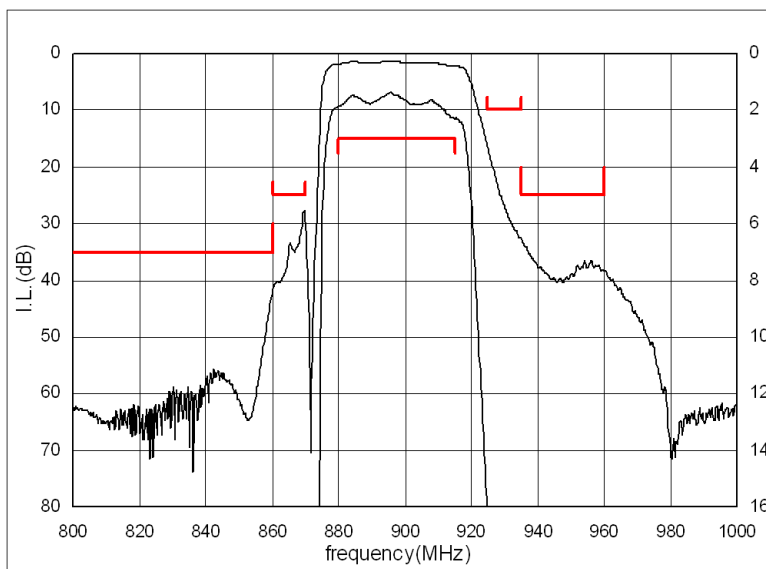


Item	Specification			
	-30 to 85°C	-10 to 80°C	25±2°C	typ.
Nominal Center Frequency(fc)	897.5 MHz			
Insertion Loss (880 to 915MHz)	3 dB max.	3 dB max.	2.5 dB max.	2.3 dB
Absolute Attenuation				
1) 0.1 to 860 MHz	35 dB min.	35 dB min.	35 dB min.	42 dB
2) 860 to 870 MHz	25 dB min.	25 dB min.	25 dB min.	28 dB
3) 925 to 935 MHz	10 dB min.	11 dB min.	14 dB min.	17 dB
4) 935 to 960 MHz	25 dB min.	25 dB min.	25 dB min.	33 dB
5) 1760 to 1830 MHz	35 dB min.	35 dB min.	35 dB min.	53 dB
6) 2640 to 2745 MHz	30 dB min.	30 dB min.	30 dB min.	45 dB
Ripple Deviation (880 to 915MHz)	1.8 dB max.	1.7 dB max.	1.4 dB max.	0.9 dB
VSWR (880 to 915MHz)	2.2 max.	2.1 max.	2.0 max.	1.8
Input/Output Impedance (nominal)	50Ω			
Input Signal Level	31.6mW (+15dBm), 2000 hours			

# SAW FILTER FOR GSM900 Tx

Murata part number :SAFEB897MAL0F00

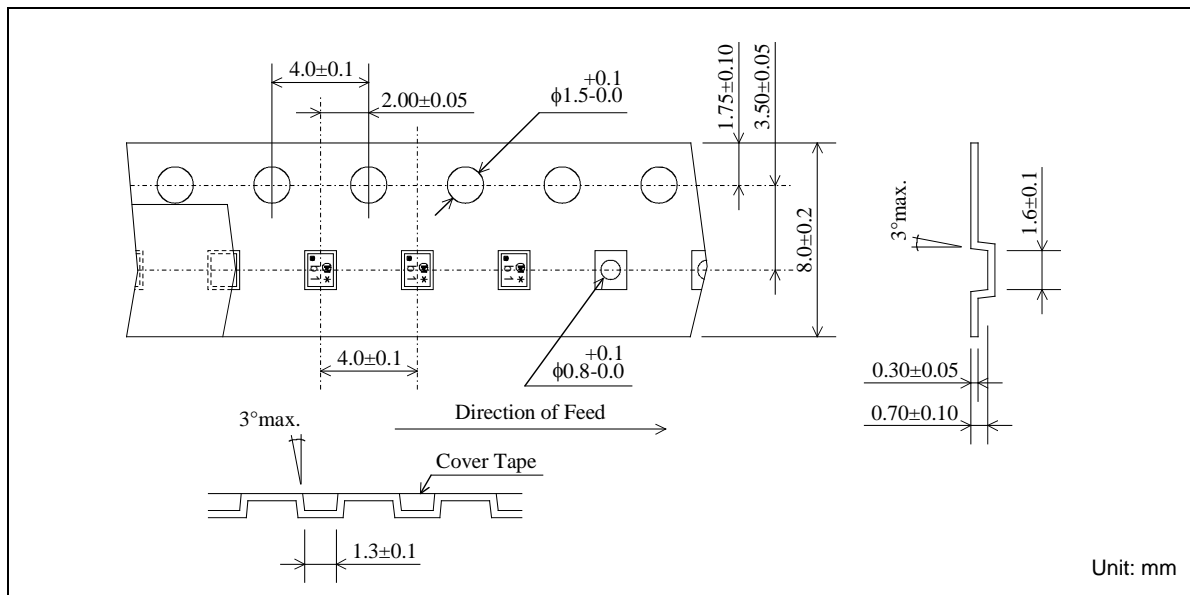
## Frequency Performance



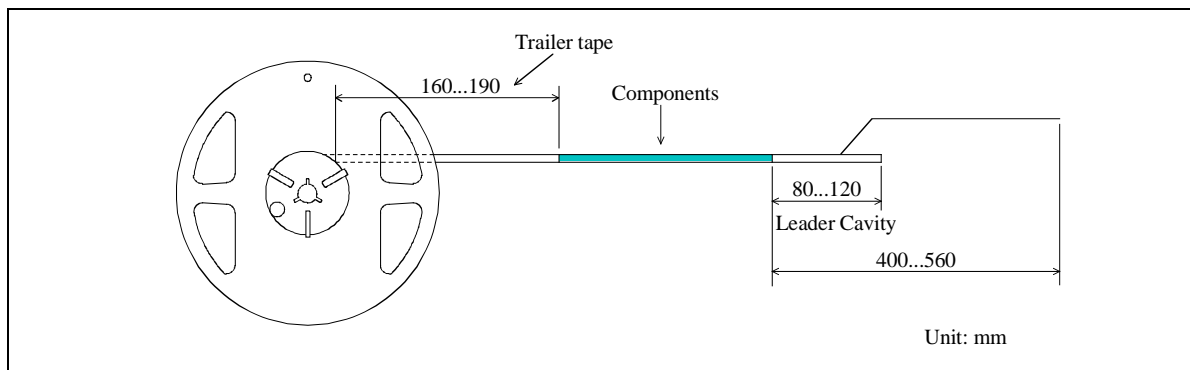
# SAW FILTER FOR GSM900 Tx

Murata part number : SAFEB897MAL0F00

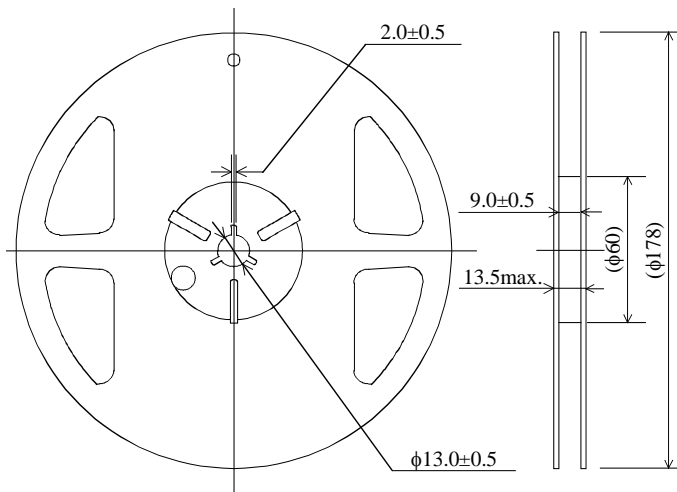
## Dimensions of Carrier Tape



## Dimensions of Tape



## Dimensions of Reel



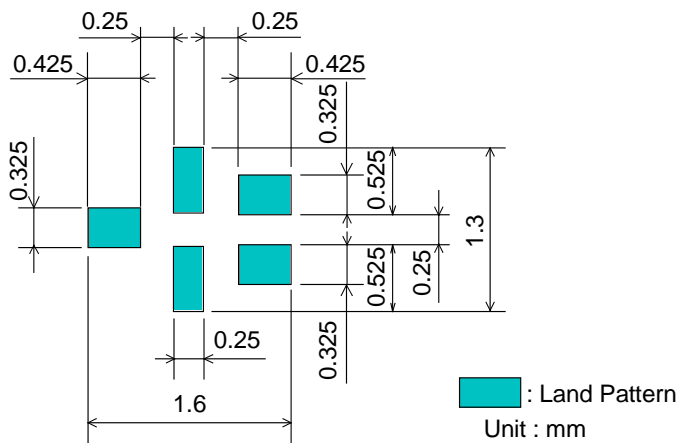
SAFEB897MAL0F00R14 ... 4000pcs/reel  
SAFEB897MAL0F00R12 ... 2000pcs/reel

# SAW FILTER FOR GSM900 Tx

Murata part number :SAFEB897MAL0F00

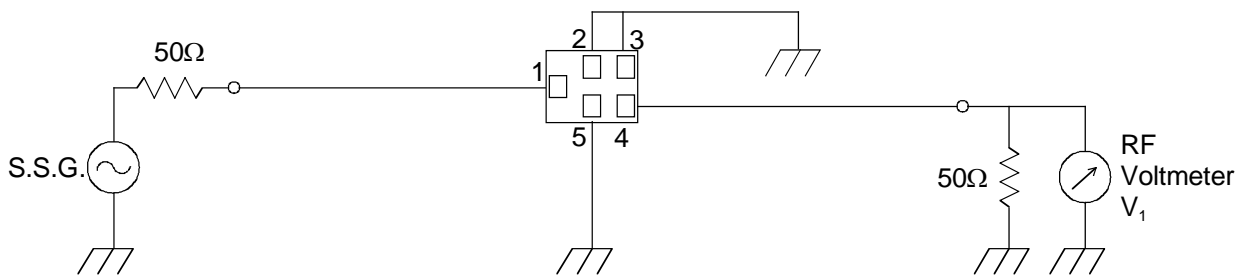
## Recommended Land Pattern

Top View



## Test Circuit

Bottom View



# SAW FILTER FOR GSM900 Tx

Murata part number :SAFEB897MAL0F00

## ■ RoHS Compliance

This component is compliant with RoHS directive.

This component was always RoHS compliant from the first date of manufacture.

### • Caution - Limitation of Applications

This product is intended for the following applications only; however, please do not use this product in these applications where defects might directly cause damage to a third party's life, body or property.

- a. Mobile Telephone
- b. Cordless phone (except for Automotive use)
- c. PC (Including Notebook PC, Netbook PC, Tablet)
- d. Game
- e. Camera (except for Business/security use)
- f. Set Top Box
- g. Electronic dictionary
- h. Digital audio equipment

• This catalog is for reference only and not an official product specification document, therefore, please review and approve our official product specification before ordering this product.