

HC-TF



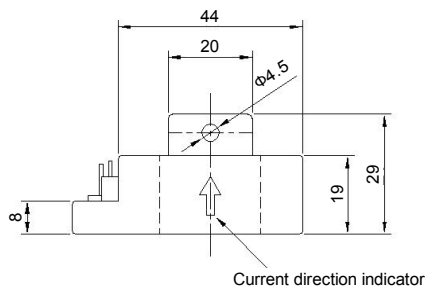
- Rated current 50A ~ 1600A
- Single-power supplies also available

Applications

Inverters, Servo drivers, Power supply equipment, Uninterruptible power supply (UPS), NC machine tools, Welders

Dimensions

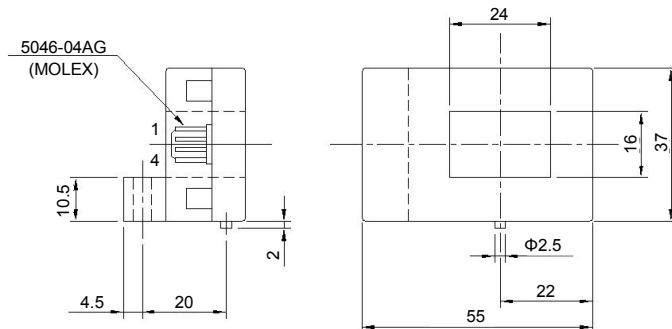
(mm)



Supported connector housing  
5051-04 (MOLEX)

- Terminal No.
- 1 - (+) terminal
  - 2 - (-) terminal
  - 3 - Output
  - 4 - GND

Weight : 66g



General tolerance:  $\pm 0.5$

### Specification

Ta=25°C

Type	HC-TF050V4B15	HC-TF100V4B15	HC-TF400V4B15	HC-TFE10V4B15H	HC-TFE16V4B15H
Rated current [ If ]	±50A	±100A	±400A	±1000A	±1600A
Saturation current [ Is ]	±150A	±300A	±900A	±1800A	±1800A
Linearity limits	0~±112.5A	0~±225A	0~±650A	0~±1600A	0~±1600A
Rated output [ Vh ]	+If V0+4V±1% (RL=10kΩ)			V0+4V±2% (RL=10kΩ)	
	-If V0-4V±1% (RL=10kΩ)			V0-4V±2% (RL=10kΩ)	
Residual output [ Vo ]	Within ±70mV	Within ±50mV			
Output linearity	Within ±1%				
Response time	Within 10μs (The smaller one on either at di/dt = 100 A/μs or If/μs.)				
Response performance	Within 10%				
Hysteresis voltage range	Within 30mV				
Output Temp. Coef.	Within ±0.1%/°C				
Residual output Temp. Coef.	Within ±3mV/°C	Within ±1.5mV/°C	Within ±1mV/°C		
Control power supply	±15V±5%				
Consumption current	Within 30mA				
Operating Temp.	-10°C~+80°C				
Storage Temp.	-15°C~+85°C				
Dielectric withstand voltage	2500V AC 50/60Hz 1minute				
Insulation resistance	Not less than 500MΩ 500V DC				

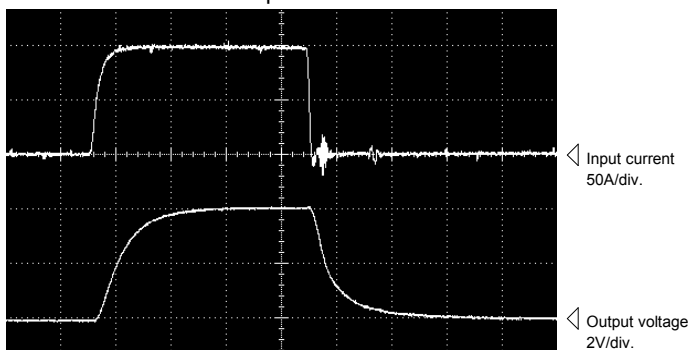
Note1) The indicated residual voltage is the one after the core hysteresis is removed.

### Characteristics chart

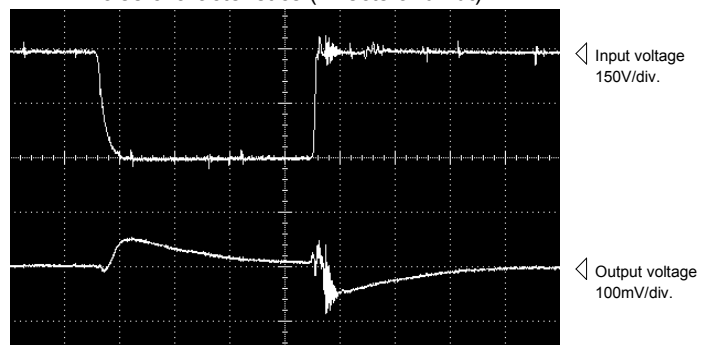
HC-TF100V4B15

5μs/div. Time base

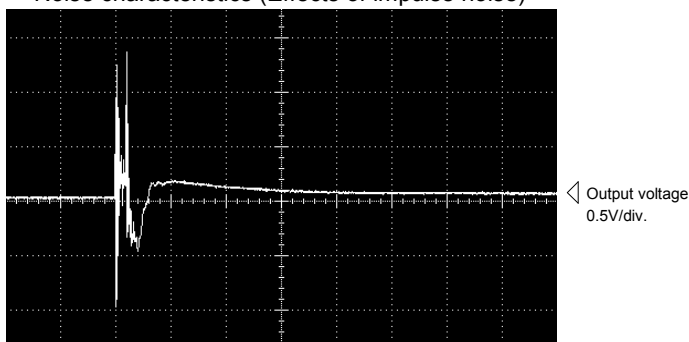
Pulse current response characteristic



Noise characteristics (Effects of dv/dt)

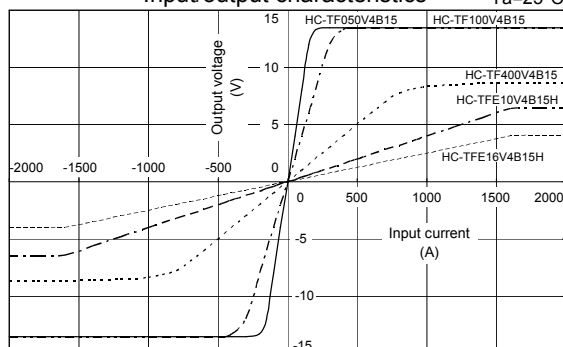


Noise characteristics (Effects of impulse noise)



Input/output characteristics

Ta=25°C



Note: The marks "◁" means "0V or 0A."