

## HC-U



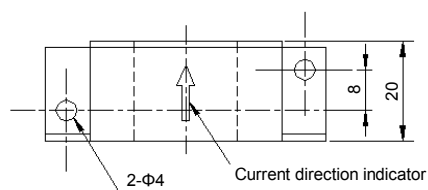
- Rated current 50A ~ 300A

### Applications

Inverters, Power supply equipment, NC machine tools, Welders

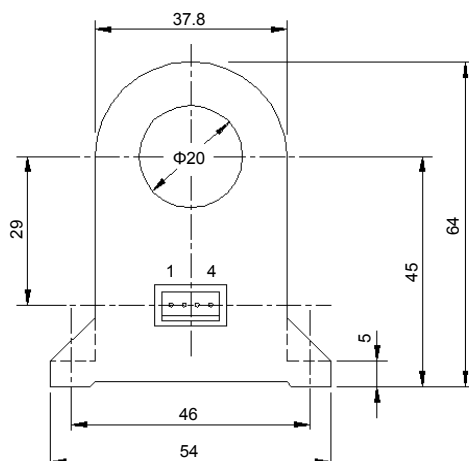
## Dimensions

(mm)

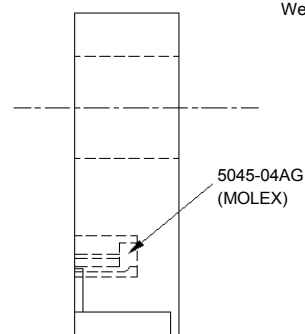


Supported connector housing  
5051-04 (MOLEX)

Terminal No. 1 - (+) terminal  
2 - (-) terminal  
3 - Output  
4 - GND



Weight : 59g



General tolerance: ±0.5

### Specification

Ta=25°C

| Type                         | HC-U050V4B15   | HC-U100V4B15     | HC-U300V4B15 |
|------------------------------|--|------------------|--------------|
| Rated current [If]           | ±50A   | ±100A            | ±300A        |
| Saturation current [Is]      | ±150A  | ±300A            | ±700A        |
| Linearity limits             | 0~±150A  | 0~±300A          | 0~±600A      |
| Rated output [Vh]            | ±4V±1.5%   | ±4V±1%           |              |
| Residual output [Vo]         | Within ±50mV   | Within ±30mV     |              |
| Output linearity             | Within ±1%   |                  |              |
| Response time                | Within 10μs (The smaller one on either at di/dt = 100A/μs or If/μs.) |                  |              |
| Response performance         | Within 10%   |                  |              |
| Hysteresis voltage range     | Within 30mV  |                  |              |
| Output Temp. Coef.           | Within ±0.08%/°C   |                  |              |
| Residual output Temp. Coef.  | Within ±2.5mV/°C   | Within ±1.5mV/°C |              |
| Control power supply         | ±15V±5%  |                  |              |
| Consumption current          | Within 30mA  |                  |              |
| Operating Temp.              | -10°C~+80°C  |                  |              |
| Storage Temp.                | -15°C~+85°C  |                  |              |
| Dielectric withstand voltage | 2500V AC 50/60Hz 1minute   |                  |              |
| Insulation resistance        | Not less than 500MΩ 500V DC  |                  |              |

Note1) The indicated rated output is the one when no load is applied.

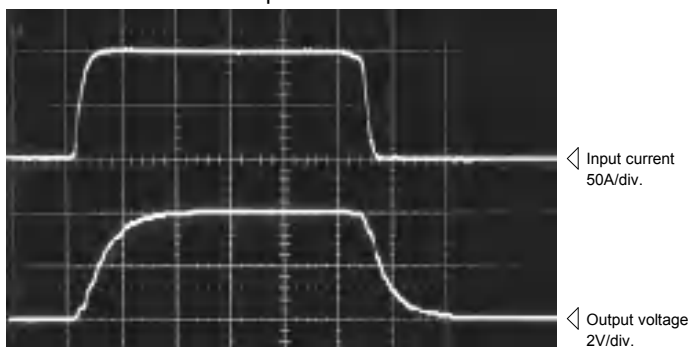
Note2) The indicated residual voltage is the one after the core hysteresis is removed.

### Characteristics chart

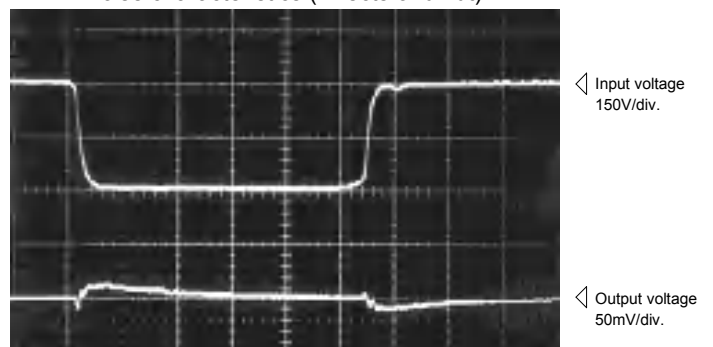
HC-U100V4B15

5μs/div. Time base

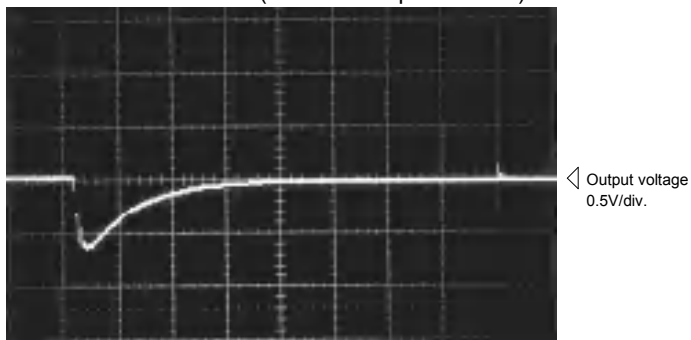
Pulse current response characteristic



Noise characteristics (Effects of dv/dt)

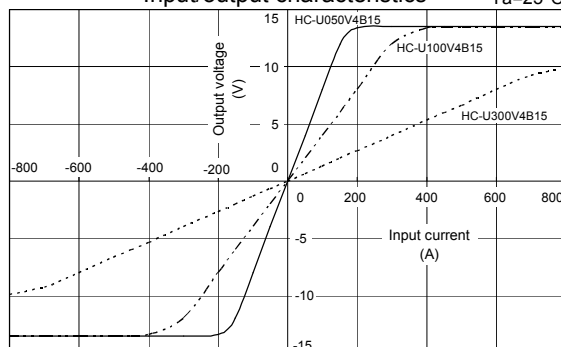


Noise characteristics (Effects of impulse noise)



Input/output characteristics

Ta=25°C



Note: The marks "◁" means 0V or 0A.