

HS-P



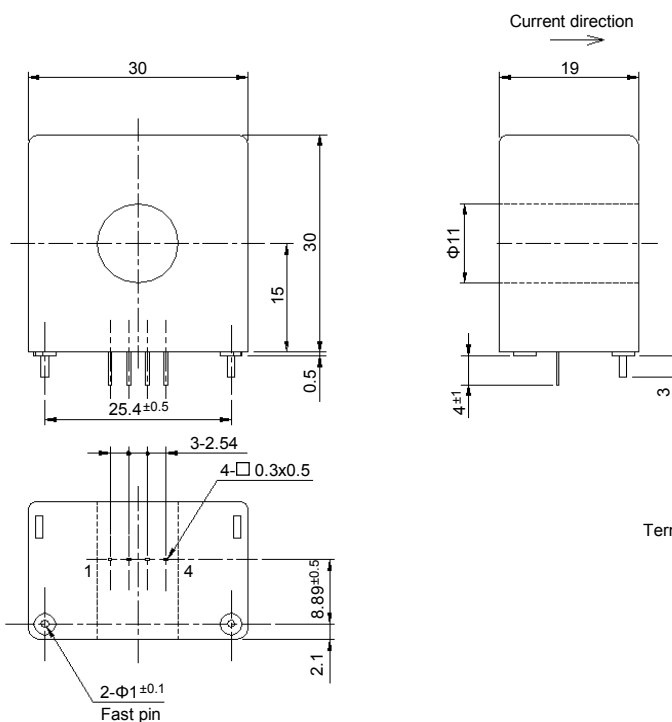
- Rated current 50A ~ 100A
- Superior in response, linearity and temperature characteristics
- Both the voltage output and the current output were prepared

Applications

Inverters, Srevo drivers, Power supply equipment, NC machine tools

Dimensions

(mm)



- Terminal No.
- 1 - (-) terminal
 - 2 - GND
 - 3 - (+) terminal
 - 4 - Output

Weight : 20g

General tolerance: ±0.5

Specification

Ta=25°C

Type	Voltage output type		Current output type	
	HS-P050V4B15	HS-P100V4B15	HS-P050A005B15	HS-P100A005B15
Rated current [If]	±50A	±100A	±50A	±100A
Continuously flowing DC current	±50A	±100A	±50A	±100A
Saturation current [Is]	±100A	±150A	±80A	±150A
Linearity limits	0~±100A	0~±150A	0~±80A (RL=50Ω)	0~±150A (RL=40Ω)
Rated output [Vh]	±4V±1% (RL=10kΩ)		±50mA±1%	
Residual output [Vo]	Within ±20mV		Within ±0.2mA	
Output linearity	Within ±0.5%			
Second coil resistance	Approx. 100Ω		Approx. 51Ω	Approx. 100Ω
Response time	Within 1μs (The smaller one on either at di/dt = 100A/μs or If/μs.)			
Response performance	Within 10%			
Hysteresis voltage range	Within 30mV		Within 0.2mA	
Output Temp. Coef.	Within ±0.02%/°C			
Residual output Temp. Coef.	Within ±1mV/°C		Within ±0.01mA/°C	
Control power supply	±15V±5%			
Consumption current	20mA+(Input current/2000)		20mA+(Input current/1000)	20mA+(Input current/2000)
Operating Temp.	-10°C~+80°C			
Storage Temp.	-15°C~+85°C			
Dielectric withstand voltage	2500V AC 50/60Hz 1minute			
Insulation resistance	Not less than 500MΩ 500V DC			

Note1) The indicated residual voltage is the one after the core hysteresis is removed.

Note2) Energization time of saturation current shall be within 1 second.

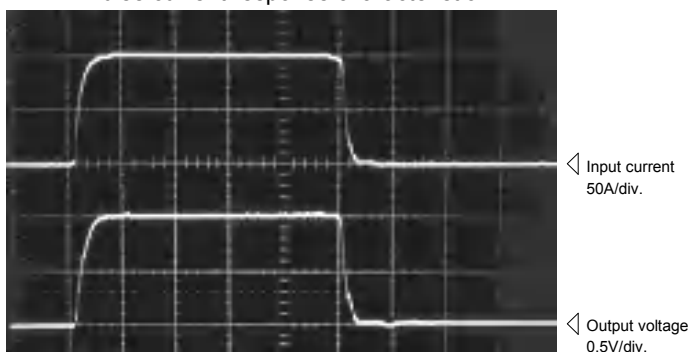
Note3) Energization time of continuous live DC current x150% shall be within 1 minute.

Characteristics chart

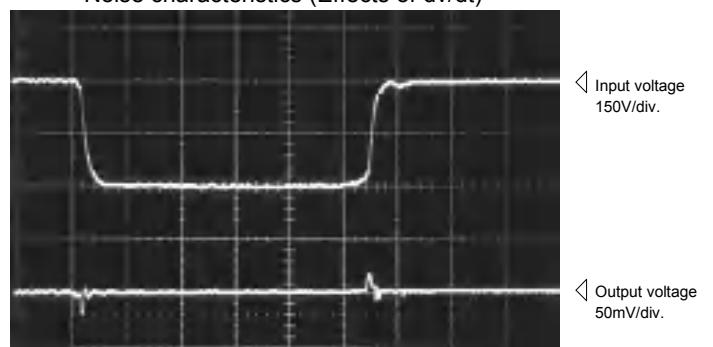
HS-P100A005B15 (RL=20Ω)

5μs/div. Time base

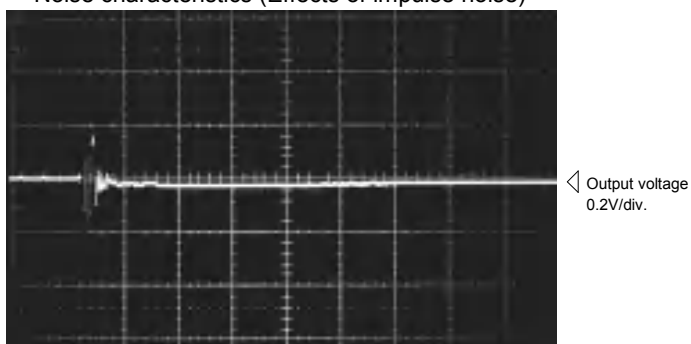
Pulse current response characteristic



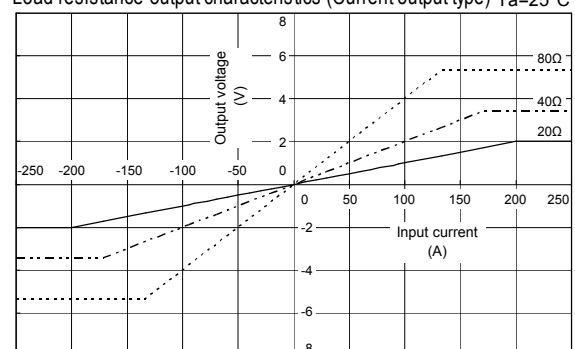
Noise characteristics (Effects of dv/dt)



Noise characteristics (Effects of impulse noise)



Load resistance-output characteristics (Current output type) Ta=25°C



Note: The marks "◁" means "0V or 0A."