

# ZW10



## TRCELECTRONICS, INC.

"Authorized Distributor"

135 Pasadena Ave.

Lodi, NJ 07644 USA

Tel: (973) 779-8282

Fax: (973) 779-1490

sales@trcelectronics.com

http://www.trcelectronics.com

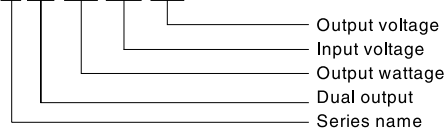
Contact TRC for pricing,  
availability, and technical  
assistance.

Z Series DC- DC converter designed  
for small size and high reliability

- Isolated between input- output
- Built- in overcurrent protection circuit
- Small and compact size
- Five- year warranty

### ORDERING INFORMA

#### ZW100512



## SPECIFICATIONS

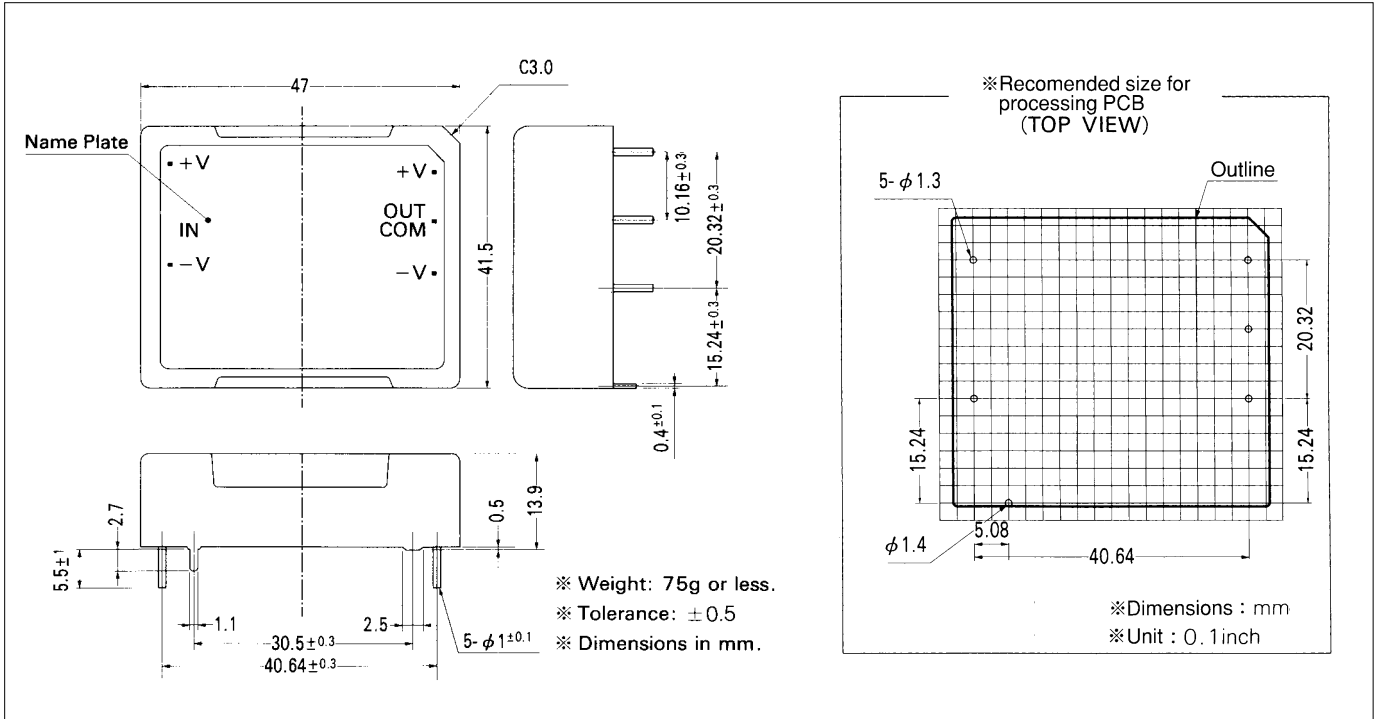
Output pins can be connected in series to make a 24V/ 30V output.

MODEL		ZW100512	ZW100515	ZW101212	ZW101215	ZW102412	ZW102415	ZW104812	ZW104815
INPUT	VOLTAGE [V]	5 ( 4.5~6.0 )		12 ( 10~15 )		24 ( 20~30 )		48 ( 35~63 )	
	EFFICIENCY [%]	72typ		80 typ		80 typ		80typ	
Z OUTPUT	VOLTAGE [V]	±12 ( +24 )	±15 ( +30 )	±12 ( +24 )	±15 ( +30 )	±12 ( +24 )	±15 ( +30 )	±12 ( +24 )	±15 ( +30 )
	CURRENT [A]	0.35	0.3	0.45	0.35	0.45	0.35	0.45	0.35
	LINE REGULATION [mV]	60max	75max	60max	75max	60max	75max	60max	75max
	LOAD REGULATION [mV]	600max	750max	600max	750max	600max	750max	600max	750max
	RIPPLE [mVp-p]	120max		120max		120max		120max	
	RIPPLE NOISE [mVp-p]	120max		120max		120max		120max	
	TEMPERATURE COEFFICIENT [mV] 0~+55°C	120max	150max	120max	150max	120max	150max	120max	150max
OUTPUT VOLTAGE SET (FIXED) [%]	±5max ( Rated input / output, Ta=25 <sup>a</sup> )								
PROTECTION CIRCUIT	OVERCURRENT PROTECTION	Works over 105% of rating and recovers automatically							
ISOLATION	INPUT, OUTPUT, CASE	AC500V, 1 minute, Cutoff current=10mA, DC500V, 50M <sup>?</sup> min. ( At Room Temperature)							
ENVIRONMENT	OPERATING TEMP. AND HUMID.	- 10~+70 <sup>a</sup> ,20~90%RH( Non condensing) ( Refer to DERATING CURVE)							
	STORAGE TEMP. AND HUMID.	- 20~+75 <sup>a</sup> ,20~90%RH( Non condensing)							
	VIBRATION	10~55Hz, 10G, 3 minutes period, 30 minutes along X, Y and Z axis							
	IMPACT	50G, 11mS, once each X, Y and Z axis							

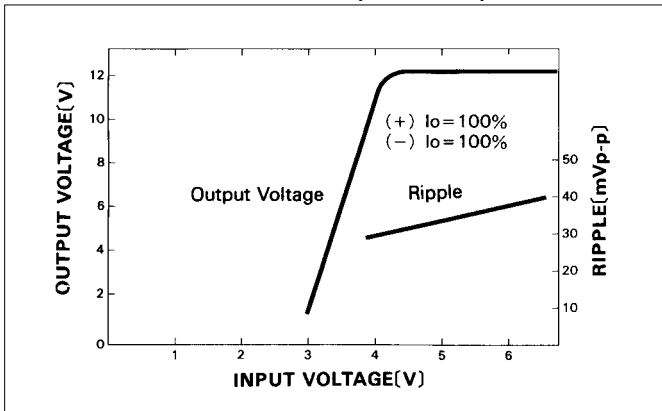
<sup>1)</sup> The output specification is at ±12V and ±15V.  
<sup>2)</sup> Parallel operation with other model is not possible.

MODEL	ZW10		ZW10	
	0512	1212 2412 4812	0515	1215 2415 4815
MAX OUTPUT WATTAGE	8.4W	10.8W	9.0W	10.5W
DC OUTPUT VOLTAGE	± 12V (+24V)		± 15V (+30V)	
DC OUTPUT CURRENT	0.35A	0.45A	0.30A	0.35A

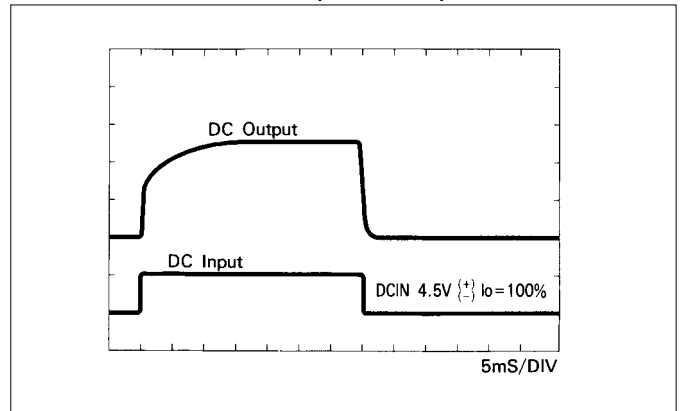
## EXTERNAL VIEW



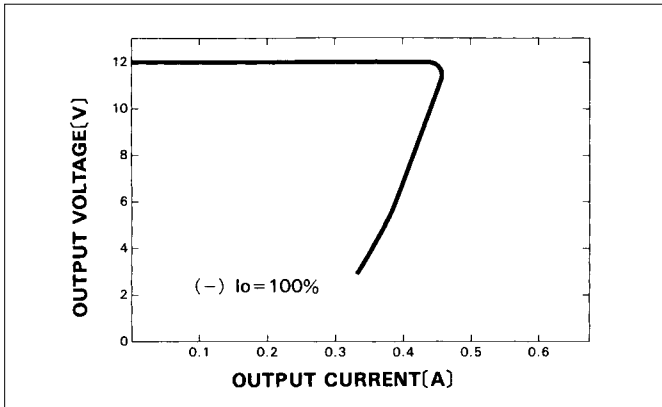
## STATIC CHARACTERISTICS (ZW100512)



## RISE TIME & FALL TIME (ZW100512)



## OVERCURRENT CHARACTERISTICS (ZW100512)



## DERATING CURVE

