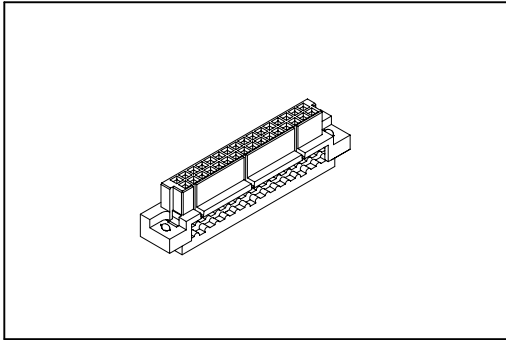


# 9001 Series

## DIN41612 I.D.C. Type 2 Rows Female



### Material:

Housing: 30% Glass Filled PBT UL94V-0.

Contacts: Phosphor Bronze.

### Electrical Characteristics:

Current Rating: 2 A.

Dielectric Withstanding Voltage: AC 1000V.

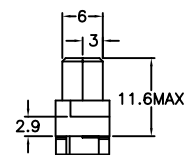
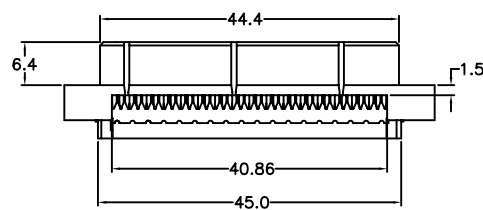
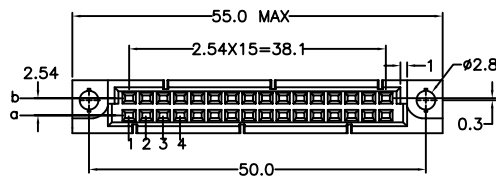
Insulator Resistance: 1000MΩ min.

Contact Resistance: 30mΩ max.

Operating Temperature: -55°C ~+105°C .

### Features:

- \* UL, cUL listing.
- \* Mates with Male 2Row  
9001-3532, Half B Type.  
9001-3732, Half Q Type.



## Ordering information

<u>9001-</u>	<u>3</u>	<u>6</u>	<u>32</u>	<u>IDC</u>	<u>00</u>	<u>A</u>
Series	3: 2Row Insulators For 1.27 Cable	6: Female	Position		00: G/F 10: 10 μ" 15: 15 μ" 30: 30 μ"	A: Tray Package

\*Standard Gold Flash.