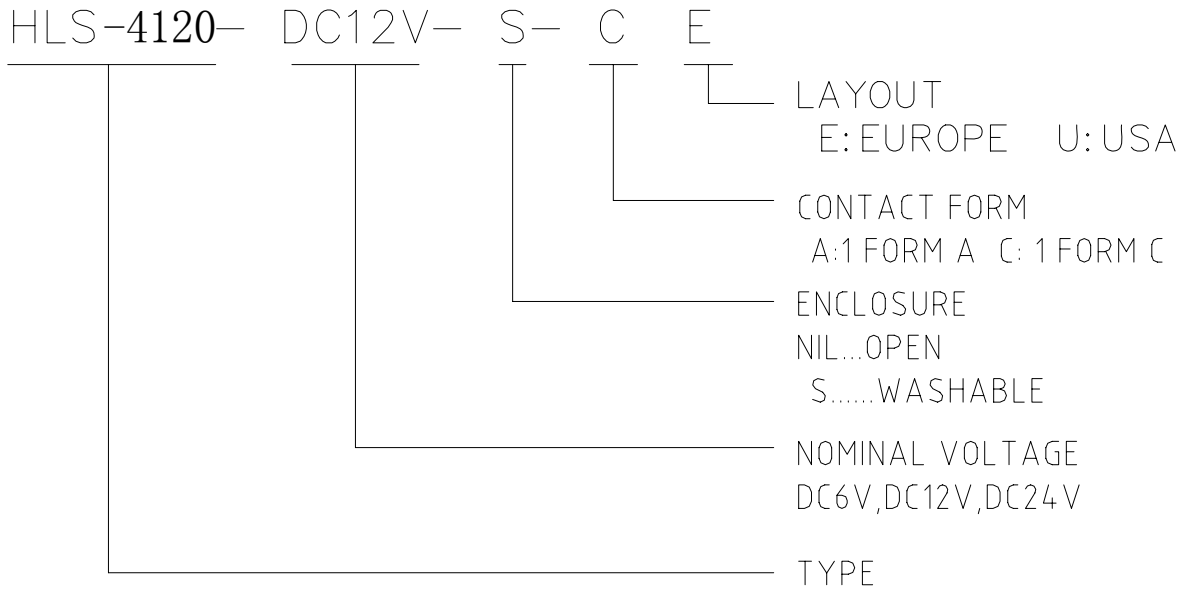


ORDERING CODE 订购代码



CONTACT DATA 触点参数:

| | | |
|----------------------------|-----------|---------------------------------|
| Contact Form | 触点形式 | 1A 1C |
| Contact Material | 触点材料 | Ag Alloy |
| Contact Ratings | 触点负载 | 1A:40A 14VDC 1C: 30A 14VDC |
| Max Switching Voltage | 最大转换电压 | 30VDC |
| Max Switching Current | 最大转换电流 | 40A |
| Max Switching Power | 最大转换功率 | 560W |
| Initial Contact Resistance | 接触电阻 (首次) | 100mΩ Max at6VDC 1A |
| Life Expectancy Electrical | 电气寿命 | 100,000 Operations (rated load) |
| Life Expectancy Mechanical | 机械寿命 | 10,000,000 Operations (no load) |

GENERAL DATA 一般参数:

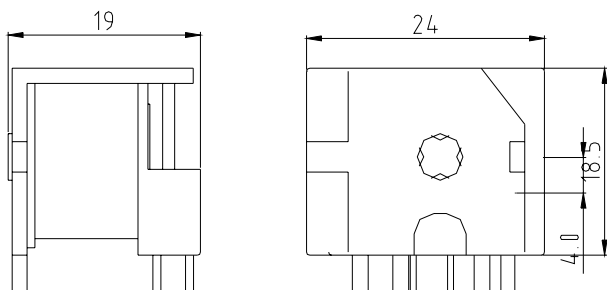
| | | |
|---|----------|---------------------------------|
| Insulation Resistance | 绝缘阻值 | 100MΩ min at500VDC |
| Dielectric Strength Between Open Contacts | 触点间耐压 | 500VAC 50-60HZ (1 minute) |
| Dielectric Strength Between Contacts And Coil | 触点与线圈间耐压 | 750VAC 50-60HZ (1 minute) |
| Operate Time | 吸合时间 | 5ms max |
| Release Time | 释放时间 | 4ms max |
| Ambient Temperature | 环境温度 | -40°C to +85°C |
| Shock Resistance | 冲击 | 10G |
| Vibration Resistance | 振动 | 10-55Hz, 1.5mm double amplitude |
| Ambient humidity | 湿度 | 40-85% RH |
| Weight | 重量 | Approx 30g |
| Safety Standard | 安全标准 | |

COIL DATA 线圈参数: (@20°C)

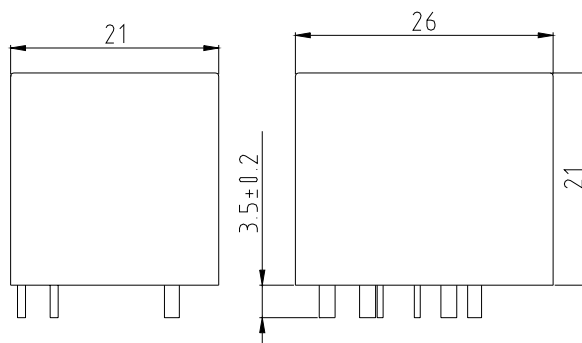
| Rated Voltage 额定电压 (VDC) | Coil Resistance Ω ($\pm 10\%$) 线圈阻值 1.6W | Max Operate Voltage 最大吸合电压 (VDC) | Min Release Voltage 最小释放电压 (VDC) | Max Applied Voltage 最大允许电压 (VDC) |
|--------------------------------|--|--|--|--|
| 6 | 23 | 3.9 | 0.6 | 7.8 |
| 12 | 90 | 7.8 | 1.2 | 15.6 |
| 24 | 360 | 15.6 | 2.4 | 31.2 |

Outline Dimension 外形尺寸 (mm)

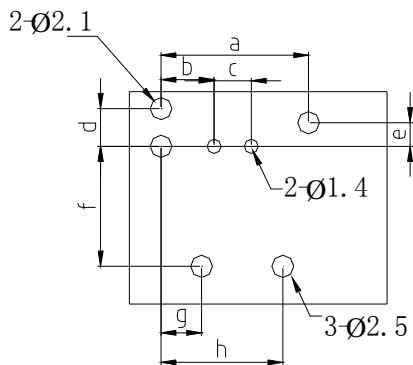
Open Type 敞开式



Sealed Type 密封式



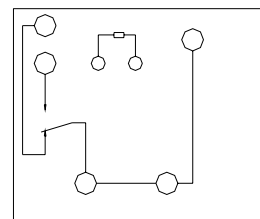
PC Board Layout 安装图



| | U.S.A | EUROPE |
|---|-------|--------|
| a | 14.88 | 15.9 |
| b | 5.35 | 5.9 |
| c | 3.75 | 4.2 |
| d | 3.75 | 3.3 |
| e | 2.33 | 2.2 |
| f | 11.8 | 12.1 |
| g | 4.08 | 2.2 |
| h | 12.28 | 13.2 |

(Bottom View) 底视

Wiring Diagram 接线图



(Bottom View) 底视