



# 汽车继电器

YL314

- 40A continuous rating 85°C
- 1A&1C arrangements
- Plug-in or PC board terminals
- Optional mounting bracket
- Conform to RoHS,ELV directive



28×28×25  
28×31.8×41

## ■ ORDERING CODE 订购代码

YL314	L	—	12V	—	C	—	S	—	P
1	2	3	4	5	6	7			

1. Relay Model 继电器型号	5. 触点转换形式
2. Coil Power 线圈功率 D=1.9W; L=1.6W	C: FORM C A: FORM A B: FORM B
3. Coil Nominal Voltage 线圈额定电压 6,12,24VDC	6. S- WASHABLE (有背) Nil: WITHOUT BRACKET(无背)
4. Nil: Standard (标准) R1: Coil parallel with 1/2W resistor 680Ω for Coil voltage 12VDC; 2700Ω for coil voltage 24VDC D1/D2: With diode(详见安装图)	7. P: PCB Type Nil: B Type

## ■ COIL DATA 线圈参数 (at 20°C)

Nominal Voltage 额定电压(VDC)	6	12	24	1.6W
Coil Resistance 线圈阻值(Ω ±10%)	23	90	360	
Rated Current 额定电流(mA)	267	133	67	
Max Operate Voltage 最大吸合电压(VDC)	3.9	7.8	15.6	
Min Release Voltage 最小释放电压(VDC)	0.6	1.2	2.4	
Coil Resistance 线圈阻值(Ω ±10%)	19	76	300	1.9W
Rated Current 额定电流(mA)	317	158	79	
Max Operate Voltage 最大吸合电压(VDC)	3.9	7.8	15.6	
Min Release Voltage 最小释放电压(VDC)	0.6	1.2	2.4	
Max Applicable Voltage 最大过载电压	70°C时额定电压的130%，23°C时额定电压的170%			

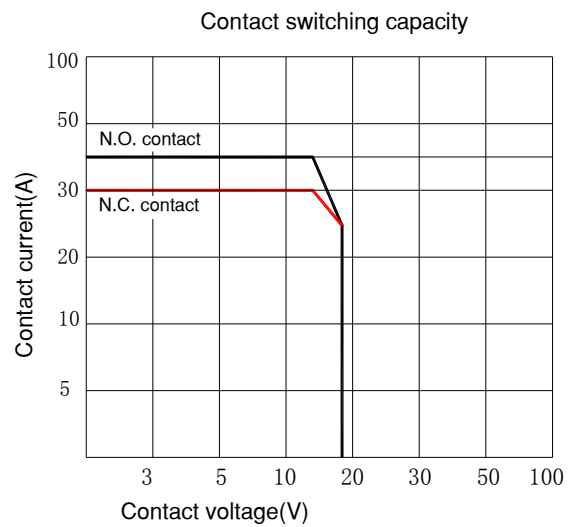
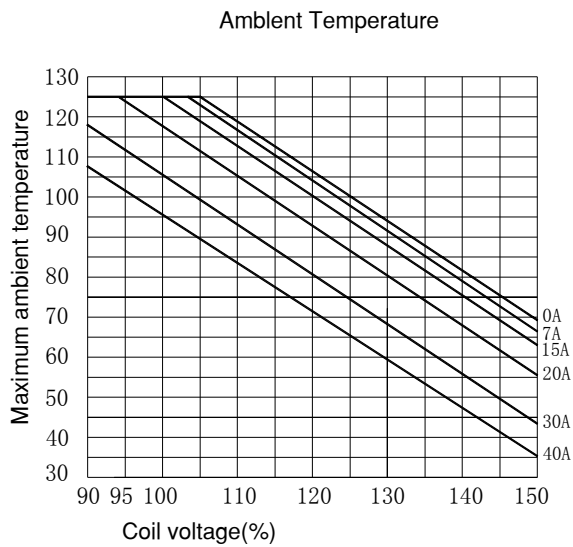
## ■ CONTACT DATA 触点参数

Contact Form 触点形式	1H/1Z
Contact Material 触点材料	Silver Alloy
Load 负载	Resistive load(COS Φ 1)
Contact Ratings 触点负载	NO: 40A 14VDC NC: 30A 14VDC
Max Switching Voltage 最大转换电压	30VDC
Max Switching Current 最大转换电流	40A
Max Switching Power 最大转换功率	560W
Contact Resistance 接触电阻	100mΩ Max at 6VDC 1A
Life Expectancy 寿命	Electrical 电气寿命: 100,000 Operations(at30Operations/minute)
	Mechanical 机械寿命: 10,000,000 Operations(at300Operations/minute)

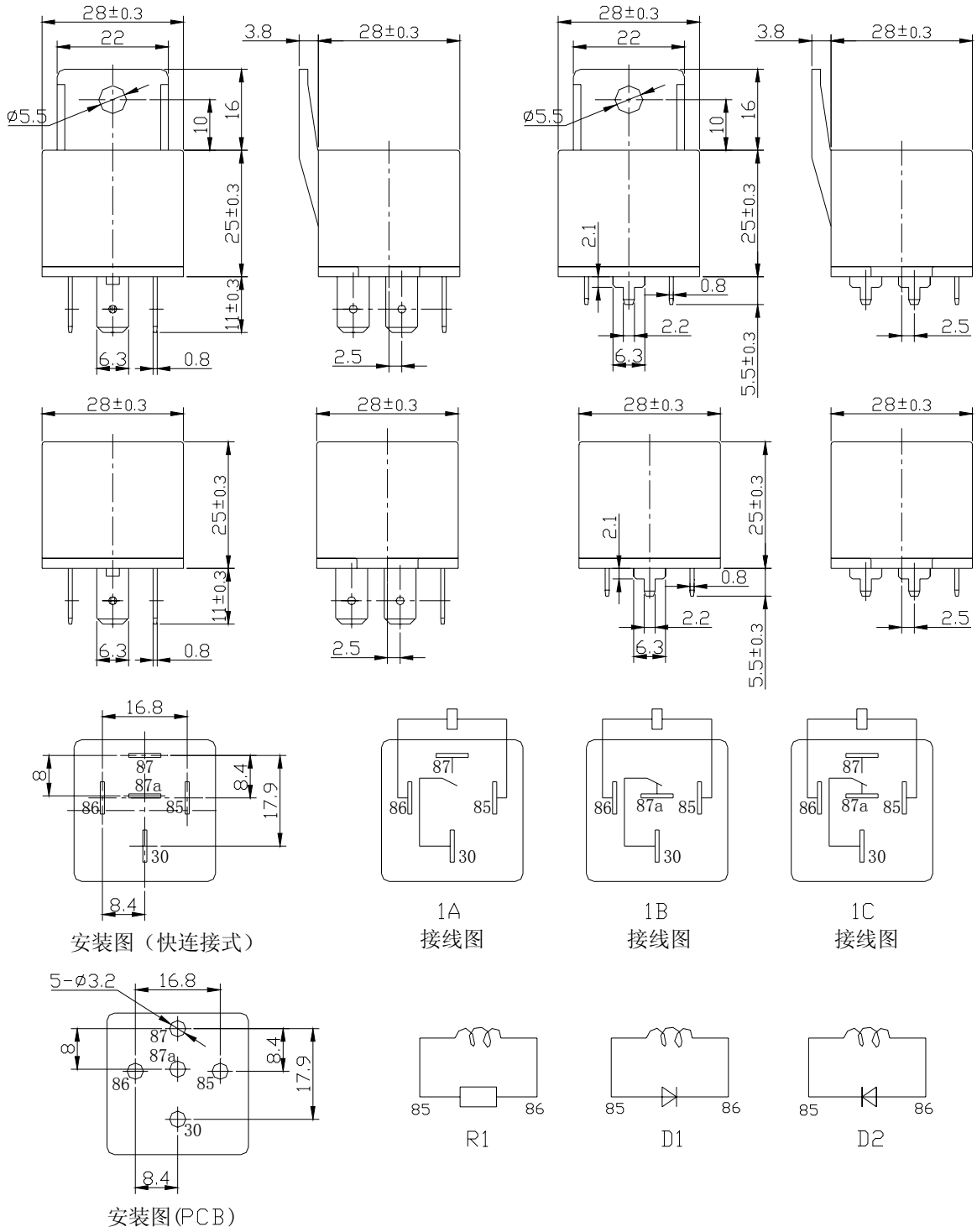
## ■ CHARACTERISTICS DATA 性能参数

Insulation Resistance绝缘阻值	100M $\Omega$ Min at 500VDC
Dielectric Strength Between Open Contacts触点间耐压	500VAC(for one minute)
Between Contacts and coil触点与线圈间耐压	750VAC(for one minute)
Operate Time吸合时间	10ms
Release Time释放时间	10ms
Temperature Range环境温度	-40 $^{\circ}$ C to +85 $^{\circ}$ C
Shock Resistance冲击	Operating Extremes动作极限: 10G
	Damage Limits破坏极限: 20G
Vibration Resistance振动	10-40Hz, 1.5mm
Max. switching frequency最大转换频率	Mechanical: 18,000operations/hr
	Electrical: 1,800operations/hr
Humidity湿度	40-85%
Weight重量	Approx 40g

## ■ ENGINEERING DATA 设计参数



## OVERALL AND MOUNTING DIMENSIONS 安装图



### 声明:

本产品规格书仅供客户使用时参考, 如有更改, 恕不另行通知。