

### Features

- Low power consumption
- Low voltage drop
- Low temperature coefficient
- High input voltage (up to 24V)
- High output current : 100mA ( $P_d \leq 250\text{mW}$ )
- Output voltage accuracy: tolerance  $\pm 3\%$
- TO-92, SOT-89 and SOT-25 package

### Applications

- Battery-powered equipment
- Communication equipment
- Audio/Video equipment

### General Description

The HT75XX-1 series is a set of three-terminal high current low voltage regulator implemented in CMOS technology. They can deliver 100mA output current and allow an input voltage as high as 24V. They are available with several fixed output voltages ranging from 3.0V to 5.0V. CMOS technology ensures low voltage drop and low quiescent current.

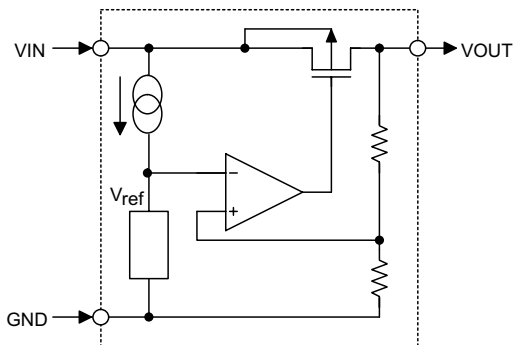
Although designed primarily as fixed voltage regulators, these devices can be used with external components to obtain variable voltages and currents.

### Selection Table

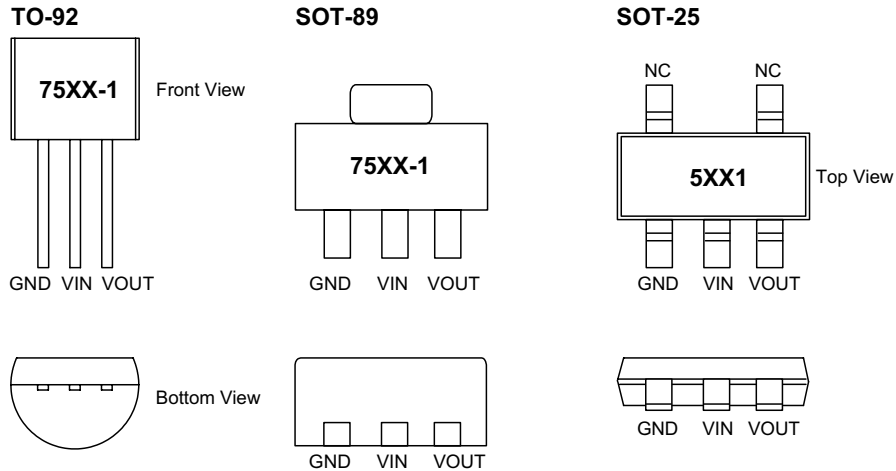
Part No.	Output Voltage	Tolerance	Package	Marking
HT7530-1	3.0V	$\pm 3\%$	TO-92 SOT-89 SOT-25	75XX-1 (for TO-92) 75XX-1 (for SOT-89) 5XX1 (for SOT-25)
HT7533-1	3.3V	$\pm 3\%$		
HT7536-1	3.6V	$\pm 3\%$		
HT7544-1	4.4V	$\pm 3\%$		
HT7550-1	5.0V	$\pm 3\%$		

Note: "XX" stands for output voltages.

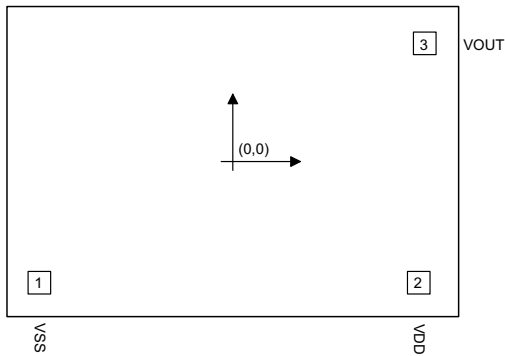
### Block Diagram



**Pin Assignment**



**Pad Assignment**



**Pad Coordinates**

Unit:  $\mu\text{m}$

Pad No.	X	Y
1	-639.00	-406.00
2	618.50	-406.00
3	641.85	392.10

Chip size:  $1540 \times 1070 (\mu\text{m})^2$

\*The IC substrate should be connected to VDD in the PCB layout artwork.

**Absolute Maximum Ratings**

Supply Voltage .....	-0.3V to 26V	Storage Temperature .....	-50°C to 125°C
Power Consumption (*1) .....	250mW	Operating Temperature .....	0°C to 70°C
Power Consumption (*2) .....	150mW		

Note: These are stress ratings only. Stresses exceeding the range specified under "Absolute Maximum Ratings" may cause substantial damage to the device. Functional operation of this device at other conditions beyond those listed in the specification is not implied and prolonged exposure to extreme conditions may affect device reliability.

\*1: applied to SOT89 and TO-92

\*2: applied to SOT-25

**Electrical Characteristics**
**HT7530-1, +3.0V output type**

Ta=25°C

Symbol	Parameter	Test Conditions		Min.	Typ.	Max.	Unit
		V <sub>IN</sub>	Conditions				
V <sub>OUT</sub>	Output Voltage Tolerance	5V	I <sub>OUT</sub> =10mA	2.91	3.0	3.09	V
I <sub>OUT</sub>	Output Current	5V	—	60	100	—	mA
ΔV <sub>OUT</sub>	Load Regulation	5V	1mA≤I <sub>OUT</sub> ≤50mA	—	60	150	mV
V <sub>DIF</sub>	Voltage Drop	—	I <sub>OUT</sub> =1mA	—	100	—	mV
I <sub>SS</sub>	Current Consumption	5V	No load	—	3.5	7	μA
$\frac{\Delta V_{OUT}}{\Delta V_{IN} \times V_{OUT}}$	Line Regulation	—	4V≤V <sub>IN</sub> ≤24V I <sub>OUT</sub> =1mA	—	0.2	—	%/V
V <sub>IN</sub>	Input Voltage	—	—	—	—	24	V
$\frac{\Delta V_{OUT}}{\Delta T_a}$	Temperature Coefficient	5V	I <sub>OUT</sub> =10mA 0°C<T <sub>a</sub> <70°C	—	±0.45	—	mV/°C

**HT7533-1, +3.3V output type**

Ta=25°C

Symbol	Parameter	Test Conditions		Min.	Typ.	Max.	Unit
		V <sub>IN</sub>	Conditions				
V <sub>OUT</sub>	Output Voltage Tolerance	5.5V	I <sub>OUT</sub> =10mA	3.201	3.3	3.399	V
I <sub>OUT</sub>	Output Current	5.5V	—	60	100	—	mA
ΔV <sub>OUT</sub>	Load Regulation	5.5V	1mA≤I <sub>OUT</sub> ≤50mA	—	60	150	mV
V <sub>DIF</sub>	Voltage Drop	—	I <sub>OUT</sub> =1mA	—	100	—	mV
I <sub>SS</sub>	Current Consumption	5.5V	No load	—	3.5	7	μA
$\frac{\Delta V_{OUT}}{\Delta V_{IN} \times V_{OUT}}$	Line Regulation	—	4.5V≤V <sub>IN</sub> ≤24V I <sub>OUT</sub> =1mA	—	0.2	—	%/V
V <sub>IN</sub>	Input Voltage	—	—	—	—	24	V
$\frac{\Delta V_{OUT}}{\Delta T_a}$	Temperature Coefficient	5.5V	I <sub>OUT</sub> =10mA 0°C<T <sub>a</sub> <70°C	—	±0.5	—	mV/°C

**HT7536-1, +3.6V output type**

Ta=25°C

Symbol	Parameter	Test Conditions		Min.	Typ.	Max.	Unit
		V <sub>IN</sub>	Conditions				
V <sub>OUT</sub>	Output Voltage Tolerance	5.6V	I <sub>OUT</sub> =10mA	3.492	3.6	3.708	V
I <sub>OUT</sub>	Output Current	5.6V	—	60	100	—	mA
ΔV <sub>OUT</sub>	Load Regulation	5.6V	1mA≤I <sub>OUT</sub> ≤50mA	—	60	150	mV
V <sub>DIF</sub>	Voltage Drop	—	I <sub>OUT</sub> =1mA	—	100	—	mV
I <sub>SS</sub>	Current Consumption	5.6V	No load	—	3.5	7	μA
$\frac{\Delta V_{OUT}}{\Delta V_{IN} \times V_{OUT}}$	Line Regulation	—	4.6V≤V <sub>IN</sub> ≤24V I <sub>OUT</sub> =1mA	—	0.2	—	%/V
V <sub>IN</sub>	Input Voltage	—	—	—	—	24	V
$\frac{\Delta V_{OUT}}{\Delta T_a}$	Temperature Coefficient	5.6V	I <sub>OUT</sub> =10mA 0°C<T <sub>a</sub> <70°C	—	±0.6	—	mV/°C

**HT7544-1, +4.4V output type**

Ta=25°C

Symbol	Parameter	Test Conditions		Min.	Typ.	Max.	Unit
		V <sub>IN</sub>	Conditions				
V <sub>OUT</sub>	Output Voltage Tolerance	6.4V	I <sub>OUT</sub> =10mA	4.268	4.4	4.532	V
I <sub>OUT</sub>	Output Current	6.4V	—	60	100	—	mA
ΔV <sub>OUT</sub>	Load Regulation	6.4V	1mA ≤ I <sub>OUT</sub> ≤ 50mA	—	60	150	mV
V <sub>DIF</sub>	Voltage Drop	—	I <sub>OUT</sub> =1mA	—	100	—	mV
I <sub>SS</sub>	Current Consumption	6.4V	No load	—	3.5	7	μA
$\frac{\Delta V_{OUT}}{\Delta V_{IN} \times V_{OUT}}$	Line Regulation	—	5.4V ≤ V <sub>IN</sub> ≤ 24V I <sub>OUT</sub> =1mA	—	0.2	—	%/V
V <sub>IN</sub>	Input Voltage	—	—	—	—	24	V
$\frac{\Delta V_{OUT}}{\Delta T_a}$	Temperature Coefficient	6.4V	I <sub>OUT</sub> =10mA 0°C < Ta < 70°C	—	±0.7	—	mV/°C

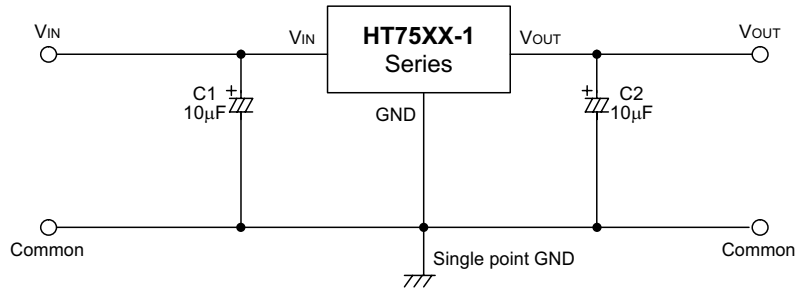
**HT7550-1, +5.0V output type**

Ta=25°C

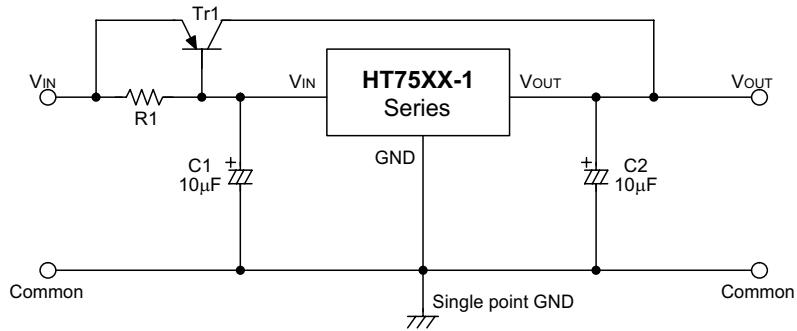
Symbol	Parameter	Test Conditions		Min.	Typ.	Max.	Unit
		V <sub>IN</sub>	Conditions				
V <sub>OUT</sub>	Output Voltage Tolerance	7V	I <sub>OUT</sub> =10mA	4.85	5.0	5.15	V
I <sub>OUT</sub>	Output Current	7V	—	100	150	—	mA
ΔV <sub>OUT</sub>	Load Regulation	7V	1mA ≤ I <sub>OUT</sub> ≤ 70mA	—	60	150	mV
V <sub>DIF</sub>	Voltage Drop	—	I <sub>OUT</sub> =1mA	—	100	—	mV
I <sub>SS</sub>	Current Consumption	7V	No load	—	3.5	7	μA
$\frac{\Delta V_{OUT}}{\Delta V_{IN} \times V_{OUT}}$	Line Regulation	—	6V ≤ V <sub>IN</sub> ≤ 24V I <sub>OUT</sub> =1mA	—	0.2	—	%/V
V <sub>IN</sub>	Input Voltage	—	—	—	—	24	V
$\frac{\Delta V_{OUT}}{\Delta T_a}$	Temperature Coefficient	7V	I <sub>OUT</sub> =10mA 0°C < Ta < 70°C	—	±0.75	—	mV/°C

**Application Circuits**

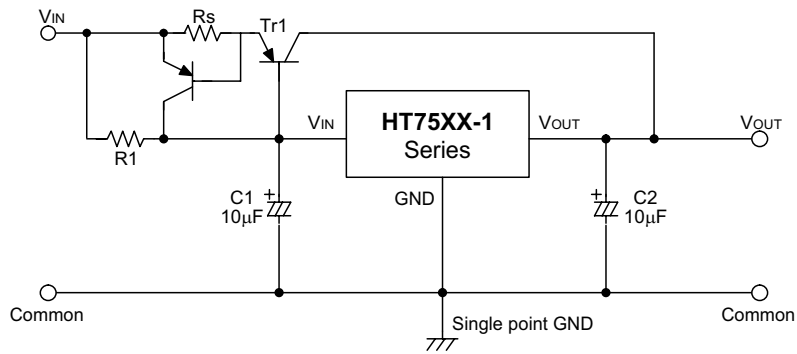
**Basic circuit**



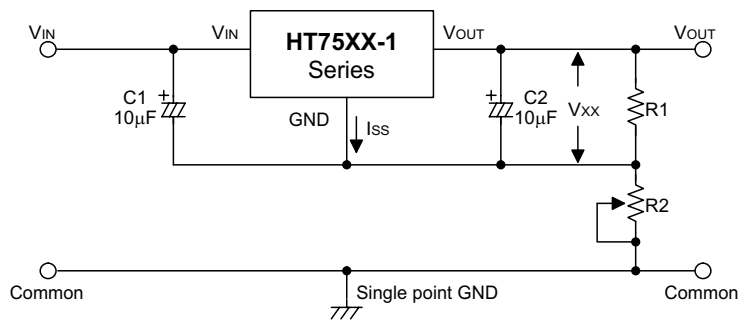
**High output current positive voltage regulator**



**Short-Circuit protection for Tr1**

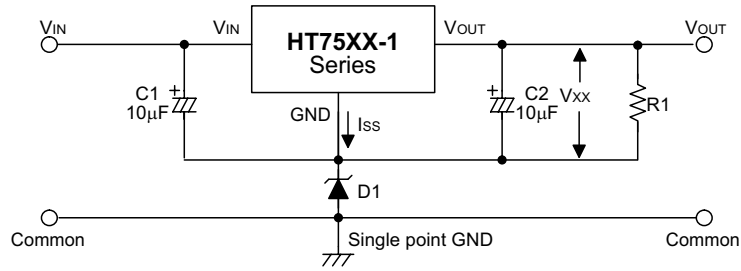


**Circuit for increasing output voltage**



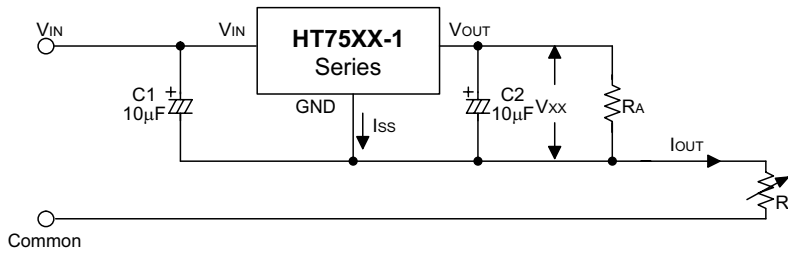
$$V_{OUT} = V_{xx} \left( 1 + \frac{R2}{R1} \right) + I_{ss} R2$$

**Circuit for increasing output voltage**



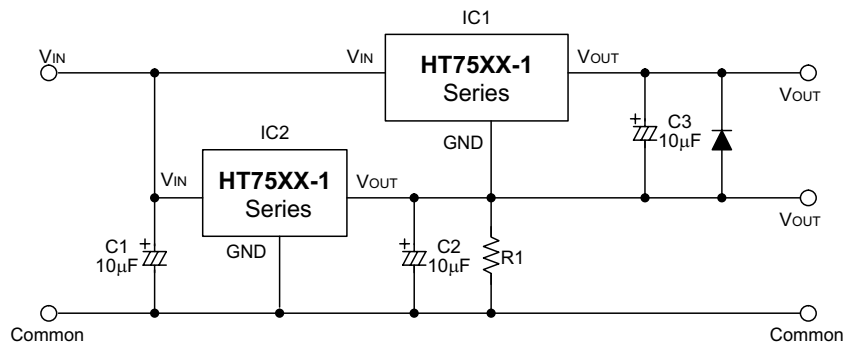
$$V_{OUT} = V_{xx} + V_{D1}$$

**Constant current regulator**



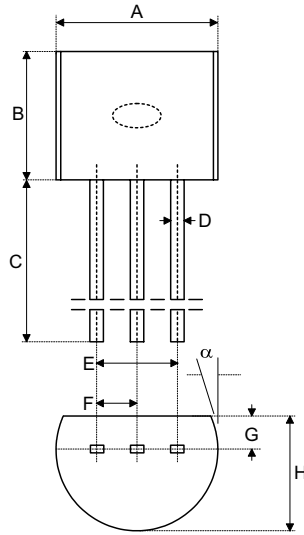
$$I_{OUT} = \frac{V_{xx}}{R_A} + I_{ss}$$

**Dual supply**



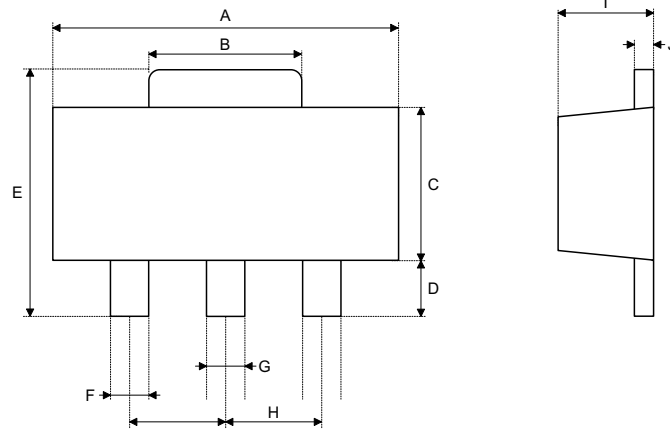
**Package Information**

3-pin TO-92 outline dimensions



Symbol	Dimensions in mil		
	Min.	Nom.	Max.
A	170	—	200
B	170	—	200
C	500	—	—
D	11	—	20
E	90	—	110
F	45	—	55
G	45	—	65
H	130	—	160
I	8	—	18
$\alpha$	4°	—	6°

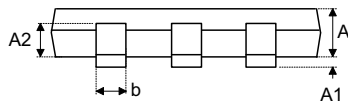
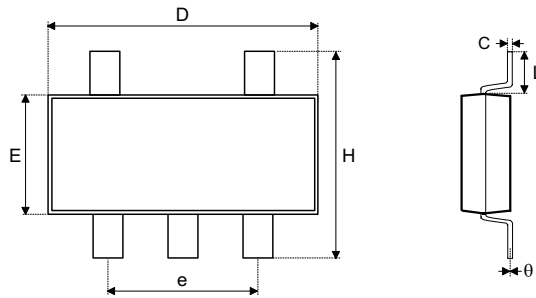
3-pin SOT-89 outline dimensions



Symbol	Dimensions in mil		
	Min.	Nom.	Max.
A	173	—	181
B	64	—	72
C	90	—	102
D	35	—	47
E	155	—	167
F	14	—	19
G	17	—	22
H	—	59	—
I	55	—	63
J	14	—	17



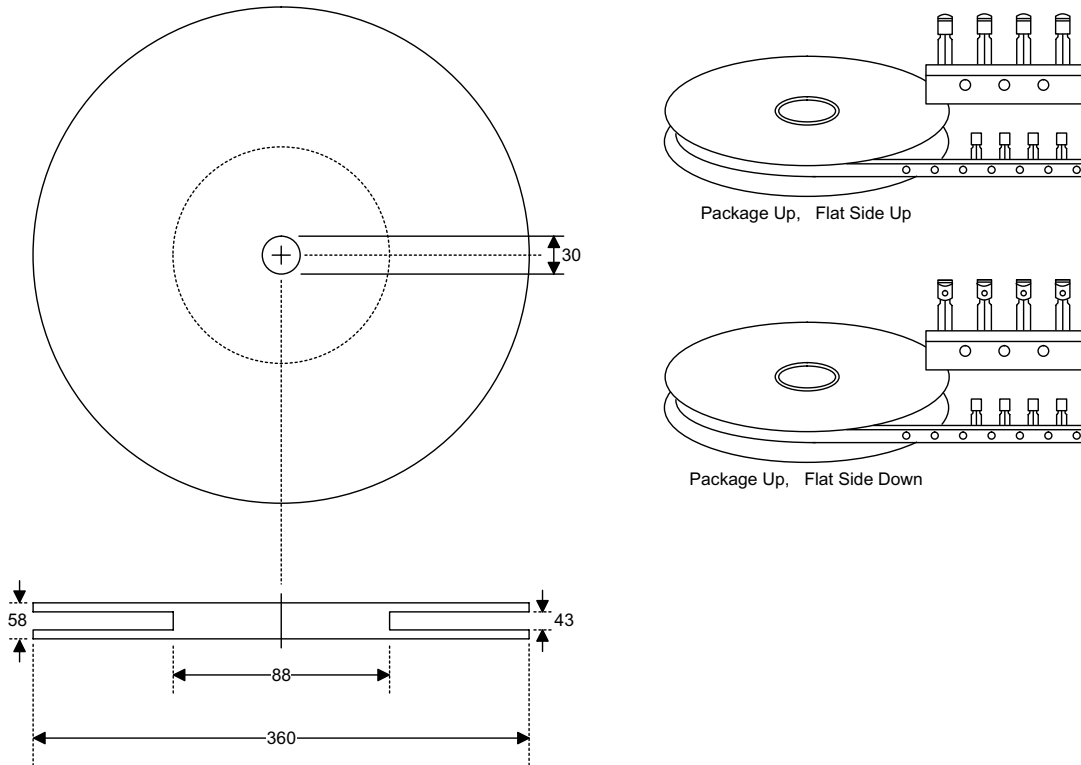
**5-pin SOT-25 outline dimensions**



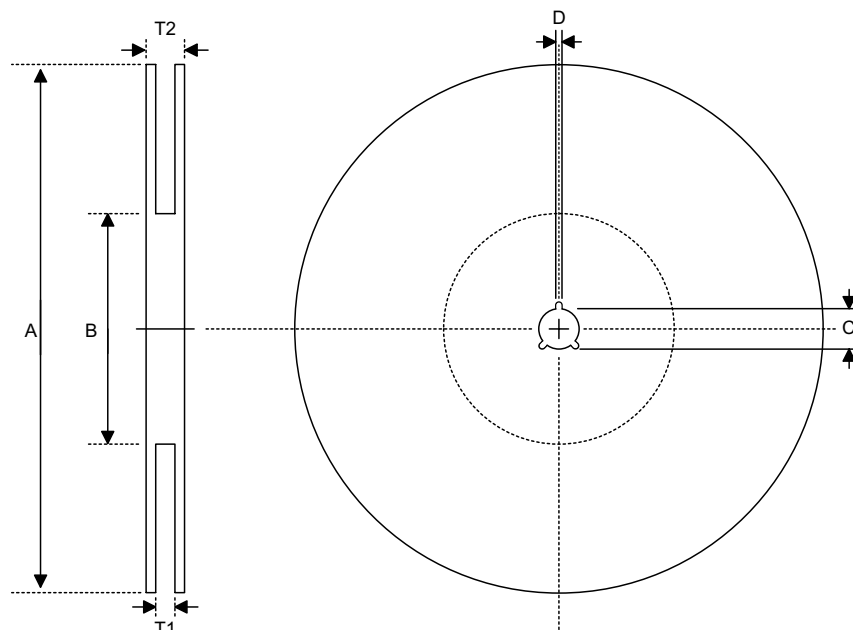
Symbol	Dimensions in mm		
	Min.	Nom.	Max.
A	1.00	—	1.30
A1	—	—	0.10
A2	0.70	—	0.90
b	0.35	—	0.50
C	0.10	—	0.25
D	2.70	—	3.10
E	1.40	—	1.80
e	—	1.90	—
H	2.60	—	3
L	0.37	—	—
θ	1°	—	9°

### Product Tape and Reel Specifications

TO-92 reel dimensions (Unit: mm)



**SOT-89 & SOT-25 reel dimensions**

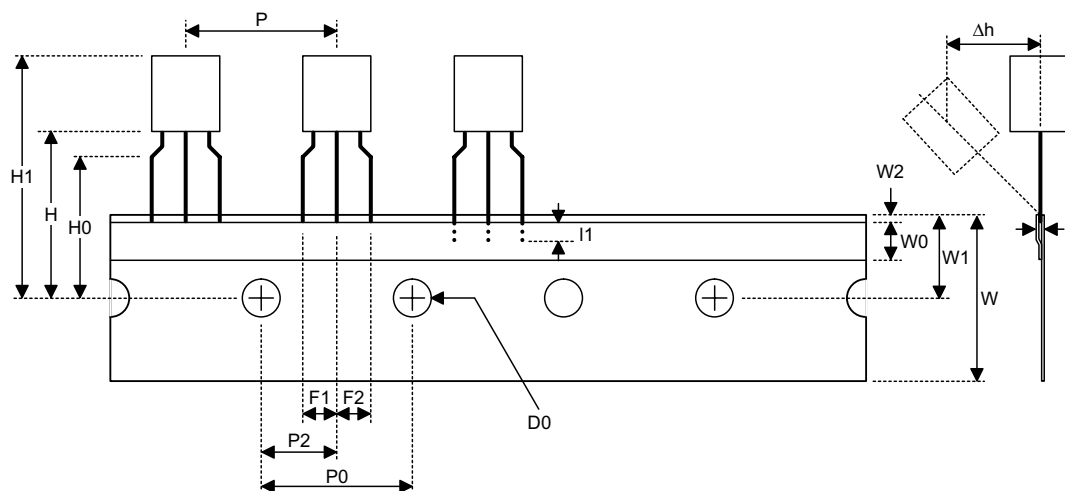


**SOT-89**

Symbol	Description	Dimensions in mm
A	Reel Outer Diameter	180±1.0
B	Reel Inner Diameter	62±1.5
C	Spindle Hole Diameter	12.75+0.15
D	Key Slit Width	1.9±0.15
T1	Space Between Flange	12.4+0.2
T2	Reel Thickness	17-0.4

**SOT-25**

Symbol	Description	Dimensions in mm
A	Reel Outer Diameter	178±1.0
B	Reel Inner Diameter	62±1.0
C	Spindle Hole Diameter	13.0±0.2
D	Key Slit Width	2.5±0.25
T1	Space Between Flange	8.4+1.5 -0.0
T2	Reel Thickness	11.4+1.5

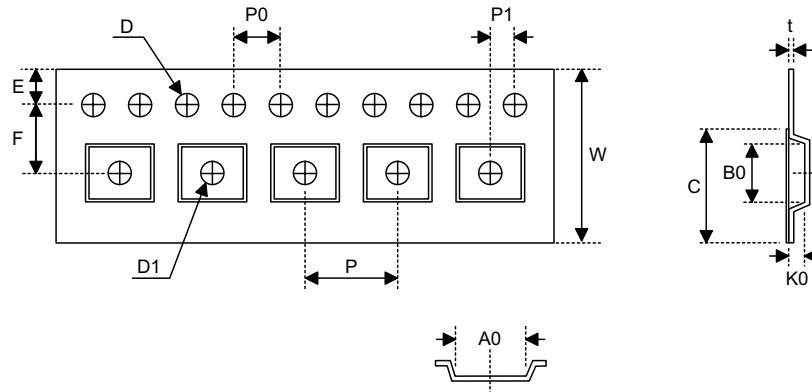
**TO-92 carrier tape dimensions**

**TO-92**

Symbol	Description	Dimensions in mm
l1	Taped Lead Length	(2.5)
P	Component Pitch	12.7±1.0
P <sub>0</sub>	Perforation Pitch	12.7±0.3
P <sub>2</sub>	Component to Perforation (Length Direction)	6.35±0.4
F <sub>1</sub>	Lead Spread	2.5+0.4 -0.1
F <sub>2</sub>	Lead Spread	2.5+0.4 -0.1
Δh	Component Alignment	0±0.1
W	Carrier Tape Width	18.0+1.0 -0.5
W <sub>0</sub>	Hold-down Tape Width	6.0±0.5
W <sub>1</sub>	Perforation Position	9.0±0.5
W <sub>2</sub>	Hold-down Tape Position	(0.5)
H <sub>0</sub>	Lead Clinch Height	16.0±0.5
H <sub>1</sub>	Component Height	Less than 24.7
D <sub>0</sub>	Perforation Diameter	4.0±0.2
t	Taped Lead Thickness	0.7±0.2
H	Component Base Height	19.0±0.5

Note: Thickness less than 0.38±0.05mm~0.5mm

P<sub>0</sub> Accumulated pitch tolerance: ±1mm/20pitches.

( ) Bracketed figures are for consultation only

**SOT-89 & SOT-25 carrier tape dimensions**

**SOT-89**

Symbol	Description	Dimensions in mm
W	Carrier Tape Width	12.0+0.3 -0.1
P	Cavity Pitch	8.0±0.1
E	Perforation Position	1.75±0.1
F	Cavity to Perforation (Width Direction)	5.5±0.05
D	Perforation Diameter	1.5+0.1
D1	Cavity Hole Diameter	1.5+0.1
P0	Perforation Pitch	4.0±0.1
P1	Cavity to Perforation (Length Direction)	2.0±0.10
A0	Cavity Length	4.8±0.1
B0	Cavity Width	4.5±0.1
K0	Cavity Depth	1.8±0.1
t	Carrier Tape Thickness	0.30±0.013
C	Cover Tape Width	9.3

**SOT-25**

Symbol	Description	Dimensions in mm
W	Carrier Tape Width	8.0±0.3
P	Cavity Pitch	4.0
E	Perforation Position	1.75
F	Cavity to Perforation (Width Direction)	3.5±0.05
D	Perforation Diameter	1.5+0.1
D1	Cavity Hole Diameter	1.5+0.1
P0	Perforation Pitch	4.0
P1	Cavity to Perforation (Length Direction)	2.0
A0	Cavity Length	3.15
B0	Cavity Width	3.2
K0	Cavity Depth	1.4
t	Carrier Tape Thickness	0.20±0.03
C	Cover Tape Width	5.3