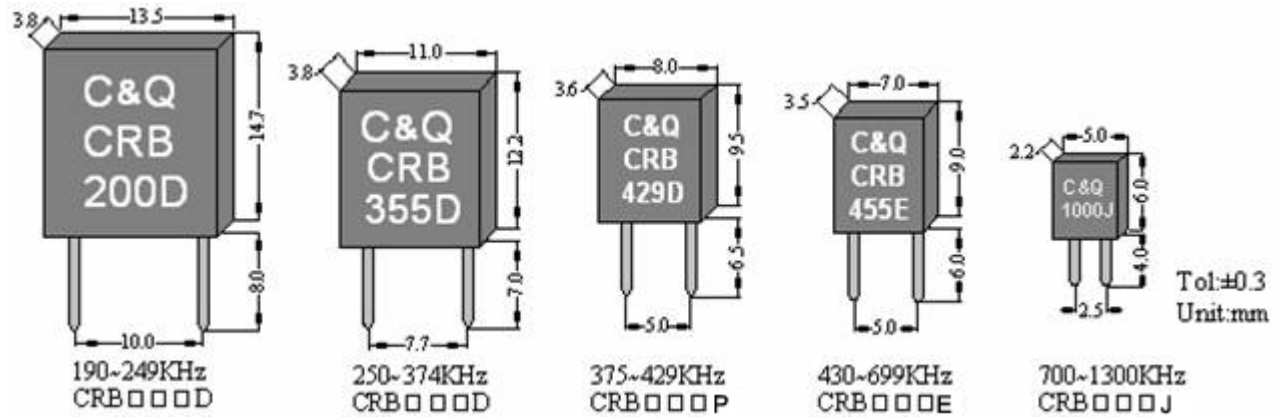


Ceramic Resonator CRB/ZTB Series

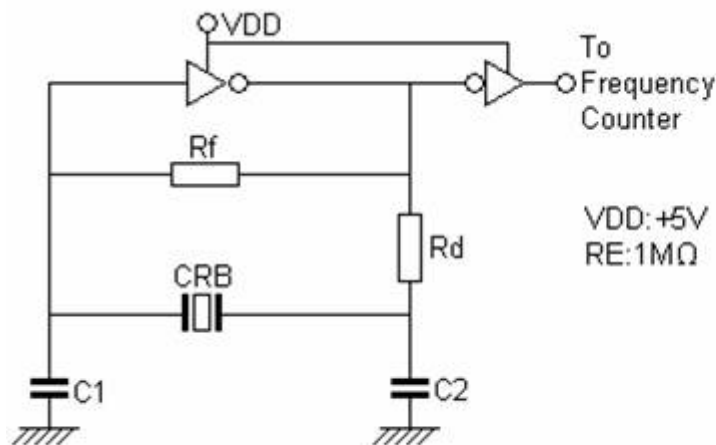
Dimension



Principal Parameters

Part No.	Center Frequency (KHz)	Frequency Range (KHz)	Stability in temperature (-20°C~+80°C) (KHz)	Age (Ten Years)	Load Capacitance	
					C1(pF)	C2(pF)
ZTB□□□	82~134	±2.0KHz	±0.3	±0.3	/	/
CRB□□□D	190~249	±1.0KHz	±0.3	±0.3	330	470
CRB□□□D	250~374	±1.0KHz	±0.3	±0.3	220	470
CRB□□□P	375~429	±2.0KHz	±0.3	±0.3	120	470
CRB□□□E	430~699	±2.0KHz	±0.3	±0.3	100	100
CRB□□□J	700~1300	±0.5%	±0.3	±0.3	100	100
CRB456F16	456	±2.0KHz	±0.3	±0.3	300	300

Measuring Circuit



Frequency Range 频率范围	Rf	Rd
190~249KHz	1MΩ	0
250~374KHz	1MΩ	0
375~429KHz	1MΩ	0
430~699KHz	1MΩ	0
700~1250KHz	1MΩ	5.6kΩ

Wuhan Sunncom Technology Co.,LTD

www.sunncom.cn

sunncom@sunncom.cn

Tel: +86 27 88840916

Fax: +86 27 88924696