

JQX-76F 大功率电磁继电器  
Power relay

## 型号说明 Part number description



JQX-76F-TU-2A



JQX-76F-TK-2A



JQX-76F-BLD-2A



JQX-76F-P-2A

JQX-76F-□□□□□

端子形式 Terminal form  
 P: 焊接式端子 PCB terminal  
 T: 插入式端子 Plug-in terminal  
 B: 螺钉式端子 Bolt terminal  
 BL: 螺钉端子带防触摸罩、带通断LED指示  
 Bolt terminal+protective cover+LED

罩壳形式 Cover form  
 无 None:普通罩壳 Ordinary cover  
 C:普通罩壳带塑料附件 With plastics clip  
 U:顶耳安装罩壳 Top-flange mount  
 D:导轨安装罩壳 Din rail  
 K:扳扣安装罩壳 Plastic lip

触点形式 Contact form  
 1A:一组常开 1A:normally open  
 2A:二组常开 2A:normally open

线圈电压 Coil voltage  
 6~220VDC  
 6~400VAC

特殊功能 Special options

## 产品特点 Features

- 体积小; • 负载功率大; • 广泛用于空调、冰箱等大负载电路。
- Designed for high inrush current load • Application air-condition refrigerator, compressor etc.

## 产品性能 Specification

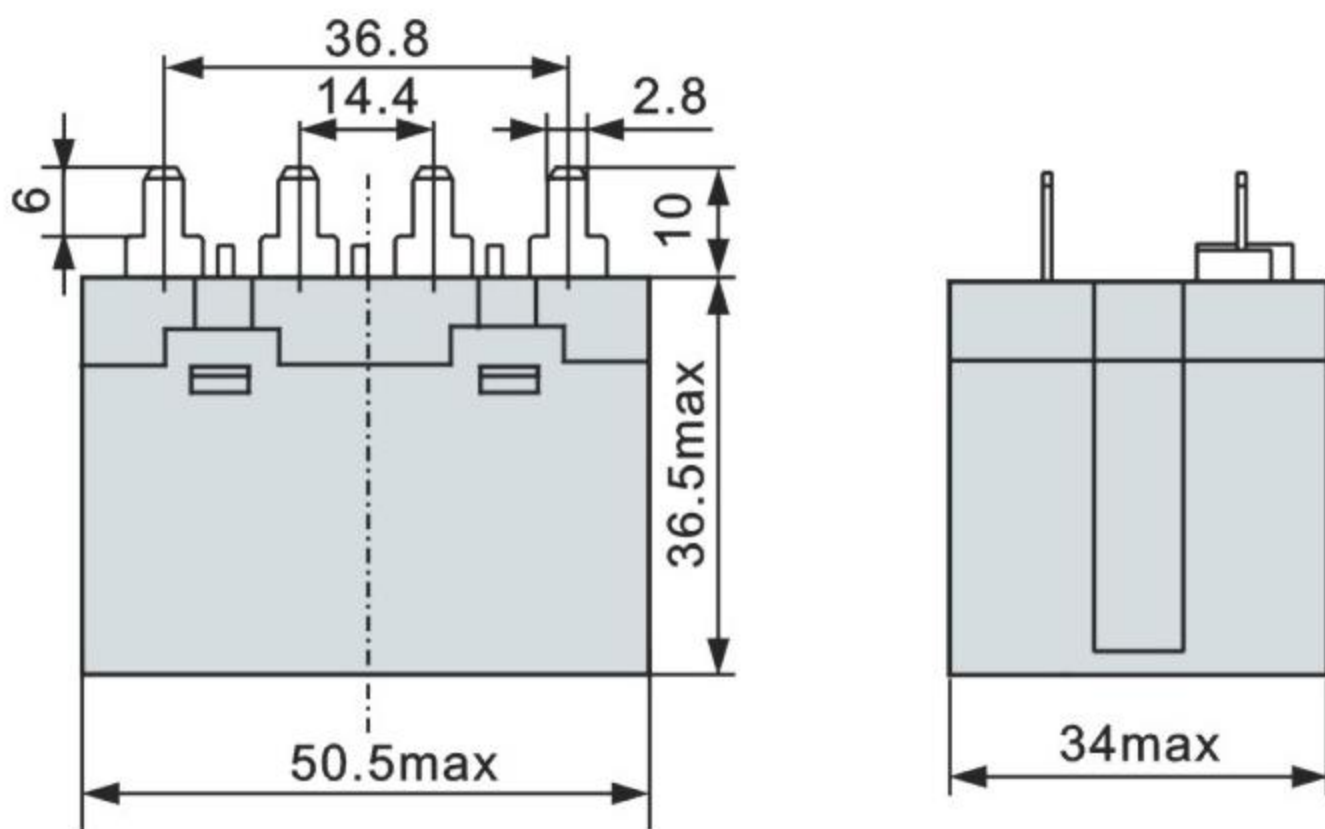
触点 Contact	形式 Contact form		1A	2A
	负载 Rated load	阻性 Resistive (AC-1)	277VAC,30A	277VAC,25A
		马达 Motor (AC-15)	1.5HP,120VAC 3HP,240VAC	
切换功率(阻性) Operating power(Resistive)			8310VA	6925VA
接触电阻(初始) Contact resistance(Initial)			≤50mΩ	
材料 Material			银合金 Ag alloy	
电气寿命(频率1S通, 1S断) Electrical life			≥10 <sup>5</sup> 次 cycles(1800 Ops/h)	
机械寿命(频率300次/1分钟) Mechanical life			≥5×10 <sup>6</sup> 次 cycles(18000 Ops/h)	
吸合电压(25℃) Operate voltage(at 25℃)			AC,DC:≤75%Rated voltage	
释放电压(25℃) Release voltage(at 25℃)			AC,DC:≥15%Rated voltage	
最大电压(25℃) Max. Allowed voltage(at 25℃)			110%Rated voltage	
绝缘电阻 Insulation resistance			≥100MΩ (500VDC)	
线圈功率 Coil power consumption	DC(W)		1.9	
	AC(VA)		2.5	
吸合时间(额定电压) Operate time			≤30ms	
释放时间(额定电压) Release time			≤30ms	
初始耐压 Dielectric Strength	同极触点之间 Between contacts		2000VAC/1min(漏电流 1 mA) (Leakage current 1 mA)	
	异极触点之间 Between contacts(different pole)		2000VAC/1min(漏电流 1 mA) (Leakage current 1 mA)	
	触点与线圈间 Between contact and coil		4000VAC/1min(漏电流 1 mA) (Leakage current 1 mA)	
环境温度 Ambient temperature			-25~+55℃	
环境湿度 Humidity			35%~85%RH	
大气压力 Atmospheric Pressure			86~106KPa	
耐冲击 Shock resistance			10G(正弦半波脉冲: 11ms)(Half a wave of pulses of sine:11ms)	
耐振动 Vibration resistance			10~55Hz 双振幅:1.5mm 10~55Hz Dual amplitude:1.5mm	
安装方式 Install model			插入式, 螺丝端子式, PCB焊接式, 导轨式 Plug-in terminal, Bolt terminal, PCB terminal, Dinrail mount	
重量 Weight			插入式约90g, 螺丝端子式约120g Plug-in type Approx.90g Bolt type Approx.120g	
配套插座 Matched relay socket			P76-F06(配套插入式用)	
同类产品 Like products			OMRON公司: G7L	

线圈规格(25°C) Coil type(25°C)

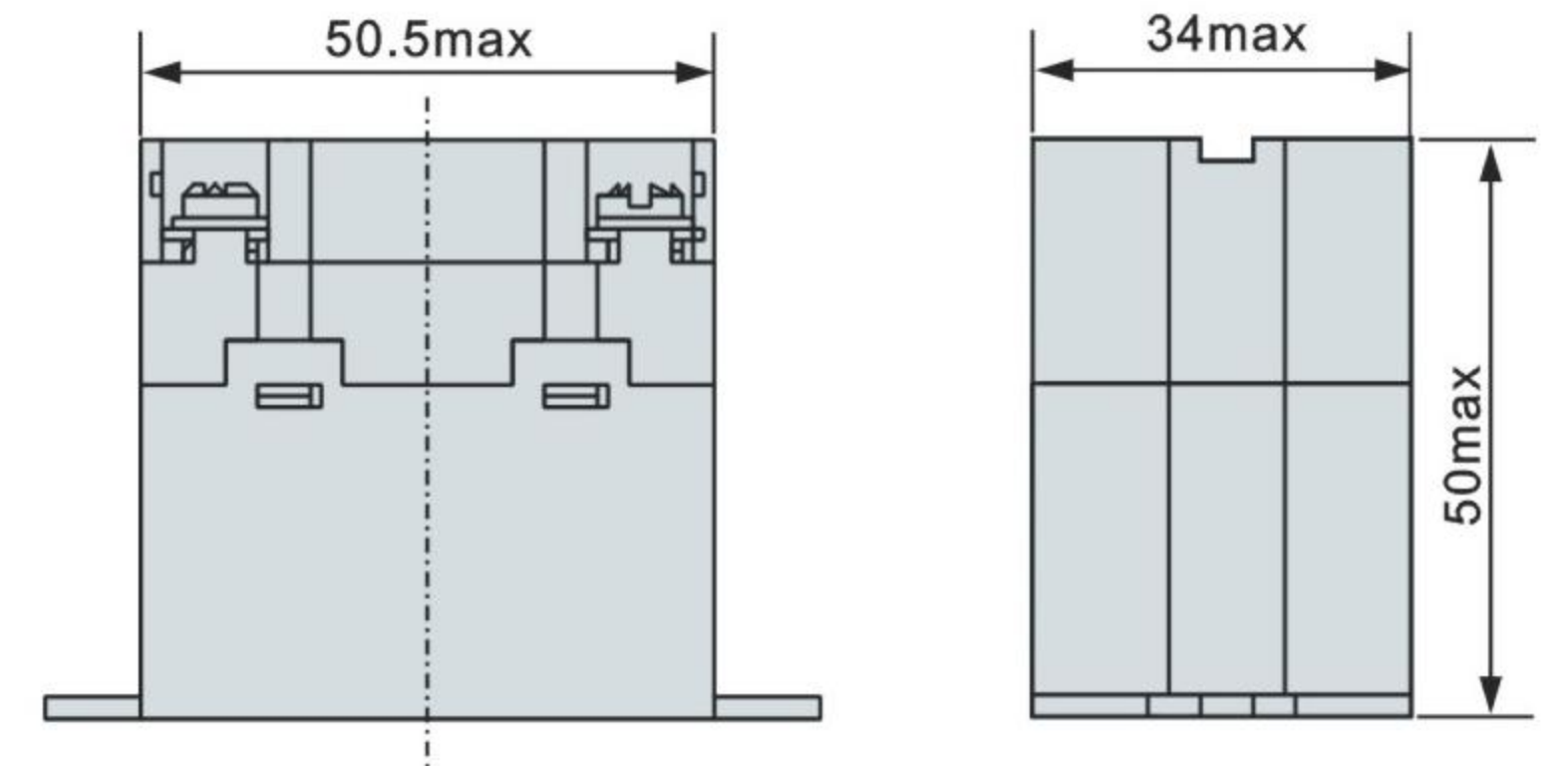
额定电压V.DC Rated voltage	6	12	24	48	100	110	220
线圈电阻Ω(±10%) Coil resistance	18.9	75	303	1220	5260	6360	25474
额定电压V.AC Rated voltage	6	12	24	48	100-120	200-240	380-400
线圈电阻Ω(±10%) Coil resistance	17	65	275	1100	5200	21000	62650

外形图、接线图、安装孔尺寸(mm) Dimension.Bottom View

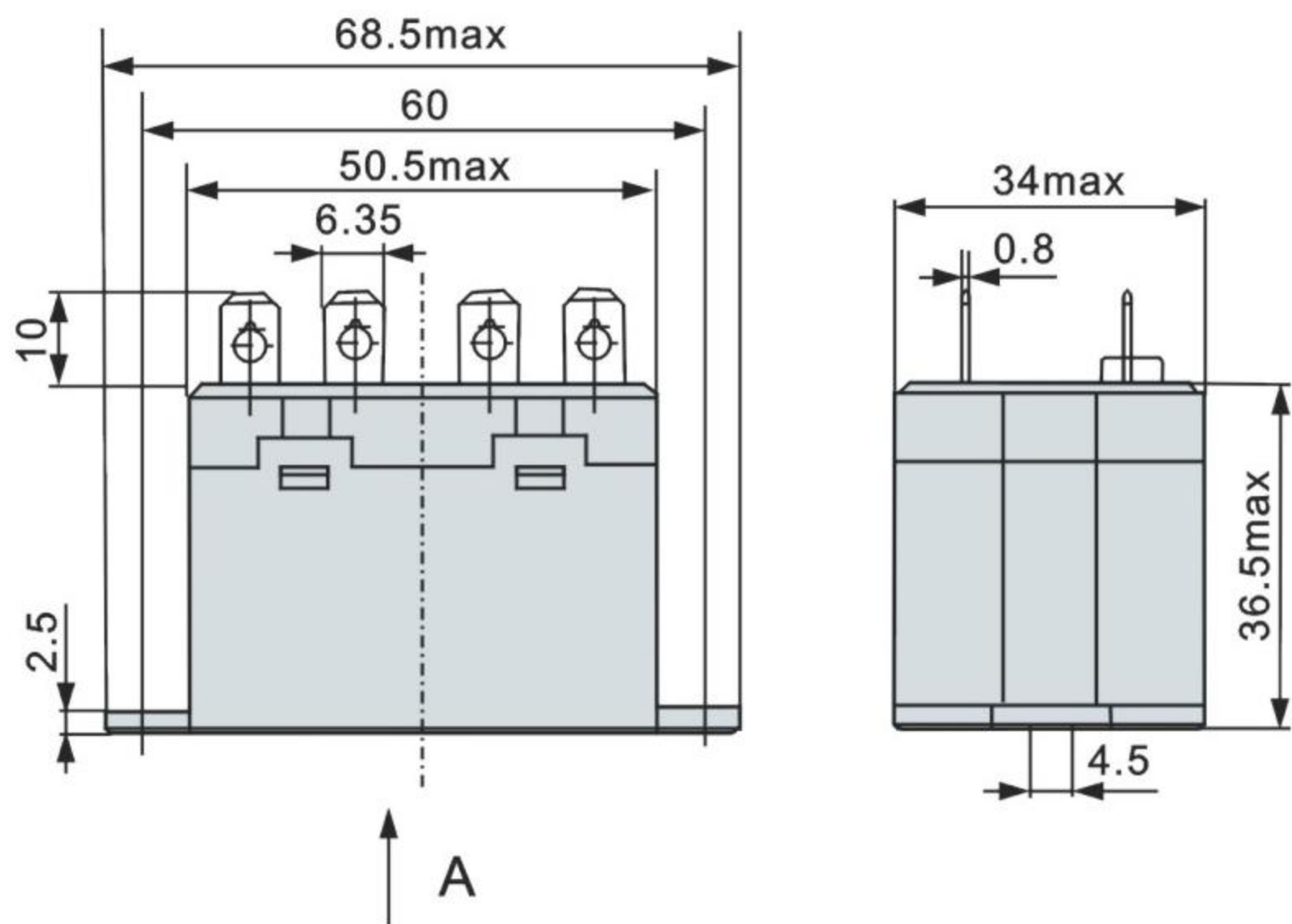
JQX-76F-P-1A/2A



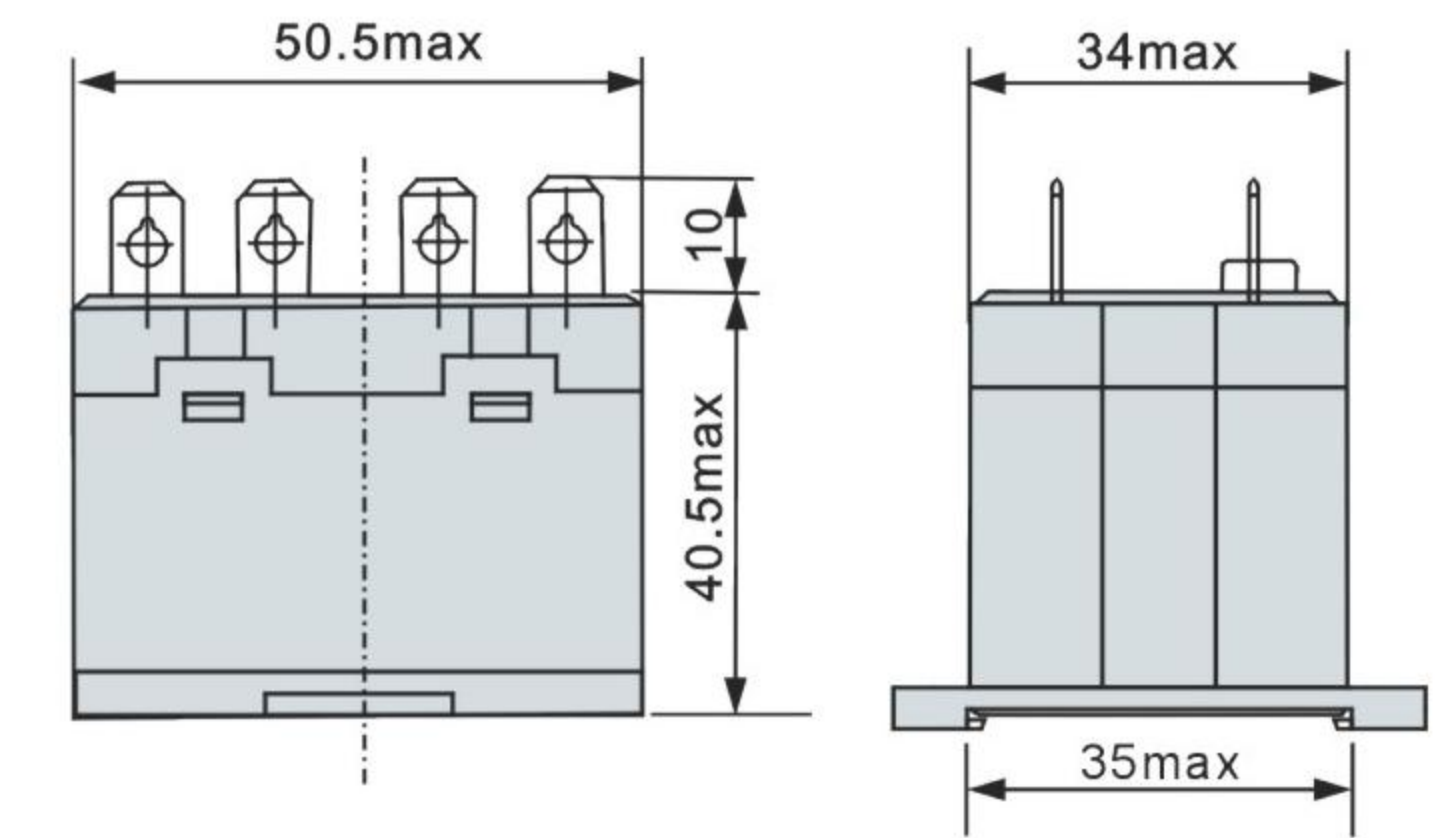
JQX-76F-BU-1A/2A



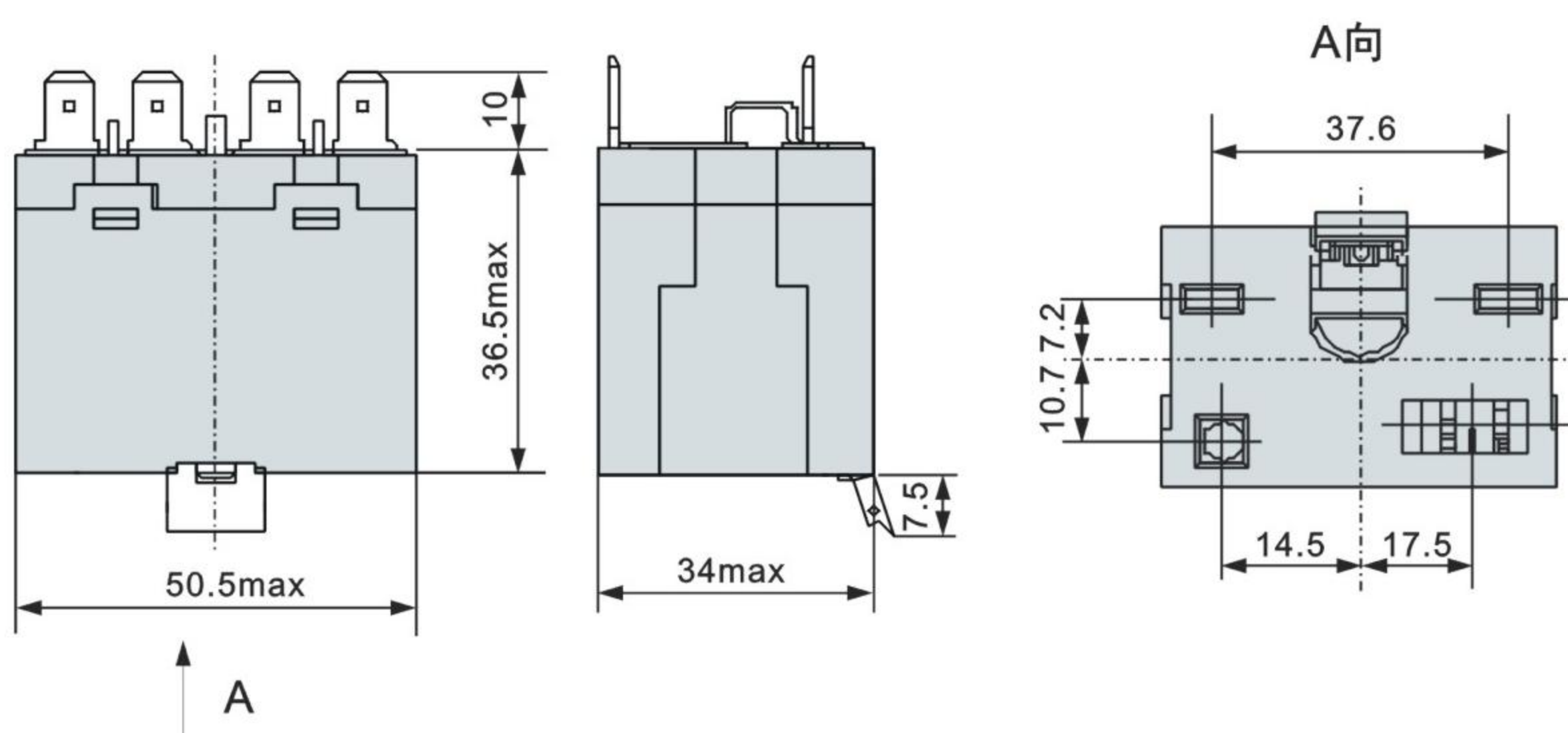
JQX-76F-TU-1A/2A



JQX-76F-TD-1A/2A



JQX-76F-TK-1A/2A



JQX-76F-BD-1A/2A

