

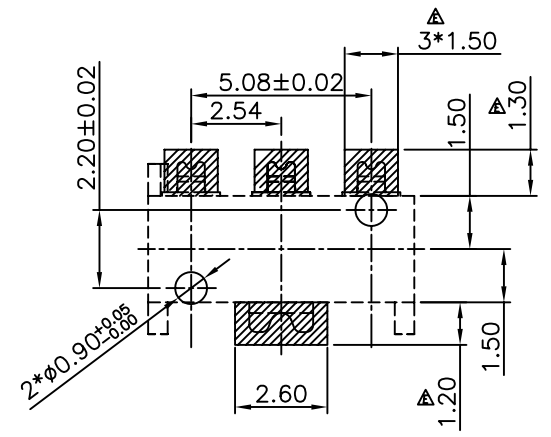
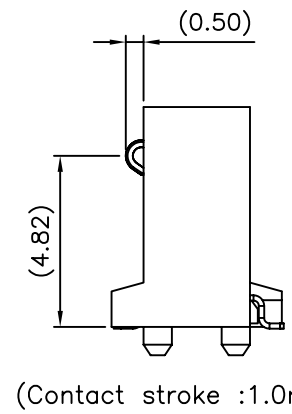
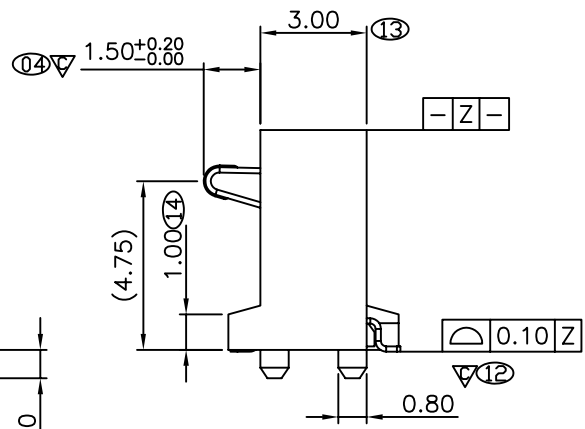
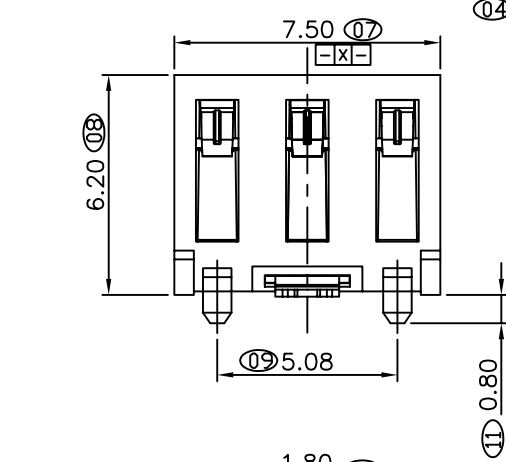
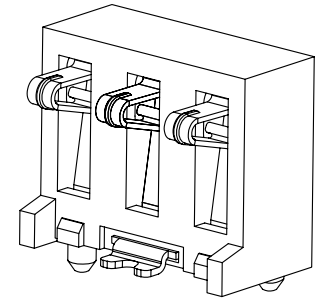
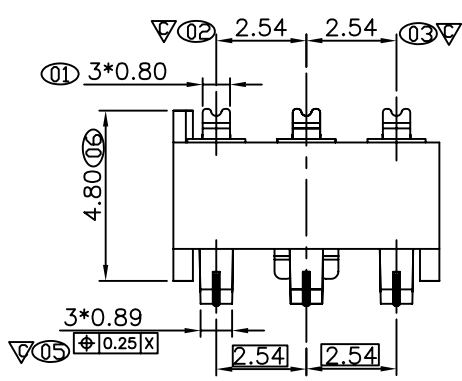
1 2 3 4 5 6 7 8

REV.	MODIFICATION	DATE	DRAW
D	端子材质及塑胶材质变更	07-05-12	
E	PCB LAYOUT 尺寸修改	07-06-29	
F	修改主体材质: PA9T改成LCP	08-04-03	

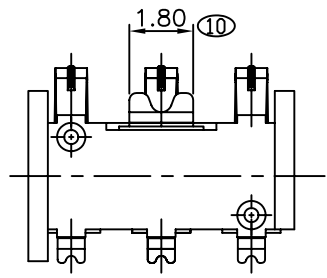
PRELIMINARY
DESIGN IS SUBJECT
TO CHANGE WITHOUT
PRIOR NOTICE

A
B
C
D
E
F

A
B
C
D
E
F



RECOMMENDED PADS LAYOUT
TOP VIEW
TOLERANCE : ±0.05



- NOTES:
- [F] 1.HOUSING MATERIAL:LCP+30%GF 6807LHF UL94V-0;COLOR:BLACK
 - 2.CONTACT MATERIAL:TI-CU ALLOY.
FINISH:50u" MIN. NICKEL UNDER PLATED, PLATED 10u" Au ON CONTACT AREA ;PLATED GOLD FLASH ON SOLDER AREA.
 - 3.UNLESS OTHERWISE SPECIFIED,ALL ROADIUS ARE 0.3mm MAX.
 - 4.MARKED ⊗ DIMENSION SHOULD BE MEASURED BY FAI.
 - 5.MARKED ▽ DIMENSION SHOULD BE CONTROLLED QIP.

DIMENSION IN mm [Inch]		PROD. SPEC.	saber		
TOLERANCE UNLESS OTHERWISE SPECIFIED		PKG. SPEC.			
.X±0.35	X'± 1'	APR.	TITLE: 6.20MM 3PIN BATTERY CONNECTOR		
.XX±0.25	.X'± 0.5'	CHK. MARY 08.04.03	FILE NO.	DWG NO. SM-BAT03-003	
.XXX±0.150	.XX'± 0.25'	DRA. LIUCHUN 08.04.03	PROJ.	CUSTOMER DRAWING	
			SIZE A4	SCALE 8:1	SHEET 1/1
			REV. F	2	

1 2 3 4 5 6 7 8