

RDM SERIES

ORDER CODE


RDM-2C-12-L

□: 0.8W
L: 0.6W

COIL VOLTAGE — 12: DC 12V

2C: 2c

TYPE



Main Features:

- Small size, light weight.
- Low coil power consumption.
- Switching capacity up to 20A.
- Suitable for automobile, automation system, electronic equipment, instrument, meter, telecommunication facilities and remote control facilities.

COIL RATING (at 20°C)

NOMINAL VOLTAGE (VDC)		COIL RESISTANCE (Ω)(±10%)	POWER CONSUMPT -ION(W)	NOMINAL CURRENT (mA)(±10%)	PULL IN VOLTAGE (VDC)	DROP OUT VOLTAGE (VDC)	MAX. ALLOWABLE VOLTAGE (VDC)
12V		180 Ω	0.8W	67mA	58% MAX.	9% MIN.	150%
L	12V	240 Ω	0.6W	50mA			

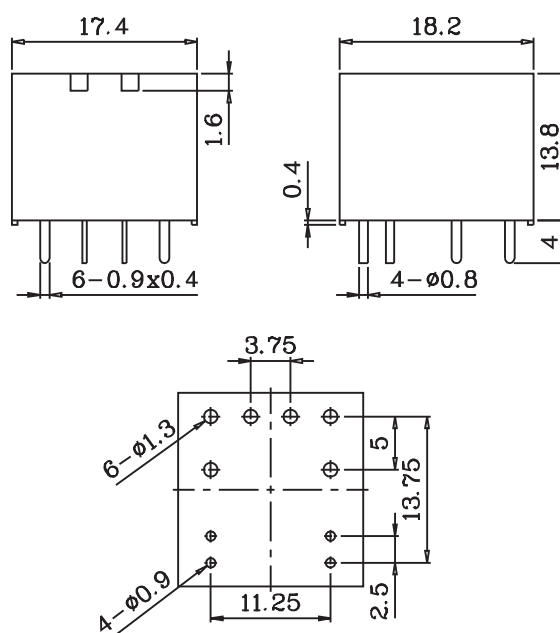
PERFORMANCE (at initial value)

Item	Type	20A
Contact Resistance		50mΩ Max. (initial value)
Operate Time		3msec Max.
Release Time		1.2msec Max.
Dielectric Strength between coil & contact between contact		DC500V (1min) DC500V (1min)
Insulation Resistance		100MΩ Min.(DC500V)
Operating Ambient Temperature		-40°C ~ +85°C
Humidity		35% to 85% RH
Vibration Resistance		10G (10~55Hz)(Dual amplitude: 2mm)
Shock Resistance		10G
Life Expactancy Mechanically Electrically		10,000,000 ops. Min.(1800 ops./h) 200,000 ops. Min.(1200 ops./h)
Weight		10g(about)

CONTACT RATING

Item	Type	20A
Rated Carrying Current		DC14V 20A
Max. Allowable Current		20A
Max. Allowable Voltage		DC40V
Max. Current (continual)		20A
Min. Load		DC10V 10mA
Contact Material		Ag alloy

DIMENSIONS (Unit: mm)



WIRING DIAGRAMS (Bottom View)

