

APPROVAL SHEET

(RoHS)

CUSTOMER : _____
 CUSTOMER'S PART NO. : _____
 DESCRIPTION : Multi-layer Chip Antenna
 PART NO. : LTA-5320-2G4S3-A1
 DATE : _____
 AUTHORIZED BY : Yunwei Lin

	FULLY APPROVED	PARTIALLY APPROVED	REJECTED
SIGN			
SUGGESTION			

美磊科技股份有限公司

MAG. LAYERS SCIENTIFIC-TECHNICS CO., LTD
 HEAD OFFICE / HSINCHU PLANT

No 18, Tz-Chiang Road, Hsin-Chu Industrial Park, Hsin-Chu, Taiwan

TEL: +886-3-5972488 FAX: +886-3-5972477

<http://www.maglayers.com.tw>

E-mail : info@maglayers.com.tw



MAG.LAYERS

APPLICATION

WLAN, Home RF, Bluetooth, etc.

FEATURES

- Compact Size**
Miniaturized SMD packaged in low profile and lightweight.
- Wide Bandwidth**
- High Soldering Heat Resistance**
High quality termination allows both flow and re-flow soldering methods to be applied.
- Available in tape and reel packaging for automatic mounting**

PRODUCT IDENTIFICATION

L T A - 5 3 2 0 - ### x x - A 1
① ② ③ ④

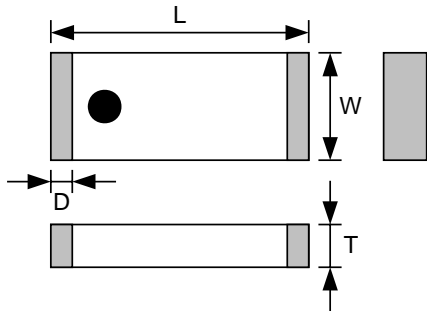
- ① Product Code
- ② Dimension Code
- ③ Series Type (### represents center frequency and xx represents material type)
- ④ Design Code

ELECTRICAL REQUIREMENTS

Part NO.	Frequency	Impedance	Bandwidth*	Gain*	VSWR	Polarization
LTA-5320-2G4S3-A1	2450 MHz	50 Ohms	~150 MHz	0~1 dBi	2.0 max.	Linear

*Depend on PCB layout.

PRODUCT DIMENSION



L	W	T	D
5.30±0.2	2.00±0.2	1.20±0.2	0.40±0.2

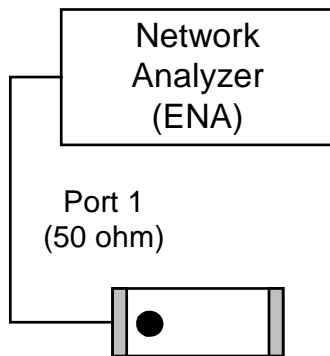
NOTE : Dimensions in mm

TERMINAL CONFIGURATION



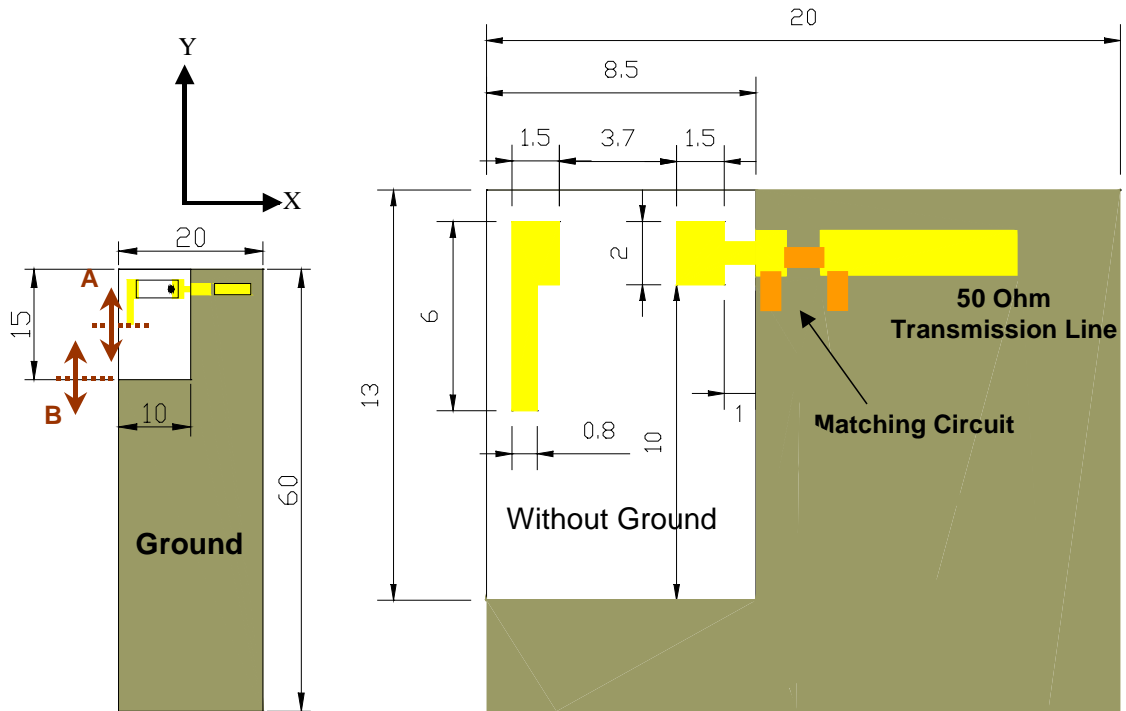
- ① Feed Termination
- ② Solder Termination

MEASURING DIAGRAM



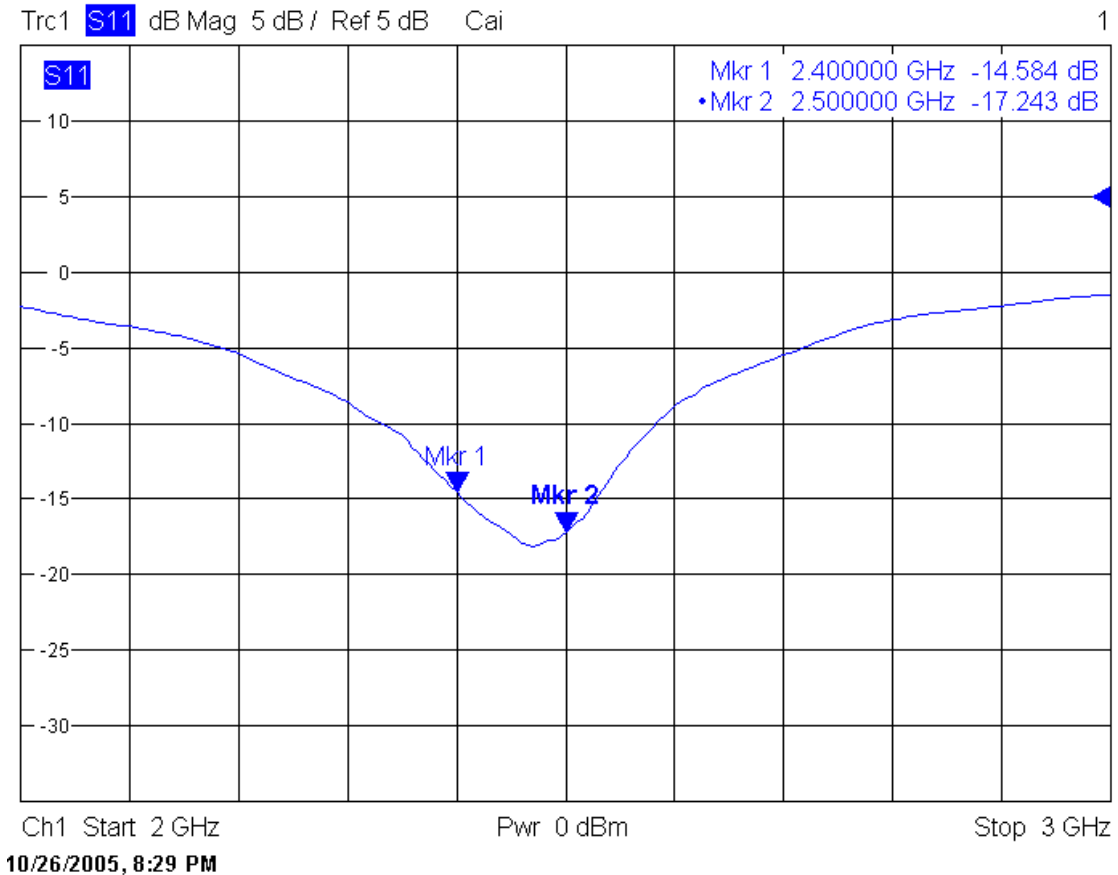
Test Instrument:
Agilent E5071A Network Analyzer

RECOMMENDED PCB LAYOUT



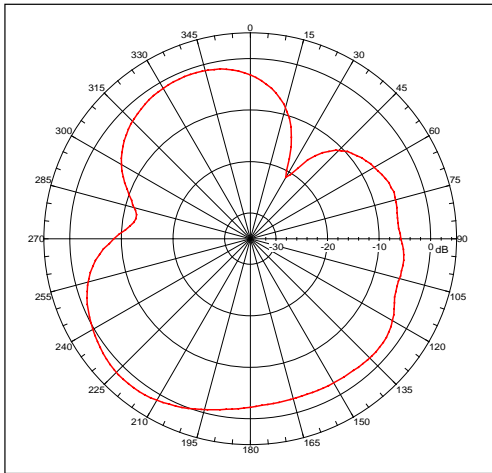
- A : Performance varies with the length of line.
- B : Performance varies with the Ground.

ELECTRICAL CHARACTERISTICS (T=25°C)



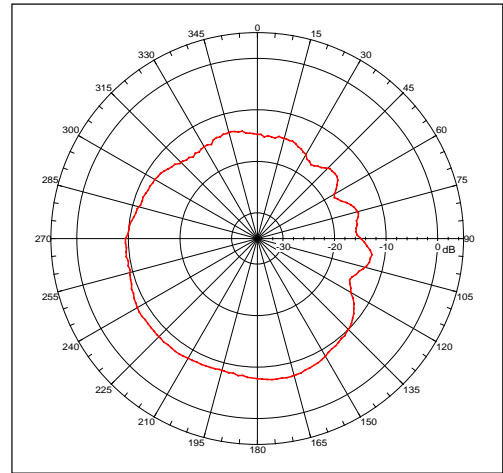
RADIATION PATTERN

XY-H



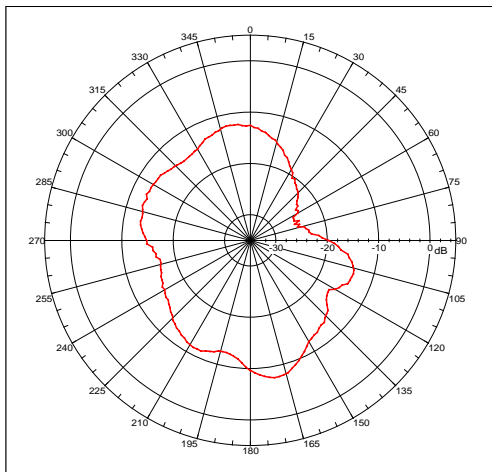
Peak Gain = 1.77026 dBi
Avg. value: -11.430 dBi

XY-V



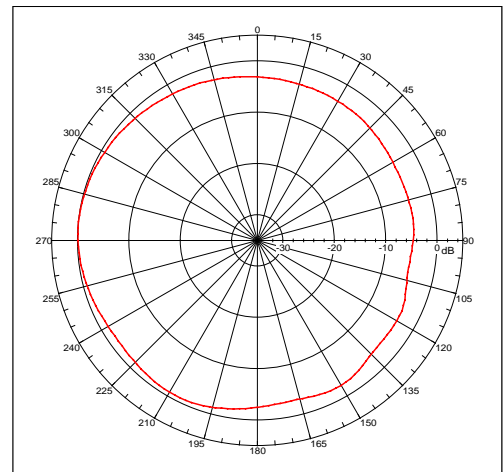
Peak Gain = -7.37482 dBi
Avg. value: -3.622 dBi

XZ-H



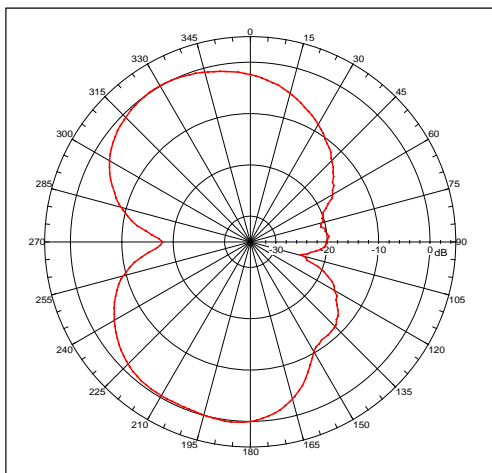
Peak Gain = -7.84659 dBi
Avg. value: -14.401 dBi

XZ-V



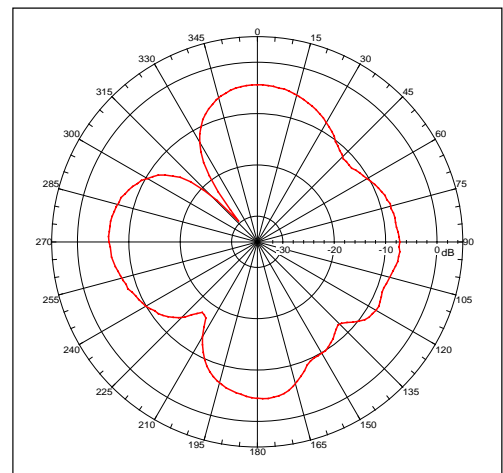
Peak Gain = 0.00118 dBi
Avg. value: -2.411 dBi

YZ-H



Peak Gain = 0.29303 dBi
Avg. value: -5.671 dBi

YZ-V

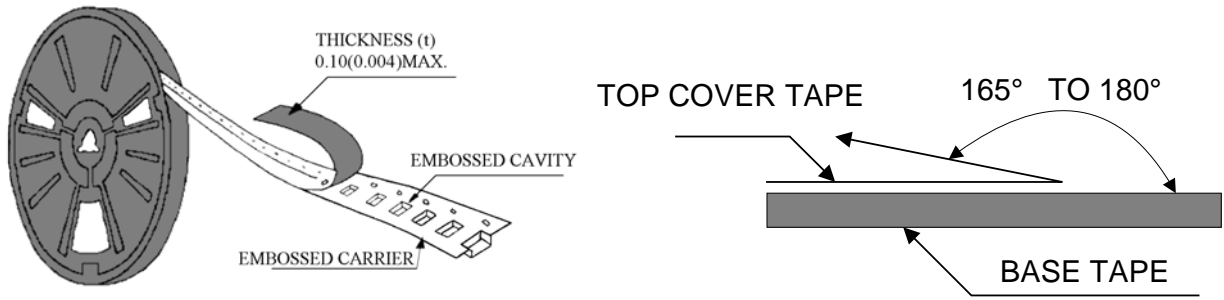


Peak Gain = -4.37257 dBi
Avg. value: -8.534 dBi



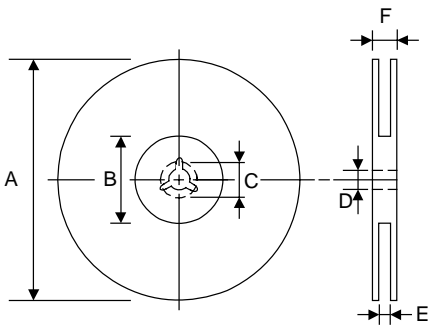
PACKAGING FOR SMC

Peel-off force



The force for peeling off cover tape is 10 grams in the arrow direction.

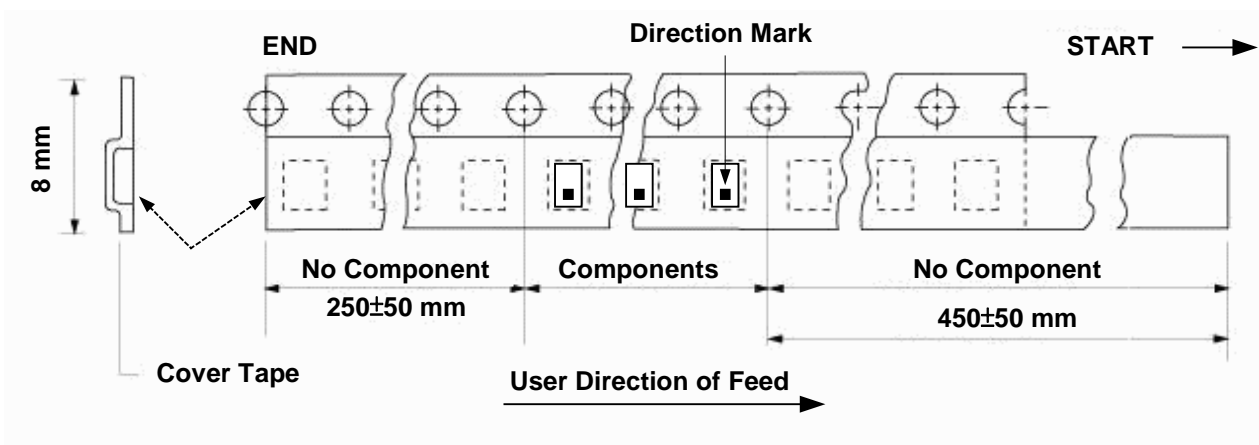
Dimension (Unit: mm)



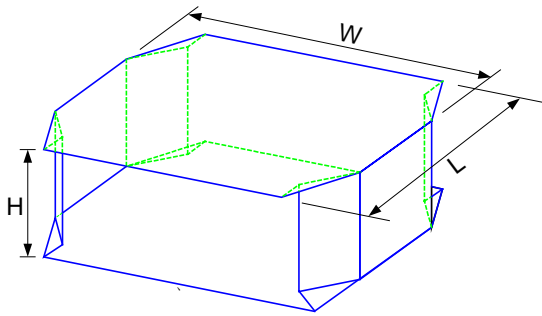
TYPE	A	B	C	D	E	F
8 mm	178±1	60 +0.5 -0	-	13 ±0.2	9 ±0.5	12 ±0.5
12 mm	178±0.3	60 ±0.2	19.3 ±0.1	13.5 ±0.1	13.6 ±0.1	-

Taping quantity

SERIES	5824	5220 5320	4532	4516	3225 3216	3216	2520 2012 1608	1005
PCS/Reel	5000	3000	1000	2000	2500	3000	4000	10000



TAPE PACKING CASE

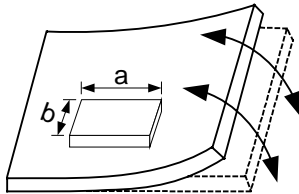


Unit:cm

No. of Reels	W	L	H
2	18±0.5	18±0.5	2.4±0.2
3	18±0.5	18±0.5	3.6±0.2
4	18±0.5	18±0.5	4.8±0.2
5	18±0.5	18±0.5	6.0±0.2

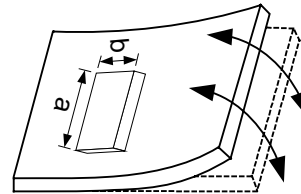
ATTENTION REGARDING PCB BENDING

- (a) PCB shall be designed so that products are not subjected to the mechanical stress for board warpage. Product shall be located in the sideway direction to the mechanical stress.



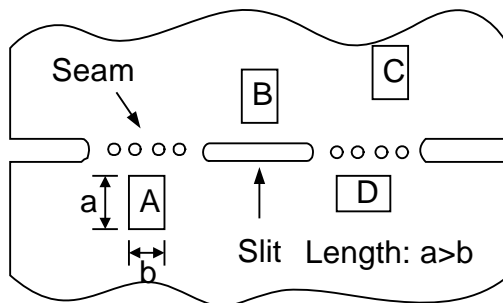
(Poor example)

Length: $a > b$

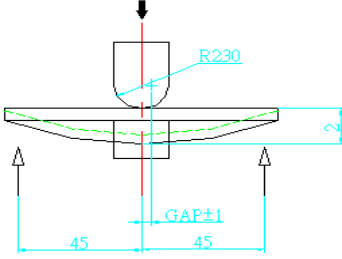


(Good example)

- (b) Products (A,B,C,D) shall be located carefully so that products are not subjected to the mechanical stress due to warping the board. Because they may be subjected to the mechanical stress in order of $A > C > B \approx D$.



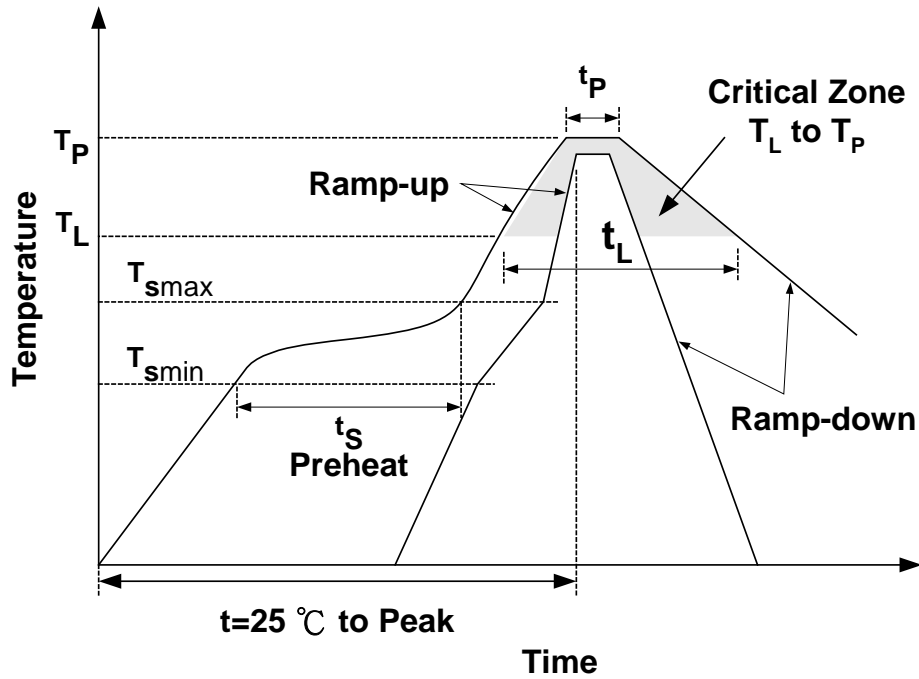
RELIABILITY TEST

Item	Condition	Specification
Thermal shock	-40°C~+85°C for 100 cycles each cycle being 30 min	No apparent damage Fulfill the electrical spec. after test
Humidity resistance	85±2°C, 80~90% R.H. for 500 hours	No apparent damage Fulfill the electrical spec. after test
High temperature resistance	+85±2°C for 500 hours	No apparent damage Fulfill the electrical spec. after test
Low temperature resistance	-40±3°C for 500 hours	No apparent damage Fulfill the electrical spec. after test
Vibration	10 Hz/min~55 Hz/min~10 Hz/min vibration frequency with 1.5 mm amplitude for two hours in x, y, z directions	No apparent damage
Drop shock	Dropped onto printed circuit board from 100cm height three times in x, y, z directions. The terminals shall be protected.	No apparent damage
Soldering heat resistance	Preheating temperature : 150±10°C Preheating time : 1 to 2 minutes Solder bath temperature : 260±5°C Bathing time : 5±0.5 seconds	No apparent damage
Bending test onto printed circuit board	<p>Solder specimen LTCC components on the test printed circuit board (L: 100 x W: 40 x T: 1.6mm) in appended recommended PCB pattern.</p> <p>Apply the load in direction of the arrow until bending reaches 2 mm.</p>  <p>Unit: mm</p>	No apparent damage
Solderability	The dipped surface of the terminal shall be at least 75% covered with solder after dipped in solder bath of 235±5°C for 3±0.5 seconds.	No apparent damage

STORAGE CONDITION

The temperature should be within 0 ~ 30°C and humidity should be less than 75% RH. The product should be used within 6 months from the time of delivery.

RECOMMENDED REFLOW SOLDERING PROFILE



Profile Feature		Sn-Pb	Pb-Free
Preheat	t_s	60~120 seconds	60~180 seconds
	T_{smin}	100°C	150°C
	T_{smax}	150°C	200°C
Average ramp-up rate (T_{smax} to T_P)		3°C/second max.	3°C/second max.
Time main above	Temperature (T_L)	183°C	217°C
	Time (t_L)	60~150 seconds	60~150 seconds
Peak temperature (T_P)		230°C	250~255°C
Time within 5°C of actual peak temperature (t_p)		10 seconds	10 seconds
Ramp-down rate		6°C/sec max.	6°C/sec max.
Time 25°C to peak temperature		6 minutes max.	8 minutes max.

NOTES

The contents of this data sheet are subject to change without notice. Please confirm the specifications and delivery conditions when placing your order.