

SOJ SERIES

ORDER CODE
SOJ-12-10-A-L

□: 0.45W
 L: 0.2W


□: 1c
 A: 1a

10: 10A

COIL VOLTAGE

TYPE

03: DC 3V
 05: DC 5V
 06: DC 6V
 09: DC 9V
 12: DC 12V
 18: DC 18V
 24: DC 24V
 48: DC 48V



Main Features:

- 1 form A and 1 form C contact.
- Small size produces a switching capacity up to 10amps for high density PCB mounting technique.
- Surge strength 3,000 VAC.
- Special design for household appliances flux free and sealed type available.

COIL RATING (at 20°C)

NOMINAL VOLTAGE (VDC)	COIL RESISTANCE (Ω)(±10%)	POWER CONSUMPT -ION(W)	NOMINAL CURRENT (mA)(±10%)	PULL IN VOLTAGE (VDC)	DROP OUT VOLTAGE (VDC)	MAX. ALLOWABLE VOLTAGE (VDC)
3V	20Ω	0.45W	150.0mA	75% MAX	5% MIN.	120%
5V	55Ω		90.9mA			
6V	80Ω		75.0mA			
9V	180Ω		50.0mA			
12V	320Ω		37.5mA			
18V	720Ω		25.0mA			
24V	1280Ω		18.8mA			
48V	5100Ω		9.4mA			

	NOMINAL VOLTAGE (VDC)	COIL RESISTANCE (Ω)(±10%)	POWER CONSUMPT -ION(W)	NOMINAL CURRENT (mA)(±10%)	PULL IN VOLTAGE (VDC)	DROP OUT VOLTAGE (VDC)	MAX. ALLOWABLE VOLTAGE (VDC)
L	3V	45Ω	0.2W	66.7mA	75% MAX	5% MIN.	120%
	5V	125Ω		40.0mA			
	6V	180Ω		33.3mA			
	9V	400Ω		22.5mA			
	12V	720Ω		16.7mA			
	24V	2800Ω		8.6mA			

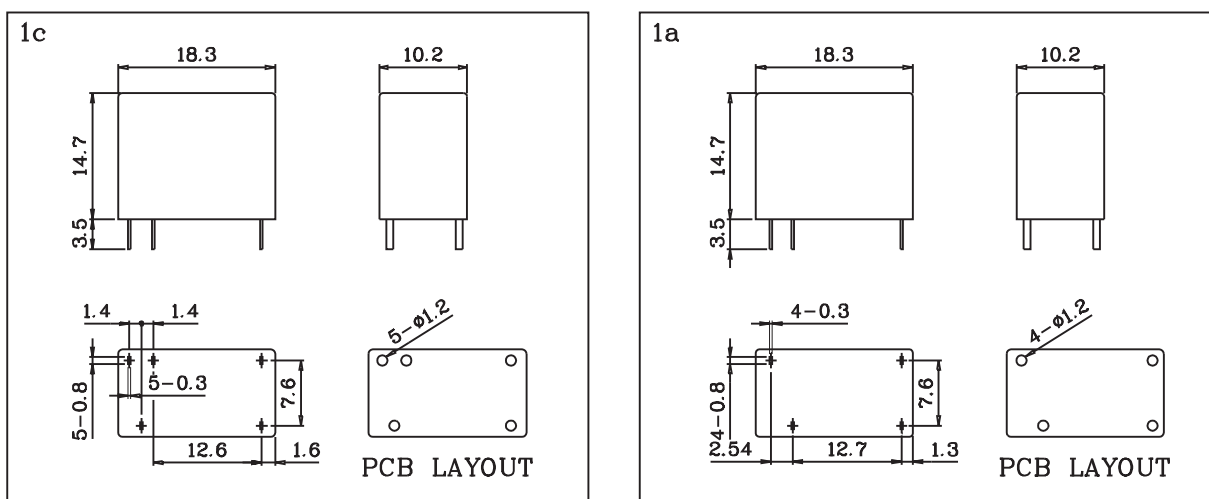
PERFORMANCE (at initial value)

Item	Type	10A
Contact Resistance		100mΩ Max.(initial value)
Operate Time		10msec Max.
Release Time		4msec Max.
Dielectric Strength between coil & contact		AC3000V (1min)
between contact		AC1000V (1min)
Surge Resistiveness		5,000V
Insulation Resistance		100MΩ Min.(DC500V)
Operating Ambient Temperature		-30°C ~ +55°C
Humidity		45 to 85% RH
Vibration Resistance		10G (10~55Hz)(Dual amplitude:1.5mm)
Shock Resistance		10G
Life Expectancy Mechanically		10,000,000 ops. Min.(1800 ops./h)
Electrically		100,000 ops. Min.(1200 ops./h)
Weight		9g(about)

CONTACT RATING

Item	Type	10A
Rated Carrying Current		AC250V 5A AC120V 10A DC30V 10A
Max. Allowable Current		10A
Max. Allowable Voltage		AC 265V DC 30V
Max. Current (continual)		10A
Min. Load		DC5V 10mA
Contact Material		Ag alloy

DIMENSIONS(Unit: mm)



WIRING DIAGRAMS(Bottom View)



REFERENCE DATA

