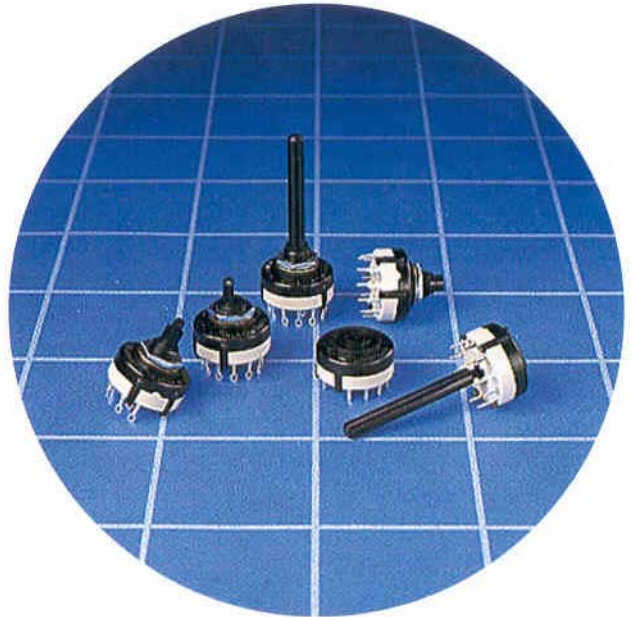


CK ROTARY SWITCH

GENERAL ELECTRICAL & MECHANICAL SPECIFICATION

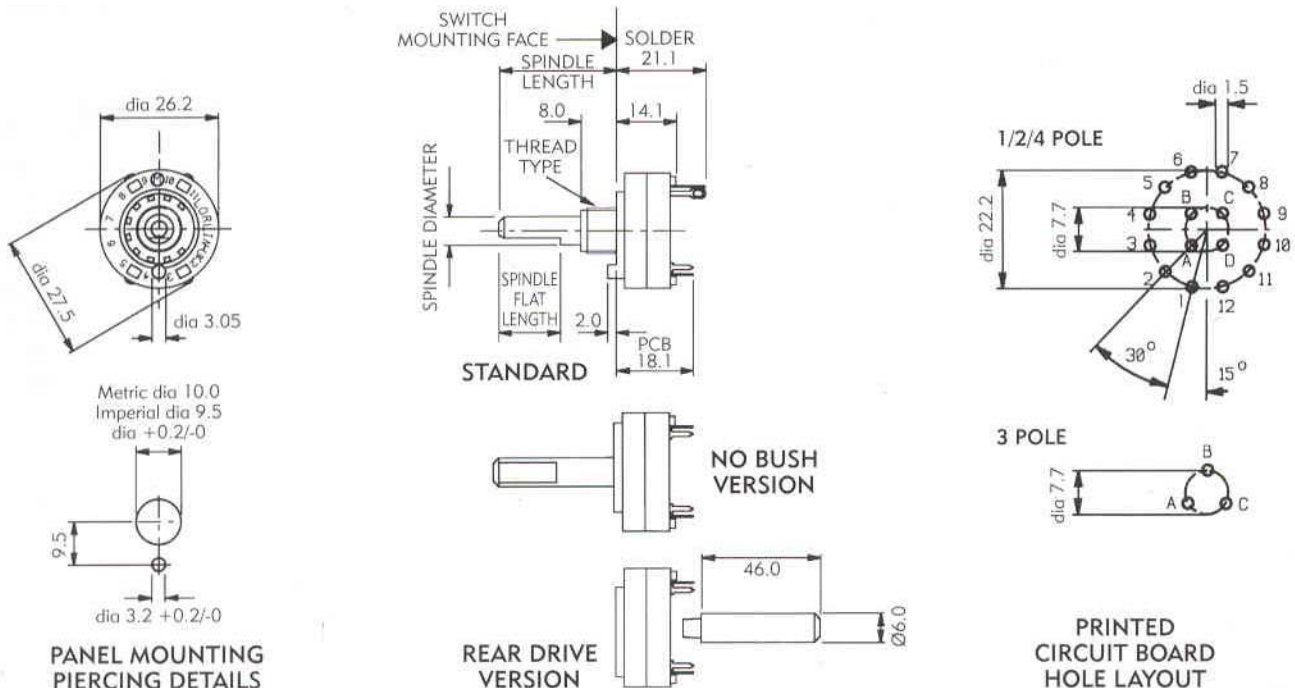
Maximum Working Voltage:	300V AC/DC Resistive Load
Proof Voltage:	1,000V RMS min.
Current Carrying Capacity:	5A (non switching)
Contact Rating (switching):	150mA 250V AC/DC
Insulation Resistance:	25,000 Megohms min.
Operating Temperature:	-30 °C to + 85 °C
Life:	Greater than 10,000 Cycles
Operating Torque (nominal):	Standard 8.6 Ncm ± 1 Ncm Light Action 3.5 Ncm ± 0.5 Ncm
End Stop Torque (minimum):	1.13 Nm
Moulding Material:	Glass filled Nylon
Contact / Terminal Material:	Silver Plated Brass
Fixing Torque:	1.1 Ncm max.



GENERAL FEATURES

- Made in UK
- Cost effective single wafer switch
- Moulded 27.5 mm diameter
- Standard 30° indexing
- Solder or Printed Circuit Board Terminals
- Up to 4 poles per switch
- Maximum 12 positions
- Shorting (make before break 30° indexing only) or non shorting (break before make) contacts
- Adjustable stop to restrict number of positions
- Special option: 60° or 90° indexing,
- continuous rotation, fixed stop, UL-VO rated material, gold flashed or gold plated contacts, spindles with special flats slots, knurls
- No Bush versions available
- Rear Drive versions available
- Sealed PCB termination available

CK TYPE ROTARY SWITCH SPECIFICATION SHEET



CK ROTARY SWITCH

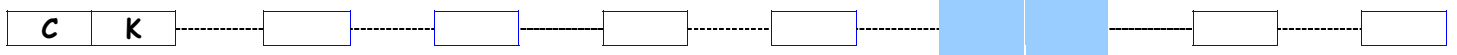
CON'T ORDERING CODE FOR NON-STANDARD SWITCHES



MBB or BBM	A	B	C	D	E	F	G	H	I	J	K	L
CONTACT TYPE	BBM	MBB	BBM	MBB	BBM	MBB	BBM	MBB	BBM	MBB	BBM	MBB
CONTACT PLATING	Solder	Solder	PCB	PCB	Solder	Solder	PCB	PCB	Solder	Solder	PCB	PCB
	SILVER				GOLD PLATE				GOLD FLASH			



	A	B	C	D
SPINDLE DIAM.	6 mm	6 mm	6.35 mm	6.35 mm
SPINDLE FLAT DEPTH	Nil	5 mm	Nil	5.5 mm
BUSH DIAM.	MIO	MIO	9.52 mm	9.52mm



SPINDLE LENGTH
FMF IN FULL MM



LENGTH OF SPINDLE FLAT	A	B	C	D	E	F	G	H	I	J	K	L	M
	2	3	4	5	6	7	8	9	10	11	12	13	14
	N	O	P	Q	R	S	T	U	V	W	X	Y	Z
	12	*	16	17	18	19	20	21	22	23	24	25	Full

* - No Flat



ANGLE OF FLAT	A	B	C	D	E	F	G	H	I	J	K	L	M
	0°	15°	30°	45°	60°	75°	90°	105°	120°	135°	150°	165°	180°
	N	O	P	Q	R	S	T	U	V	W	X	Y	
	195°	*	210°	225°	240°	255°	270°	285°	300°	315°	330°	345°	

* - No Flat