

INFRARED RECEIVER MODULE

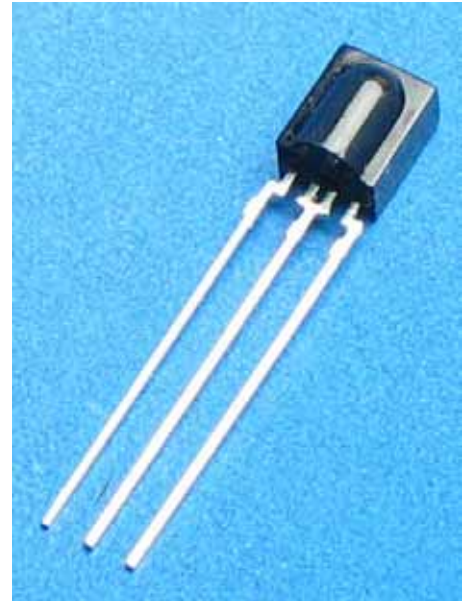
Description

The HL-1638L is miniaturized infrared receivers for remote control and other applications requiring improved ambient light rejection.

The separate PIN diode and preamplifier IC are assembled on a single leadframe.

The epoxy package contains a special IR filter.

This module has excellent performance even in disturbed ambient light applications and provides protection against uncontrolled output pulses.



Features

- Photo detector and preamplifier in one package .
- Internal filter for PCM frequency.
- Inner shield,good anti-interference ability.
- High immunity against ambient light.
- Improved shielding against electric field disturbance
- 3.0V OR 5.0V supply voltage; low power consumption.
- TTL and CMOS compatibility.
- **8ms data pause time codes are acceptable .**

Applications:

1. Optical switch
2. Light detecting proton of remote control
 - AV instruments such as Audio,TV,VCR,CD,MD,DVD,etc.
 - Home appliances such as Air-conditioner,Fan,etc.
 - CATV set top boxes
 - Multi-media Equipment

● Absolute Maximum Ratings(Ta=25)

Parameter	Symbol	Ratings	Unit	Notice
Supply Voltage	Vs	2.1-5.5	V	—
Operating Temperature	Topr	-20~+65		—
Storage Temperature	Tstg	-40~+85		—
Soldering Temperature	Tsd	260		4mm from mold body less than 5 sec

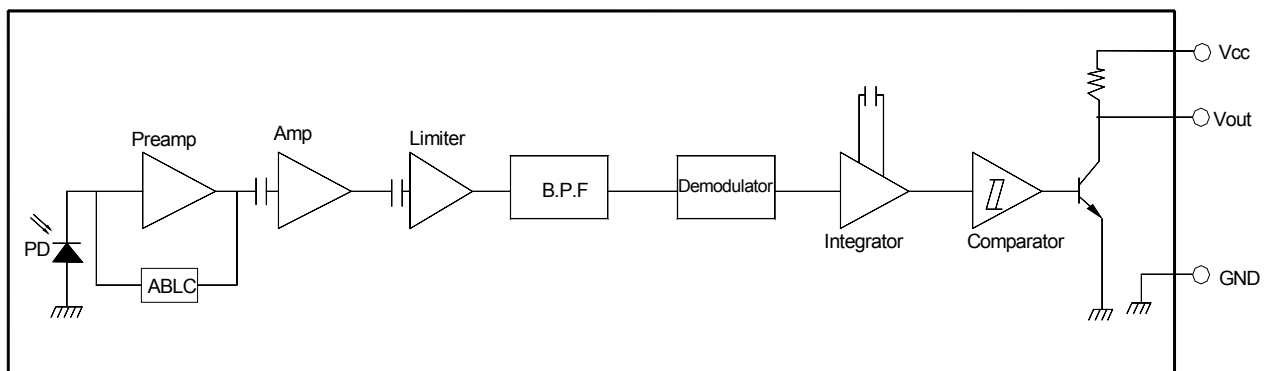
● Electrical And Optical Characteristics (T_a=25)

Parameter	Symbol	Ratings			Unit	Condition
		Min.	Typ.	Max.		
Supply Voltage	V _s	2.1		5.5	V	
Supply Current	I _{cc}	—	—	2.0	mA	No signal input
Reception Distance	L ₀	12	—	—	m	At the ray axis* 1
	L ₄₅	6	—	—		
B.P.F Center Frequency	f _o	—	38	—	KHz	
Peak Wavelength	λ _p	—	940	—	nm	
Half Angle	θ	—	45	—	deg	At the ray axis * 1
High Level Pulse Width	T _H	400	—	800	μS	At the ray axis * 2
Low Level Pulse Width	T _L	400	—	800	μS	
High Level Output Voltage	V _H	4.5	—	—	V	
Low Level Output Voltage	V _L	—	—	0.5	V	

* 1: The ray receiving surface at a vertex and relation to the ray axis in the range of θ=0° and θ=45°

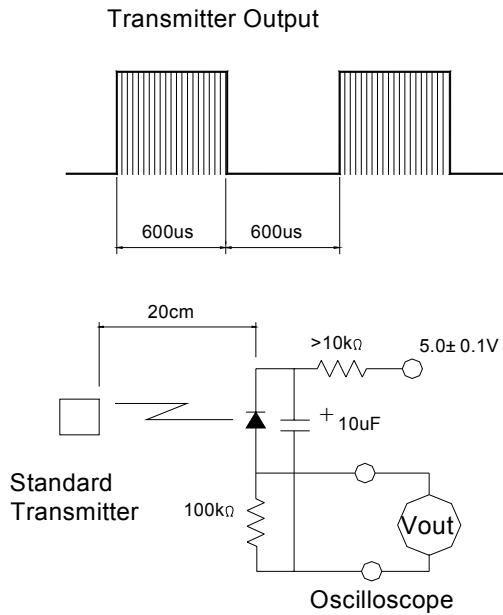
* 2: A range from 30cm to the arrival distance. Average value of 50 pulses

BLOCK DIAGRAM

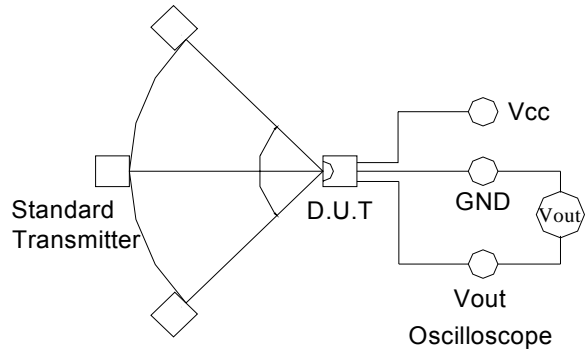


● Test Method

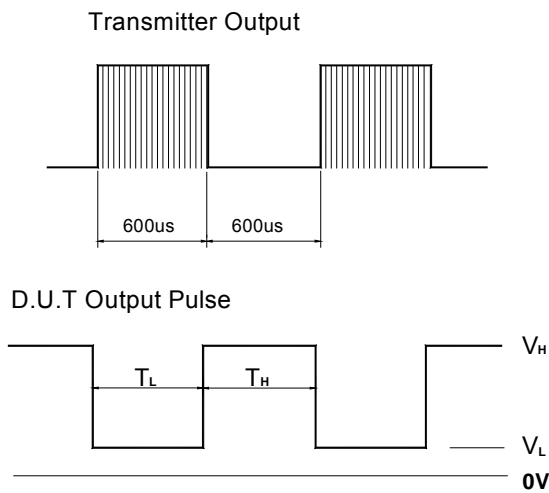
A. Standard Transmitter



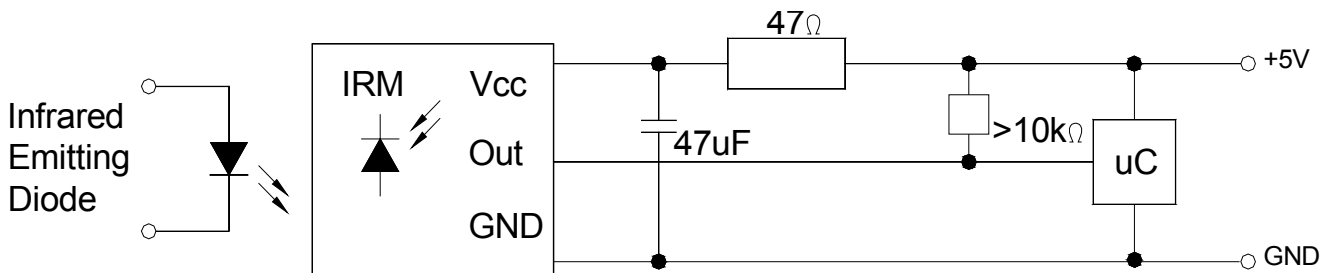
B. Detection Length Test



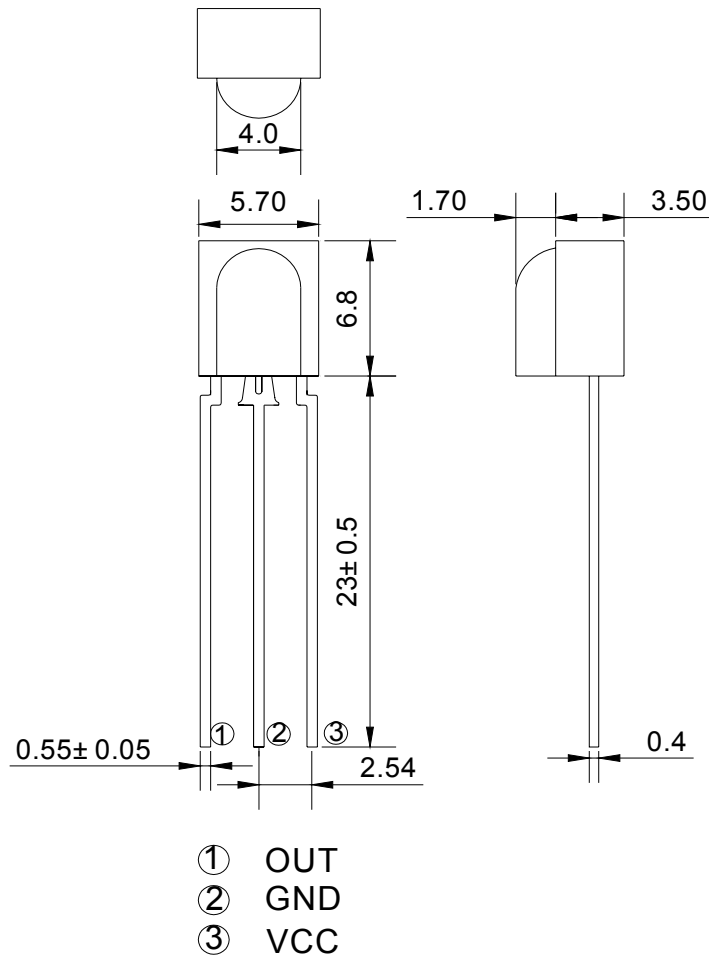
C. Pulse Width Test



● Application Circuit



Package Dimensions:



NOTES:

- 1.All dimensions are in millimeters (inches).
- 2.Tolerance is $\pm 0.30\text{mm}$ (0.012") unless otherwise specified.
- 3.Specifications are subject to change without notice.

● Electrical And Optical Curves(Ta=25)

Fig.1 Relative Spectral Sensitivity vs. Wavelength

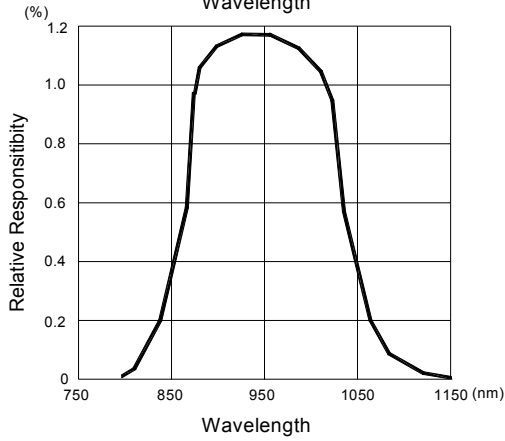


Fig.2 Relative Transmission Distance Vs. Direction

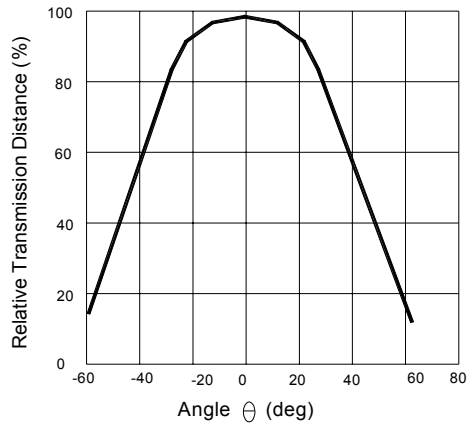


Fig.3 Frequency Dependence of Responsivity

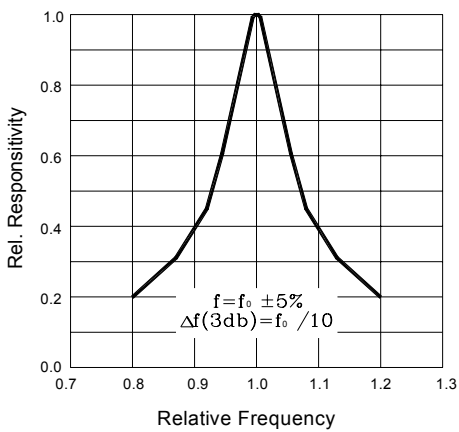


Fig.4 Supply Current vs. Ambient Temperature

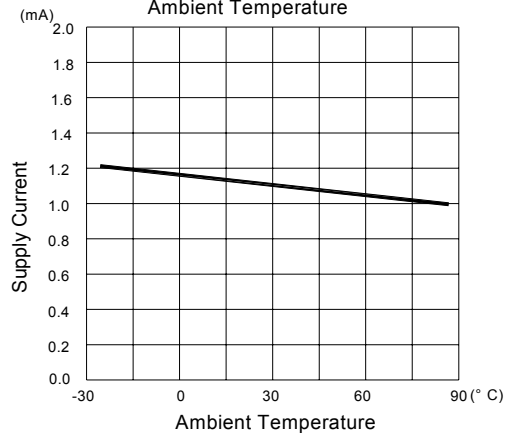


Fig.5 Relative Transmission Distance vs. Direction

