

FINE-TECH

Laser Diode : FT-LD9850

1-1 Absolute Maximum Ratings (Tc=25°)

Parameter	Symbol	Value	Unit
Optical power output (CW)	Po	50	mW
Reverse voltage Laser diode	Vrl	2	V
Operating temperature (case temperature)	Tc	-10 ~ +40	°C
Storage temperature (case temperature)	Tstg	-15 ~ +85	°C

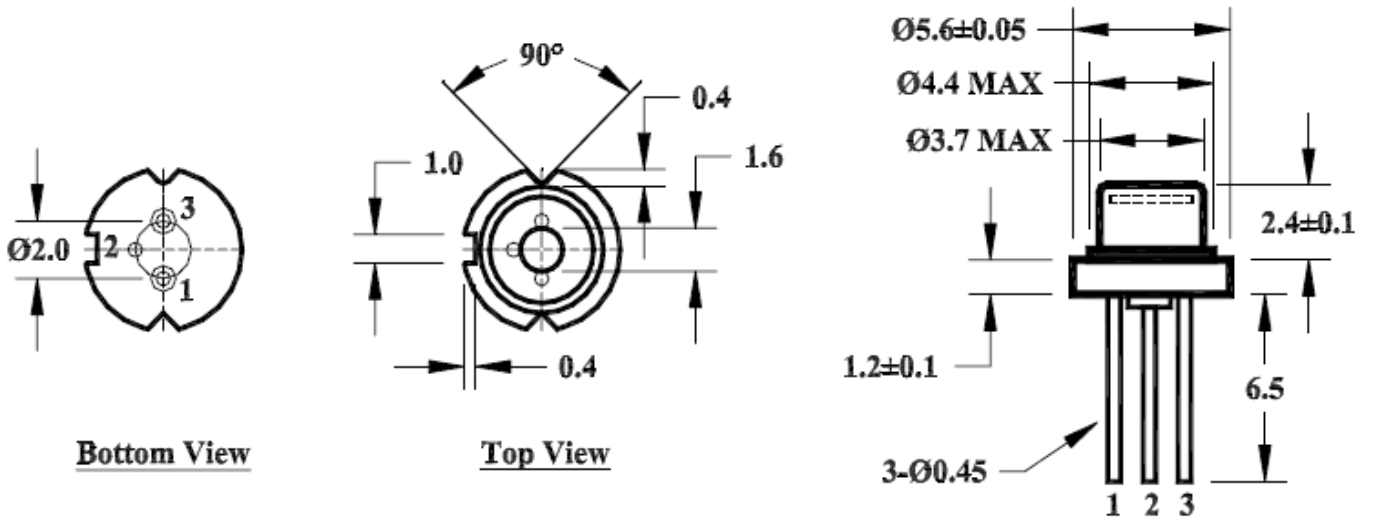
1-2 Electro-optical Characteristics (Note 1) (Tc=25°)

Parameter	Condition	Symbol	Min.	Typ.	Max	Unit
Threshold current	CW	Ith	-	12	20	mA
Operating current	Po=50mW	Iop	-	75	100	mA
Operating voltage		Vop	1	1.5	2.1	V
Wavelength		λp	965	980	995	nm
Lateral Beam Angle (Note 2、3)		$\theta //$	8	12	14	Degree
Vertical Beam Angle (Note 2、3)		$\theta \perp$	30	35	40	Degree
Slope efficiency	CW	η_d	0.65	0.8	1.1	

FINE-TECH

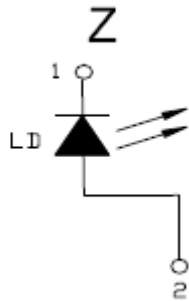
Laser Diode : FT-LD9850

2 . Dimensions



Bottom View

Top View



* NO PD