

**SZJOINT**Joint Sensor Instruments (H. K.) Ltd.
Joint Sensor Instruments (Shenzhen) Ltd.

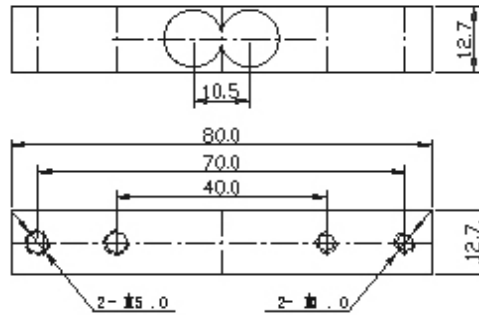
Model FAB--80

kogan sensor—product—Subminiature sensors –Food scale sensors

Appearance



Outline

Capacity:
0.5, 0.6, 1, 2, 3, 5Kg

Specifications

Comprehensive Error(mv/v)	0.03 (FAB-80-1)	0.02 (FAB-80-2)
Output Sensitivity (mV/V)	1.0±0.05	0.8 ±0.15
Nonlinearity (%F.S)	0.03	0.02
Repeatability (%F.S)	0.03	0.02
Hysteresis (%F.S)	0.03	0.02
Creep (%F.S/3min)	0.03	0.02
Zero Drift (%F.S/1min)	0.03	0.02
Temp. Effect on Zero (%F.S/10℃)	≤0.3	≤ 0.2
Temp. Effect on Output (%F.S/10℃)	≤0.03	≤0.02
Zero Output (%F.S)	±0.1	
Input Resistance (Ω)	350±50	1050±50
Output Resistance (Ω)	350±50	1000±10
Insulation Resistance (MΩ)	≥2000	
Excitation Voltage (V)	≤6	≤12
Operation Temp Range (℃)	0--+50	
Overload Capacity (%F.S)	150	
Capacity(kg)	0.5,0.6,1,2,3,5	
Material	Aluminum alloy	
Protection	IP65	
Recommended Applications	Food scale sensor	

Note: All Specifications Subject To Change Without Notice & Custom-made Products Are Available.