

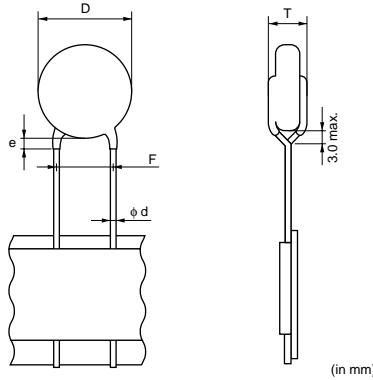
Data Sheet

High Voltage Ceramic Capacitors

DEH Series (125°C Guaranteed/Low-dissipation Factor/DC250V-3.15kV)

DEHR33D471KN3A (R, 470pF, DC2kV)

RoHS regulation conformity parts



■ Dimensions

| | |
|---------------------|------------------------|
| Body Diameter D | 9mm max. |
| Body Thickness T | 5.0mm max. |
| Lead Spacing F | 7.5mm ±1.0mm |
| Lead Diameter ød | 0.6mm ±0.05mm |
| Coating Extension e | Up to the end of crimp |

■ Rated Value

| | Murata PN Code | Spec |
|-------------------|----------------|--|
| Temperature Char. | R3 | R, ±15% (-25 to +85°C) +15/-30% (+85 to +125°C) |
| Capacitance | 471 | 470pF |
| Capacitance Tol. | K | ±10% |
| Rated Voltage | 3D | DC2kV |

■ Lead Style

| Code | Lead Style |
|-----------|-----------------------|
| N3 | Vertical crimp taping |

■ Packaging

| Code | Packaging | Minimum Quantity |
|----------|-----------|------------------|
| A | Ammo Pack | 900 |

Please refer to 'Packaging' for the details.

■ Specifications

Please refer to 'DEH Series (125°C Guaranteed/Low-dissipation Factor/DC250V-3.15kV) Specifications and Test Methods' PDF file.

- This data sheet is applied for ceramic DEH series used for General Electronics equipment for your design.

<Notice>

- Bonding, resin molding and coating
In case of bonding, molding or coating this product, verify that these processes do not affect the quality of capacitor by testing the performance of the bonded, molded or coated product in the intended equipment. The variation in thickness of adhesive or molding resin or coating may cause an outer coating resin cracking and/or ceramic element cracking of a capacitor in a temperature cycling.
- Please refer to 'Caution' and 'Notice' for the other details.

- The RoHS compliance means that we judge from EU Directive 2002/95/EC the products do not contain lead, cadmium, mercury, hexavalent chromium, PBB and PBDE, except exemptions stated in EU Directive 2002/95/EC annex and impurities existing in natural world.
- This statement does not insure the compliance of any of the listed parts with any laws or legal imperatives developed by any EU members individually with regards to the RoHS Directive.

⚠ Note:

1. This datasheet is downloaded from the website of Murata Manufacturing co., Ltd. Therefore, it's specifications are subject to change or our products in it may be discontinued without advance notice. Please check with our sales representatives or product engineers before ordering.
2. This datasheet has only typical specifications because there is no space for detailed specifications. Therefore, please approve our product specifications or transact the approval sheet for product specifications before ordering.