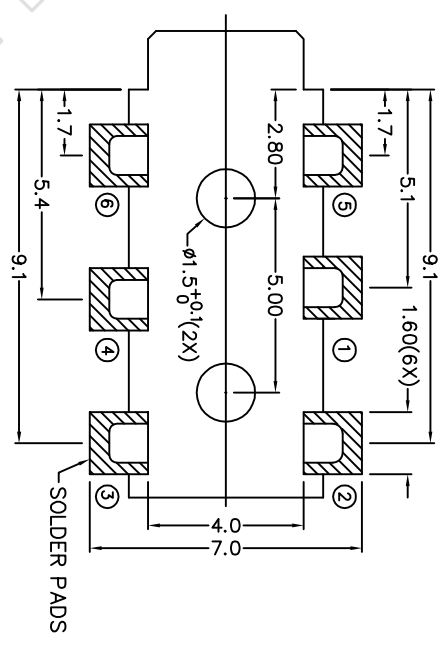
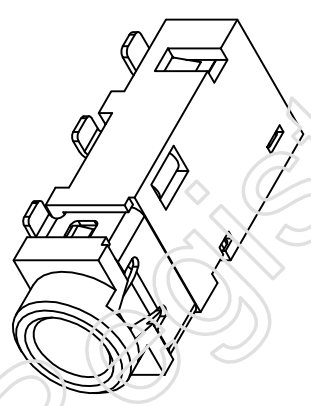
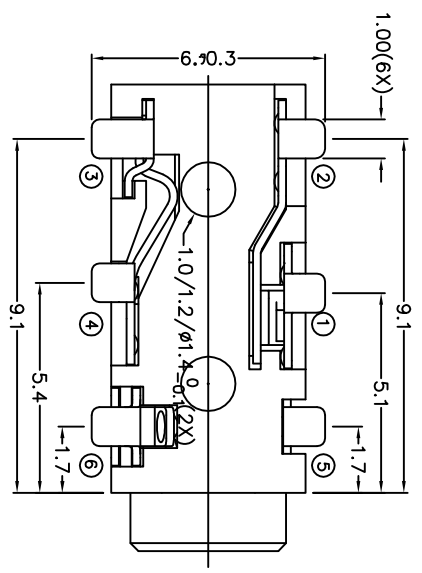
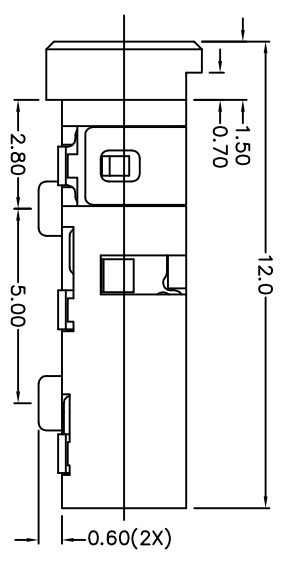
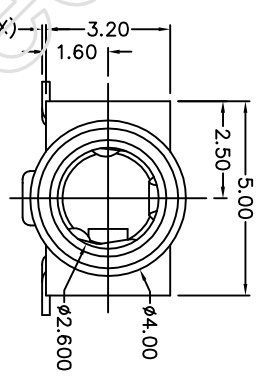
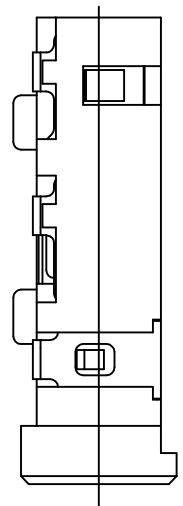


C		B		A	
ZONE	SYMBOL	REVISION	APPROVAL	DATE	



RECOMMENDED
SOLDER PAD LAYOUT

MODEL NO.	AJ203-6-S	AJ203-ST-S	AJ203-SR-S	AJ203-4-S
SCHEMATIC				

NO.	DESCRIPTION	MATERIAL	QTY	PLATING
⑦	TERMINAL 6	COPPER ALLOY	1	AU
⑥	TERMINAL 5	COPPER ALLOY	1	AU
⑤	TERMINAL 4	COPPER ALLOY	1	AU
④	TERMINAL 3	COPPER ALLOY	1	AU
③	TERMINAL 2	COPPER ALLOY	1	AU
②	TERMINAL 1	COPPER ALLOY	1	AU
①	HOUSING	PAGT	1	AU

BELL (SHENZHEN) TECHNOLOGY CO., LTD.

PART NAME	2.5mm AUDIO JACK	TOLERANCE UNLESS	0.0±0.25	UNIT :	mm	DESIGN	DONALD	DATE	2007/10/11	SCALE	4:1
PART NO.	AJ203-6-S	OTHERWISE SPECIFIED:	0.00±0.15 0.000±0.10			APPROVAL	YORK	DATE	2007/10/11	MATERIAL	
										DWG NO.	AJ203
										SHEET	

4 3 2 1

4 3 2 1