

Limit Switch Box



- ★ Compact and Beautiful Design
(结构紧凑, 外观优美)
- ★ Explosion Proof (Ex d BT6 and CT6)
(高等级隔爆)
- ★ Many Size and Many Type
(多品种, 多规格)

无锡埃费尔流体智控仪器有限公司
www.valve-controls.com
aphe.fsc5@gmail.com

ALPHA[®]

ST.HANS GROUP

● Introduction (产品介绍)

▼ General (引子)

ALS series limit switch boxes were designed through advance and state-of-the-art engineering technology which have the product to be solid, beautiful and with high-level quality. The all range of the products fully meets IP specifications and the bracket is designed in light of ISO5211 and NAMUR standard. There are mini type, big type and explosion proof type which include mechanical switches, proximity sensor and magnetic sensor in the range of ALS series products which cover all kind limit switch boxes.

ALS 系列限位开关（回讯器）是依据国际先进的工业艺术设计技术，IP 气候防护标准，ISO5211 标准和 NAMUR 标准，结合回转型控制阀的现场要求设计开发而成。ALS 系列产品有迷你型，坚固型，隔爆型和机械式，接近式，磁感式等多种规格和型号组成，涵盖了回转型控制阀用回讯器的所有种类。ALS 系列回讯器的最高隔爆等级达到 Ex d II CT6 级。

▼ Feature (特点)

1, Compact and Beautiful Design, Polyester powder coated aluminum die-casting housing and hard anodized body of solenoid valve. (结构紧凑，外观优美。)

2, Higher level weather proof (IP67) and/or explosion proof (ExdIIBT6 or ExdIICT6) both for solenoid valve and limit switch box in same time. (高等级气候防护 IP67，高等级隔爆 ExdIIBT6 或 ExdIICT6)

3, Dual cable entries, 2xG1/2 (Standard) and M20x1.5, NPT1/2(Optional) (双向电缆接口，标准 2xG1/2，可选择 M20x1.5, NPT1/2)

4, Multipoint terminal strip, standard 8 points and enough strips for connection (14 points for optional). (多端头接线，简洁安全。标准 8 头，可选端头多达 14 头。)

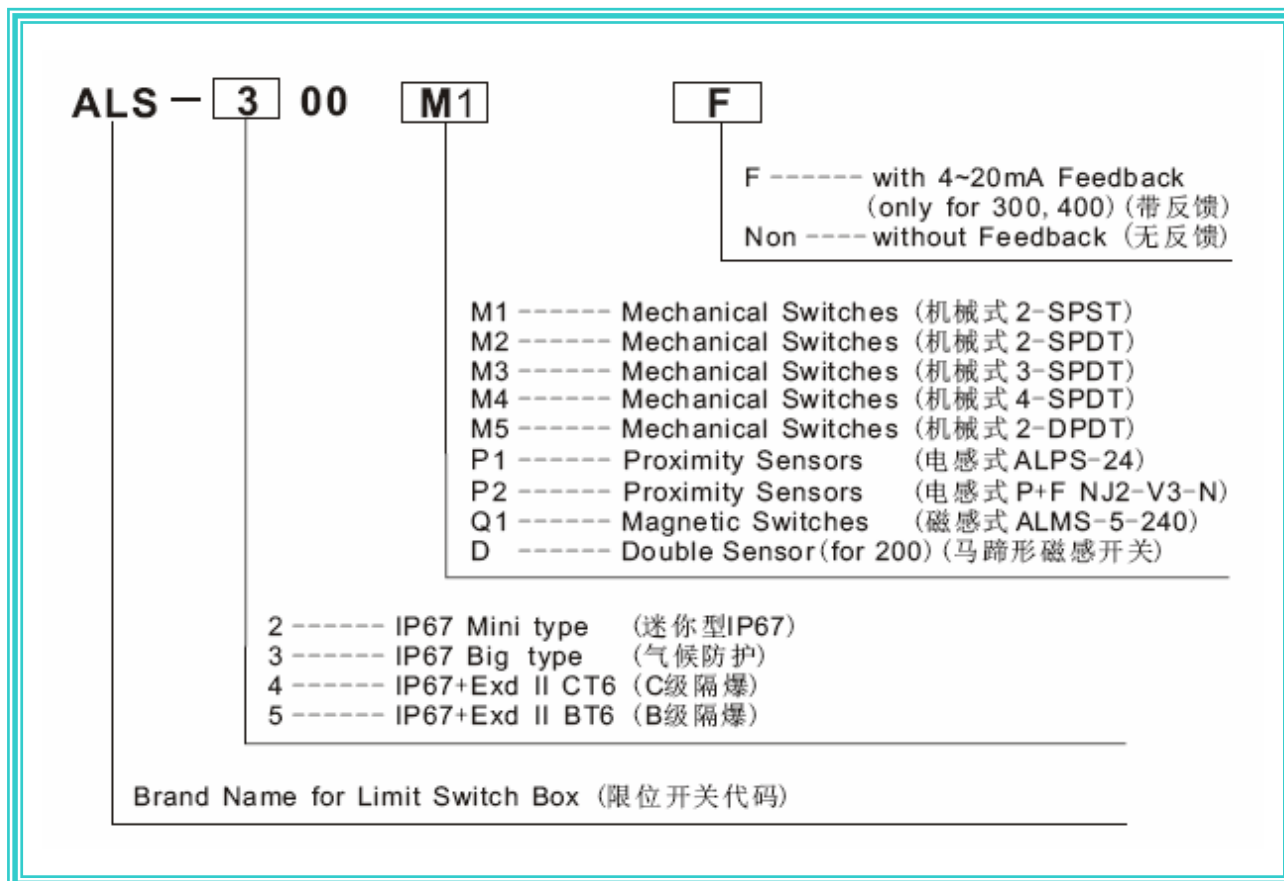
5, Multiview visual Position Indicator, Secure waterproof, multi-angles visual valve positions involving top and side view. (多角度阀位视觉指示，左右侧视，俯视)

6, "Quick-Set" Cam, spring loaded splined cam. no need to adjust again after initial setting and easy setting without tool. (反馈凸轮快速设置，无须专用工具)

7, Captive cover bolts, No worry to loose bolts while cover opens
(采用防脱螺钉，不用担心螺钉掉落)

8, Easy mounting, NAMUR and ISO5211 adjustable bracket same as for 30*80-130 H20-30. standard is steel plate and stainless steel (optional) (采用可调标准支架，同时满足 NAMUR and ISO5211 标准)

▼ Ordering (型号说明)



● Specification (技术规格)

Model	ALS-200	ALS-300	ALS-400	ALS-500
Weather Proof	IP67			
Enclosure Exclusion proof	-		Exd II C T6	Exd II B T6
Temperature Range	-25°C ~ 85°C			
Cable Entry	2×1/2G(BSPP), NPT, BSPT, M20-1.5		2×3/4G(BSPP), NPT, BSPT	
Terminal Strips	8~12	8~14	8~12	8~10
Position Indicator	0~90°		0~90°	
	Open-Yellow; Closed-Red			
Mechanical Switches	5A125-250VAC	15A125-250VAC		
Proximity Sensor	DC 24V (10-30VDC), ≤150mA			
Magnet Sensor	5~240VAC/DC, ≤300mA			
Position Transmitter	Feedback 4-20mA			

● Structure and Material (结构与材料)

▼ Structure



ALS200

ALS300

ALS400

▼ Parts and material

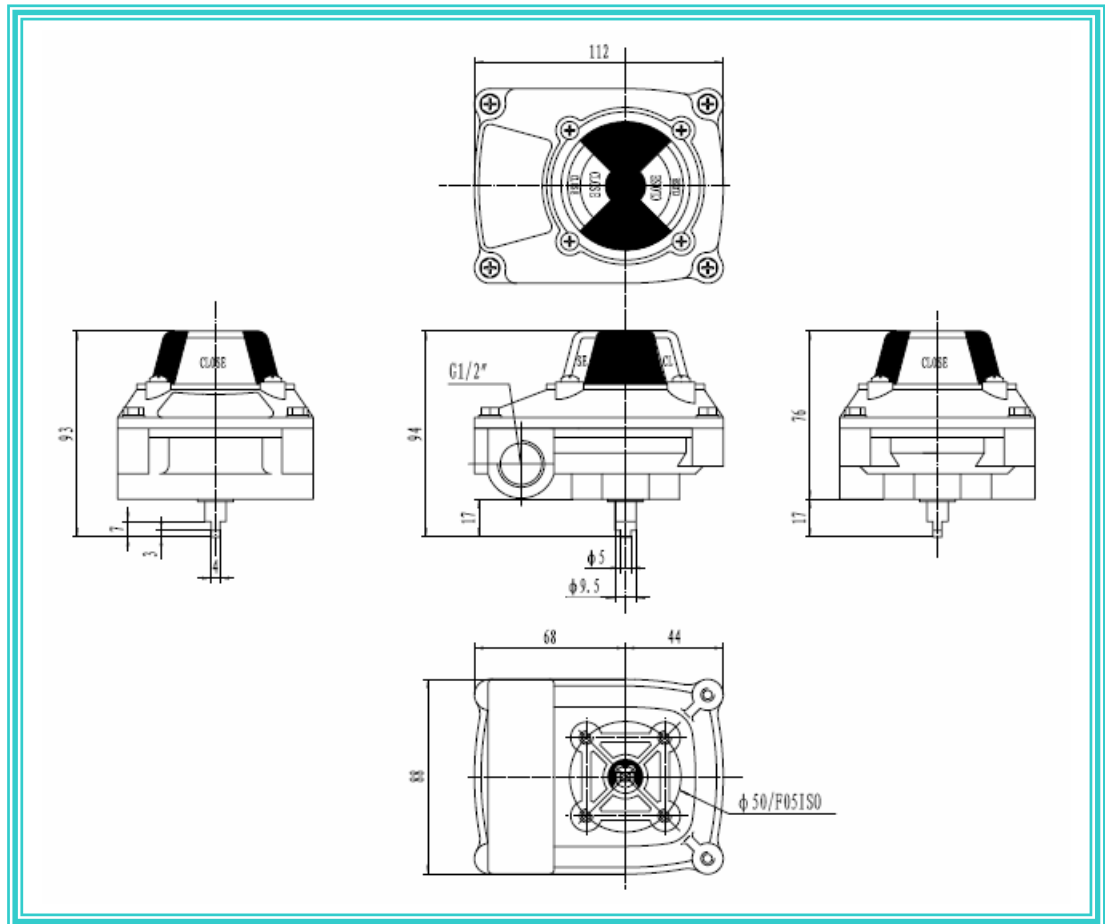
No.	Part Name	Qty.	Material
1	Box Cover	1	Aluminum Die Casting
2	Box Body	1	Aluminum Die Casting
3	Shaft	1	Stainless Steel
4	Indicator Cover	1	Polycarbonate
5	Indicator	1	ABS/Polycarbonate
6	Limit Switch	2	Mechanical/Proximity/ Magnet sensor
7	Terminal Strip	8-14	Polycarbonate, Tin Plated Brass, Stainless Steel
8	Cam	2	Polycarbonate
9	Spring	1	Stainless Steel
10	Cover Bolts	4	Stainless Steel
11	Shaft O-ring	2	NBR
12	Housing O-ring	1	NBR
13	Indicator O-ring	1	NBR
14	Bushing	2	Bronze
15	Earth Lug	1	Stainless Steel
16	E-ring	2	Stainless Steel



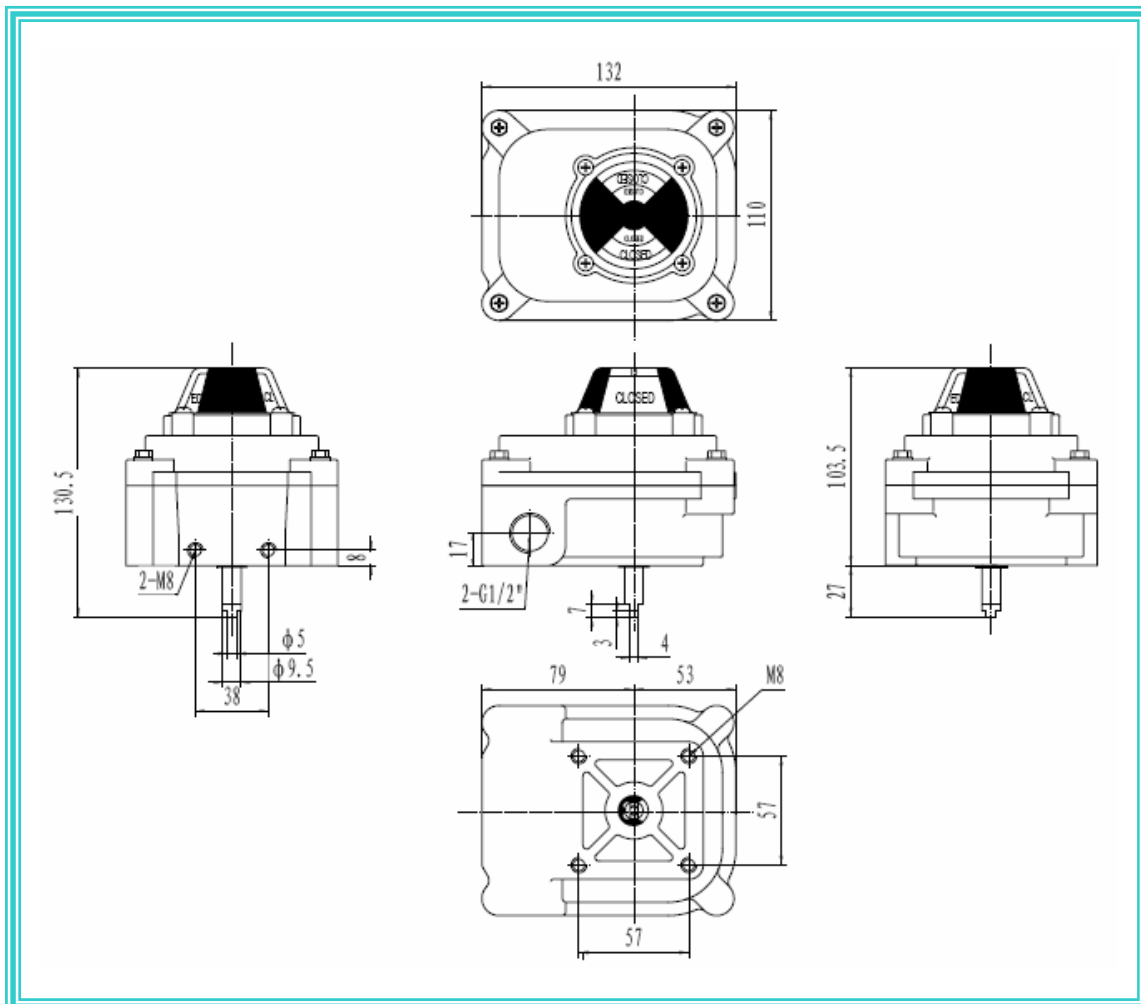
ALS500

● Dimension (外型尺寸)

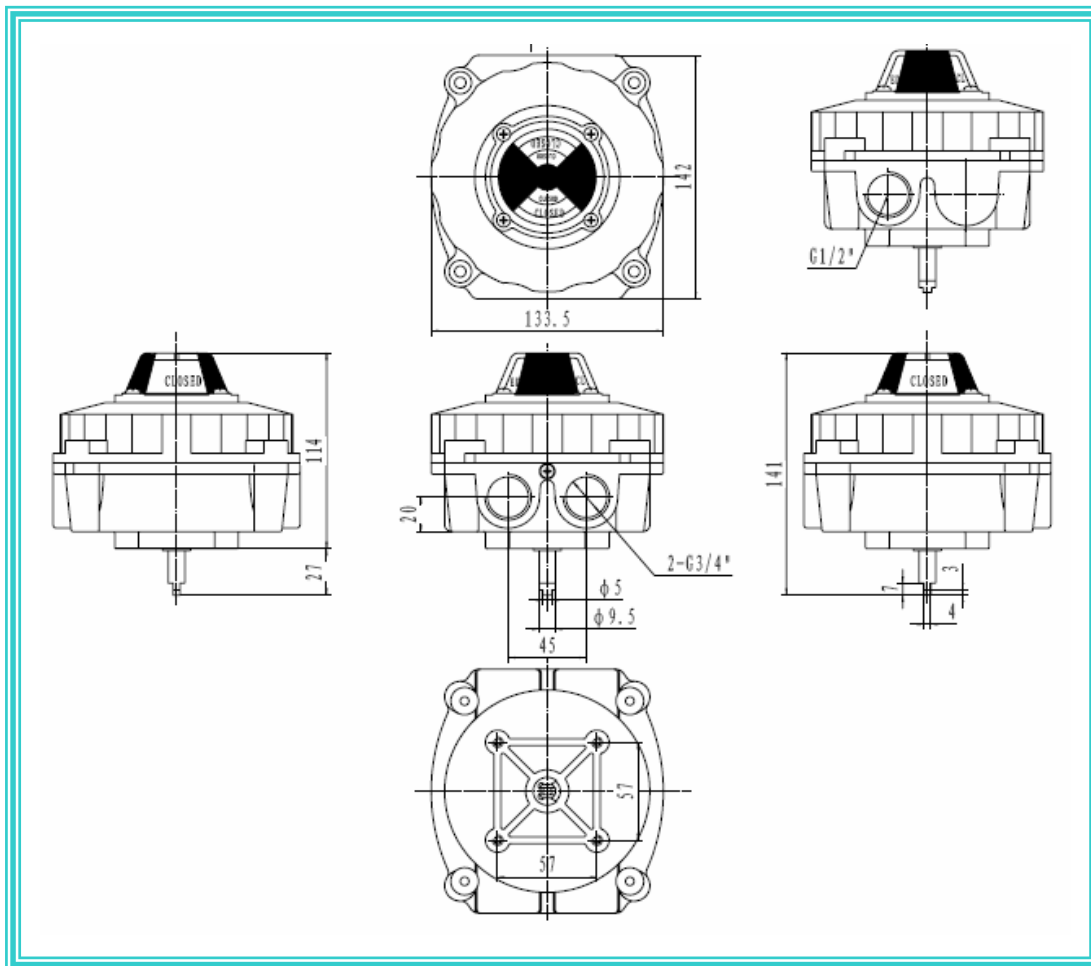
▼ ALS200



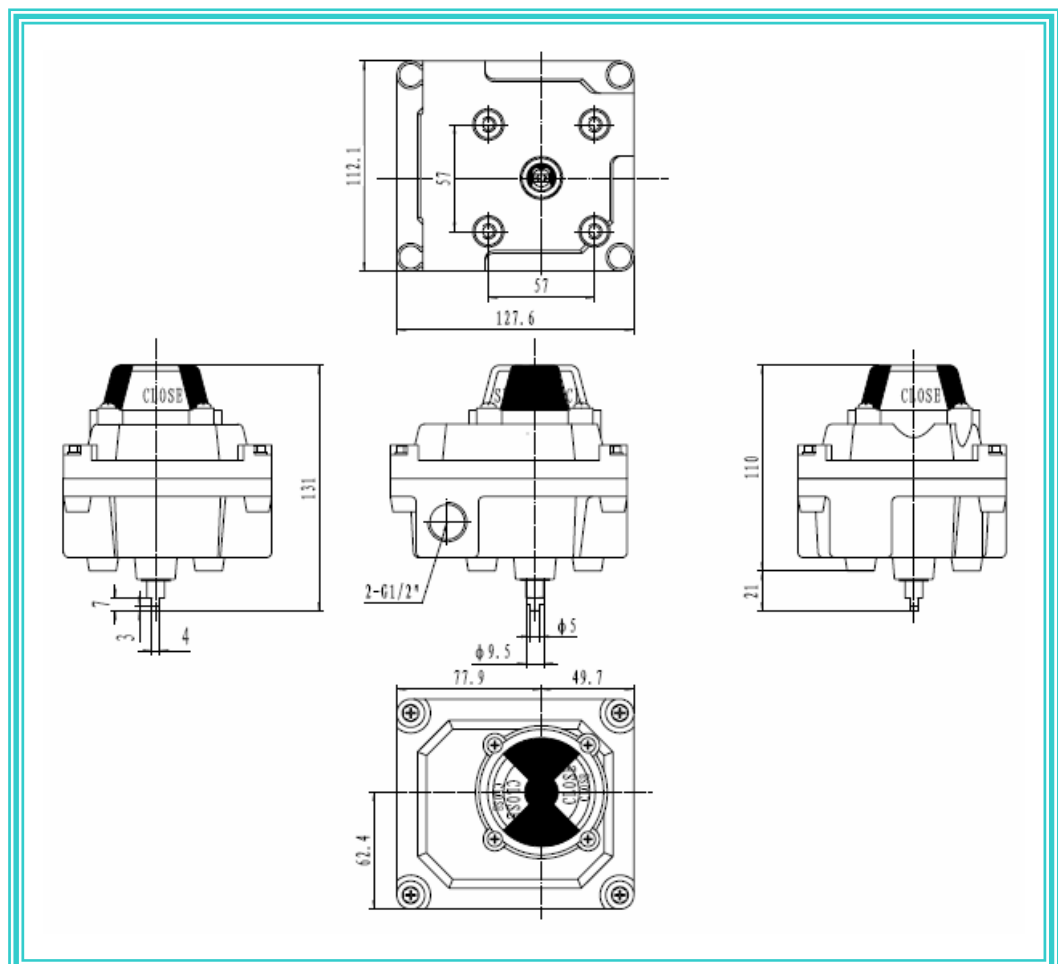
▼ ALS300



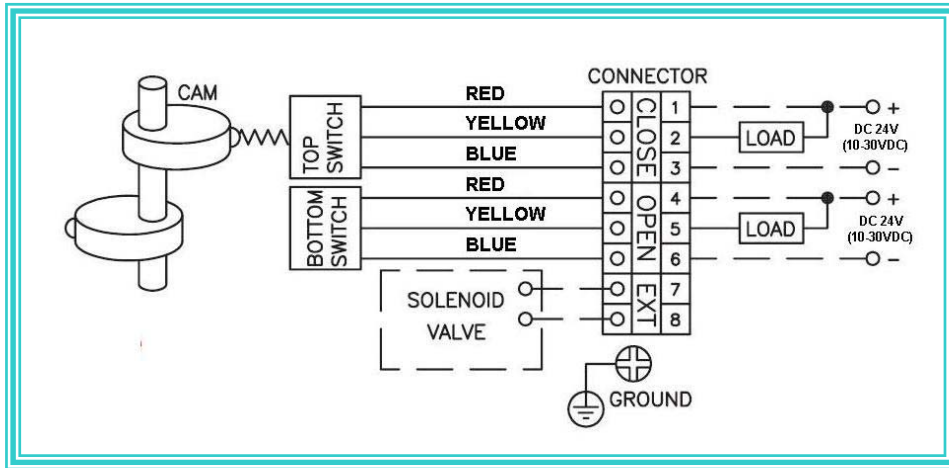
▼ALS400



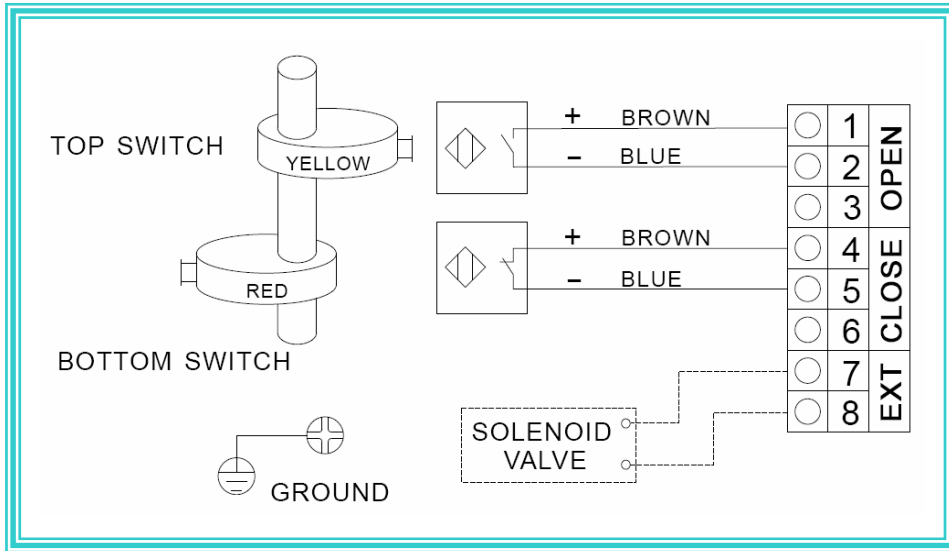
▼ALS500



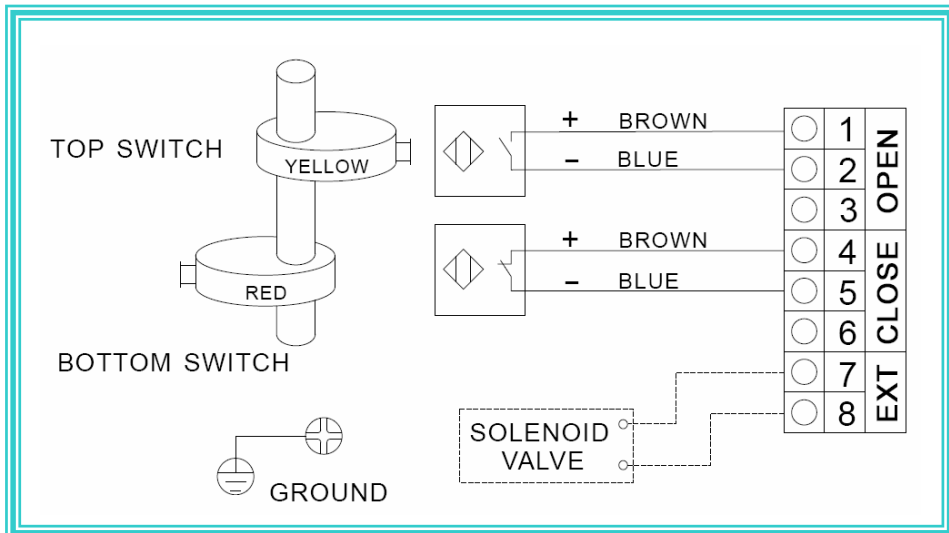
▼ For Proximity Sensor 3-wires (电感开关三线制)



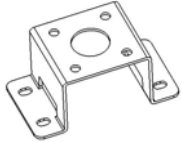
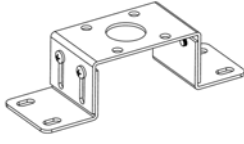
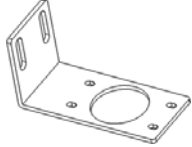
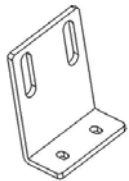
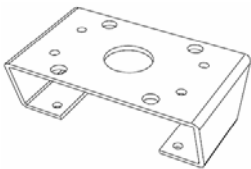
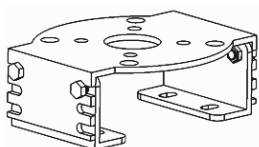
▼ For Proximity Sensor 2-wires (电感开关二线制)



▼ For Magnet Sensor (磁感开关二线制)



● ISO Mounting Bracket (ISO 支架安装)

Model Name	Photo	Material		Application	
MB-1.0		Carbon Steel Polyester Powder coated	S.S.304-2mm	30x80 H:20	ALS200
				30x80 H:30	ALS200
MB-1.1		Carbon Steel Polyester Powder coated	S.S.304-2mm	30x130 H:30~50	ALS200
MB-3.0		Carbon Steel Polyester Powder coated	S.S.304-3mm	30x80 H:20~30	ALS300
MB-3.1		Carbon Steel Polyester Powder coated	S.S.304-3mm	30x130 H:30~50	ALS300
MB-3.2		Carbon Steel Polyester Powder coated	S.S.304-3mm	30x80 H:20	ALS300
MB-3.3		Carbon Steel Polyester Powder coated	S.S.304-2mm	30x80-130 H:20~30	ALS300 ALS400 ALS500

