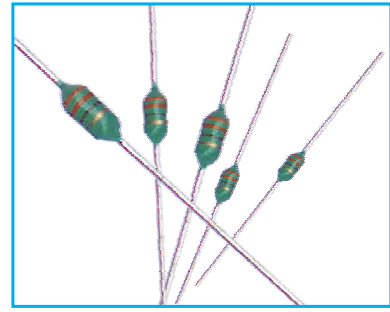


LGA型色碼電感器 LGA TYPE COLOR CODE INDUCTORS

訂貨代碼 HOW TO ORDER

舉例FOR EXAMPLE

LGA	0307	-	220	K	P	52
↓	↓	↓	↓	↓	↓	↓
A	B	C	D	E	F	



A:

產品類別 Product type	
LGA	軸向色碼電感器 Axial color code inductor

B:

本體尺寸 Body Dimensions(mm)		
類型 Type	外徑 Dmax	體長 Lmax
0204	2.3	4.2
0307	2.8	7.0
0410	4.0	10.5
0510	5.0	10.5

C:

標稱電感量 Nominal Inductance(μ H)
<p>* 前兩位數字為有效數字，后一位數字表示零的個數。 The first two digits are significant, and the third digit is number of zero</p> <p>例如For example: 101=100 μH 5R6=5.6 μH R22=0.22 μH</p>

D:

感量偏差 Tolerance	
J	$\pm 5\%$
K	$\pm 10\%$
M	$\pm 20\%$

E:

包裝方式 Packaging style		
編帶 Tape & reel	P	盒帶包裝 Ammo
	T	卷帶包裝 Reel
散包裝 Bulk	F	直腳軸向 Axial
	L	直腳成型 Straight lead formed
	V	彎腳成型 Bent lead formed
	VK	彎腳 K 型 Bent lead K formed

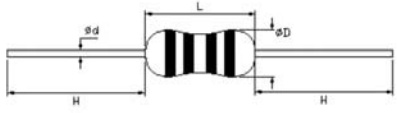
F:

引腳形式 Lead configuration		
編帶 Tape & reel	26	編帶內距: 26 Tape width;
	52	編帶內距: 52 Tape width;
引腳成型 Formed lead	05	引腳腳距: 5.08mm Formed lead pitch;
	07	引腳腳距: 7.5mm Formed lead pitch;
	10	引腳腳距: 10.0mm Formed lead pitch;
	12	引腳腳距: 12.5mm Formed lead pitch;
	15	引腳腳距: 15.0mm Formed lead pitch;
	17	引腳腳距: 17.5mm Formed lead pitch;
	20	引腳腳距: 20.0mm Formed lead pitch;

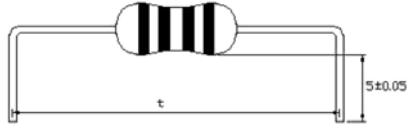
LGA型色碼電感器 LGA TYPE COLOR CODE INDUCTORS

• 外形尺寸 EXTERNAL DIMENSIONS

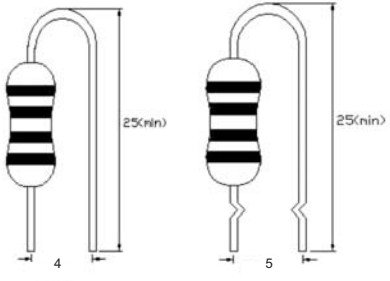
類型 Type	尺寸 Dimensions (mm)				
	$\phi D \leq$	$L \leq$	t	ϕd	$H \geq$
LGA0204	2.3	4.2	t=5.08 ± 0.6 t=7.50 ± 0.6	0.50 ± 0.05	20
LGA0307	2.8	7.0	t=10.0 ± 0.6 t=12.5 ± 0.6	0.50 ± 0.05	
LGA0410	4.0	10.5	t=12.5 ± 0.6 t=15.0 ± 0.6 t=17.5 ± 0.6 t=20.0 ± 0.6	0.60 ± 0.05	
LGA0510	5.0	10.5	t=15.0 ± 0.6 t=17.5 ± 0.6 t=20.0 ± 0.6	0.60 ± 0.05	



轴向 (Axial)

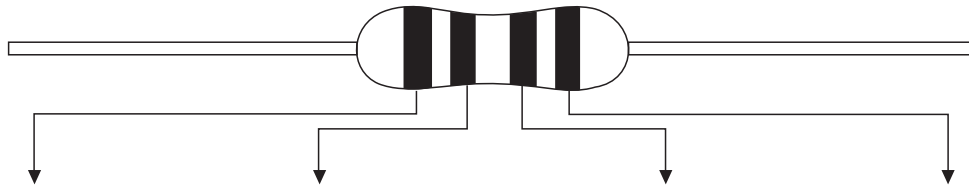


直脚成型 (L type)



彎脚成型 (V type) 彎脚K型 (VK type)

• 色碼標記代號
MARKING



	標稱電感量 Nominal inductance			感量偏差 Tolerance
	第一色環 1 st color zone	第二色環 2 nd color zone	第三色環 3 rd color zone	第四色環 4 th color zone
	第一數字 1 st digit	第二數字 2 nd digit	第三數字 3 rd digit	
黑 Black	0	0	$\times 10^0$ (1)	M: $\pm 20\%$
棕 Brown	1	1	$\times 10^1$ (10)	
紅 Red	2	2	$\times 10^2$ (100)	
橙 Orange	3	3	$\times 10^3$ (1000)	
黃 Yellow	4	4	$\times 10^4$ (10000)	
綠 Green	5	5	$\times 10^5$ (100000)	
藍 Blue	6	6		
紫 Purple	7	7		
灰 Gray	8	8		
白 White	9	9		
金 Gold	/	/	$\times 10^{-1}$ (0.1)	J: $\pm 5\%$
銀 Silver	/	/	$\times 10^{-2}$ (0.01)	K: $\pm 10\%$

例如: For example:

標稱電感量及偏差為 $22 \mu\text{H}$, $\pm 5\%$ 的電感器其色碼為:紅+紅+黑+金;

If nominal inductance&tolerance is $22 \mu\text{H}$, $\pm 5\%$, respectively, red+red+black+gold should be marked.

標稱電感量及偏差為 $1.0 \mu\text{H}$, $\pm 10\%$ 的電感器其色碼為:棕+黑+金+銀;

If nominal inductance&tolerance is $1.0 \mu\text{H}$, $\pm 10\%$, respectively, brown+black+gold+silver should be marked.

標稱電感量及偏差為 $0.22 \mu\text{H}$, $\pm 20\%$ 的電感器其色碼為:紅+紅+銀+黑;

If nominal inductance&tolerance is $0.22 \mu\text{H}$, $\pm 20\%$, respectively, red+red+silver+black should be marked.

備注:LGA0204由于體長較小,只標注前三條代表標稱電感量的色碼.

NOTE:only the first three color zones are marked on the body of LGA0204,due to the small body size.

LGA型色碼電感器 LGA TYPE COLOR CODE INDUCTORS

• 電性參數及測試條件 ELECTRICAL CHARACTERISTICS&TEST CONDITIONS

LGA0204型電感器電性能參數及測試條件
LGA0204 TYPE INDUCTORS ELECTRICAL CHARACTERISTICS&TEST CONDITIONS

LGA0204 類型Type	標稱電感量 Nominal Inductance (μ H)	誤差 Tolerance	Q (min)	直流電阻 RDC (Ω) max	測試頻率 Test frequency (MHZ)	自諧頻率 SRF (MHZ)min	額定電流 Rated current I_{DC} (mA)max
LGA0204-R22	0.22	M: $\pm 20\%$	35	0.40	25.2	150	400
LGA0204-R27	0.27			380			
LGA0204-R33	0.33			370			
LGA0204-R39	0.39			350			
LGA0204-R47	0.47			330			
LGA0204-R56	0.56			320			
LGA0204-R68	0.68			310			
LGA0204-R82	0.82			290			
LGA0204-1R0	1.0			270			
LGA0204-1R2	1.2			260			
LGA0204-1R5	1.5	K: $\pm 10\%$	40	1.0	7.96	80	250
LGA0204-1R8	1.8			60		240	
LGA0204-2R2	2.2			45		230	
LGA0204-2R7	2.7			40		220	
LGA0204-3R3	3.3			38		210	
LGA0204-3R9	3.9			35		200	
LGA0204-4R7	4.7			32		190	
LGA0204-5R6	5.6			30		180	
LGA0204-6R8	6.8			28		175	
LGA0204-8R2	8.2			26		165	
LGA0204-100	10	J: $\pm 5\%$	40	2.5	2.52	24	160
LGA0204-120	12			22		150	
LGA0204-150	15			20		145	
LGA0204-180	18			18		140	
LGA0204-220	22			17		130	
LGA0204-270	27			16		80	
LGA0204-330	33			14		76	
LGA0204-390	39			13		74	
LGA0204-470	47			12		70	
LGA0204-560	56			11		68	
LGA0204-680	68	10	64				
LGA0204-820	82	0.796	11.0	9.5	46		
LGA0204-101	100		12.0	9.0	44		
LGA0204-121	120		13.0	8.0	42		
LGA0204-151	150		16.0	6.0	39		
LGA0204-181	180		18.0	5.5	37		
LGA0204-221	220	20.0	5.0	35			
測試儀器 Test equipment	HP4285A (HP4286A, HP4287A)			HP4338B		HM9461	HP42841A
環境溫度 Ambient temperature	18~25°C						
環境濕度 Ambient humidity	45%~75%						

#特殊要求的產品可以根據客戶要求生產
The products can be customized according to customer requirement.

LGA0307型電感器電性能參數及測試條件

LGA0307 TYPE INDUCTORS ELECTRICAL CHARACTERISTICS & TEST CONDITIONS

LGA0307 類型Type	標稱電感量 Nominal Inductance (μ H)	誤差 Tolerance	Q (min)	直流電阻 RDC max	測試頻率 Test frequency (MHZ)	自諧頻率 SRF (MHZ)min	額定電流 Rated current I_{DC} (mA)max					
LGA0307-R22	0.22	M: $\pm 20\%$	35	0.40	25.2	150	400					
LGA0307-R27	0.27			0.43			380					
LGA0307-R33	0.33			0.48			370					
LGA0307-R39	0.39			0.51			350					
LGA0307-R47	0.47		40	0.56			7.96	144	330			
LGA0307-R56	0.56			0.61					320			
LGA0307-R68	0.68			0.67					310			
LGA0307-R82	0.82			0.74					290			
LGA0307-1R0	1.0		K: $\pm 10\%$	50					0.80	2.52	19	270
LGA0307-1R2	1.2								0.90			260
LGA0307-1R5	1.5				1.0	250						
LGA0307-1R8	1.8				1.1	240						
LGA0307-2R2	2.2				1.2	230						
LGA0307-2R7	2.7				1.3	220						
LGA0307-3R3	3.3				1.4	210						
LGA0307-3R9	3.9				1.6	200						
LGA0307-4R7	4.7			1.7	190							
LGA0307-5R6	5.6			1.9	180							
LGA0307-6R8	6.8			2.0	175							
LGA0307-8R2	8.2			2.2	165							
LGA0307-100	10			2.5	160							
LGA0307-120	12			2.5	150							
LGA0307-150	15			2.8	145							
LGA0307-180	18			3.1	140							
LGA0307-220	22		3.4	130								
LGA0307-270	27		3.8	125								
LGA0307-330	33		4.1	120								
LGA0307-390	39		4.5	115								
LGA0307-470	47		4.9	110								
LGA0307-560	56		5.3	105								
LGA0307-680	68		5.8	100								
LGA0307-820	82		6.3	95								
LGA0307-101	100		7.0	90								
LGA0307-121	120	13.0	90									
LGA0307-151	150	15.0	85									
LGA0307-181	180	16.0	80									
LGA0307-221	220	17.0	75									
LGA0307-271	270	19.0	65									
LGA0307-331	330	20.0	60									
LGA0307-391	390	22.0	55									
LGA0307-471	470	24.0	55									
LGA0307-561	560	26.0	50									
LGA0307-681	680	28.0	45									
LGA0307-821	820	30.0	40									
LGA0307-102	1000	33.0	40									
測試儀器 Test equipment	HP4285A (HP4286A, HP4287A)			HP4338B		HM9461	HP42841A					
環境溫度 Ambient temperature	18~25°C											
環境濕度 Ambient humidity	45%~75%											

#特殊要求的產品可以根據客戶要求生產
The products can be customized according to customer requirement.

LGA型色碼電感器 LGA TYPE COLOR CODE INDUCTORS

LGA0410型電感器電性能參數及測試條件

LGA0410 TYPE INDUCTORS ELECTRICAL CHARACTERISTICS & TEST CONDITIONS

LGA0410 類型Type	標稱電感量 Nominal Inductance (μ H)	誤差 Tolerance	Q (min)	直流電阻 RDC max	測試頻率 Test frequency (MHZ)	自諧頻率 SRF (MHZ)min	額定電流 Rated current I_{DC} (mA)max
LGA0410-R22	0.22	M: $\pm 20\%$	45	0.10	25.2	300	1400
LGA0410-R27	0.27		45	0.11		270	1320
LGA0410-R33	0.33		45	0.12		250	1280
LGA0410-R39	0.39		45	0.13		230	1200
LGA0410-R47	0.47		45	0.14		220	1150
LGA0410-R56	0.56		45	0.15		200	1122
LGA0410-R68	0.68		45	0.16		190	1030
LGA0410-R82	0.82		45	10.17		172	980
LGA0410-1R0	1.0		45	0.19		157	920
LGA0410-1R2	1.2		50	0.21		144	880
LGA0410-1R5	1.5		50	0.23	131	830	
LGA0410-1R8	1.8		55	0.25	121	790	
LGA0410-2R2	2.2		55	0.28	110	750	
LGA0410-2R7	2.7		60	0.30	100	720	
LGA0410-3R3	3.3		65	0.34	94	670	
LGA0410-3R9	3.9		65	0.37	65	640	
LGA0410-4R7	4.7		70	0.39	56	620	
LGA0410-5R6	5.6		70	0.43	48	590	
LGA0410-6R8	6.8		75	0.48	37	550	
LGA0410-8R2	8.2		80	0.52	25	530	
LGA0410-100	10	65	0.58	21	500		
LGA0410-120	12	50	0.63	19	480		
LGA0410-150	15	50	0.72	17	460		
LGA0410-180	18	50	0.77	13	430		
LGA0410-220	22	50	0.84	9.6	410		
LGA0410-270	27	55	0.94	7.2	390		
LGA0410-330	33	55	1.03	6.3	370		
LGA0410-390	39	50	1.12	6.3	350		
LGA0410-470	47	45	1.22	6.3	340		
LGA0410-560	56	40	1.34	6.2	320		
LGA0410-680	68	40	1.47	5.7	305		
LGA0410-820	82	35	1.62	5.3	290		
LGA0410-101	100	30	1.80	4.8	275		
LGA0410-121	120	55	3.70	3.8	185		
LGA0410-151	150	45	4.20	3.5	175		
LGA0410-181	180	50	4.60	3.3	165		
LGA0410-221	220	55	5.10	3.0	155		
LGA0410-271	270	65	5.80	2.8	145		
LGA0410-331	330	65	6.40	2.6	137		
LGA0410-391	390	65	7.00	2.4	133		
LGA0410-471	470	60	7.70	2.25	126		
LGA0410-561	560	60	8.85	2.10	120		
LGA0410-681	680	55	9.40	1.95	113		
LGA0410-821	820	55	10.50	1.85	105		
LGA0410-102	1000	50	1400	1.40	100		
測試儀器 Test equipment	HP4285A (HP4286A, HP4287A)			HP4338B		HM9461	HP42841A
環境溫度 Ambient temperature	18~25 $^{\circ}$ C						
環境濕度 Ambient humidity	45%~75%						

#特殊要求的產品可以根據客戶要求生產
The products can be customized according to customer requirement.

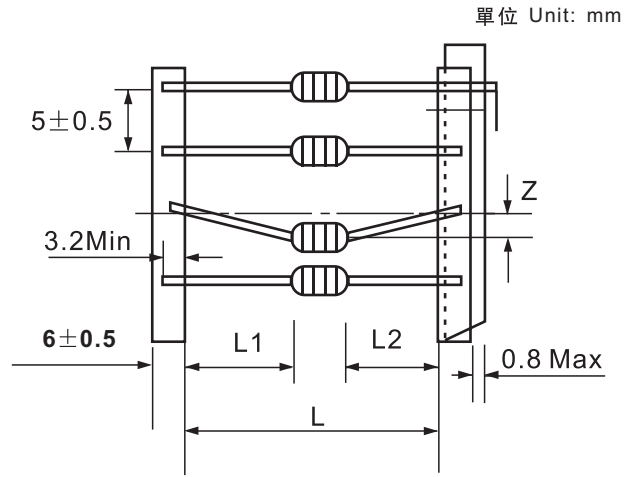
LGA0510型電感器電性能參數及測試條件
LGA0510 TYPE INDUCTORS ELECTRICAL CHARACTERISTICS & TEST CONDITIONS

LGA0510 類型Type	標稱電感量 Nominal Inductance (μ H)	誤差 Tolerance	Q (min)	直流電阻 RDC (Ω)max	測試頻率 Test frequency (MHZ)	自諧頻率 SRF (MHZ)min	額定電流 Rated current I_{DC} (mA)max	
LGA0510-471	470	M: $\pm 20\%$	60	7.70	0.796	1.9	126	
LGA0510-561	560		50	8.50		1.8	120	
LGA0510-681	680		55	9.00		1.5	113	
LGA0510-821	820		45	10.5		1.2	105	
LGA0510-102	1000		K: $\pm 10\%$	45	14.0	0.252	1.0	100
LGA0510-122	1200			40	16.0		0.95	95
LGA0510-152	1500			40	21.6		0.90	90
LGA0510-182	1800			40	24.0		0.85	85
LGA0510-222	2200			40	34.7		0.80	80
LGA0510-272	2700			40	40.0		0.75	75
LGA0510-332	3300			40	59.5		0.70	62
LGA0510-392	3900			J: $\pm 5\%$	40		66.0	0.65
LGA0510-472	4700	40			74.0		0.60	55
LGA0510-562	5600	30			80.0		0.50	40
LGA0510-682	6800	30			85.0		0.45	35
LGA0510-822	8200	30			95.0		0.40	30
LGA0510-103	10000	20	105.0		0.0796	0.35	25	
測試儀器 Test equipment	HP4285A (HP4286A, HP4287A)			HP4338B		HM9461	HP42841A	
環境溫度 Ambient temperature	18~25°C							
環境濕度 Ambient humidity	45%~75%							

#特殊要求的產品可以根據客戶要求生產
The products can be customized according to customer requirement.

- 包裝方式
PACKAGING STYLE

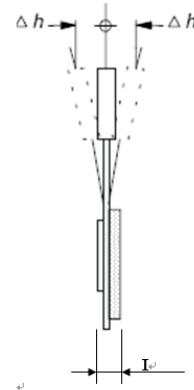
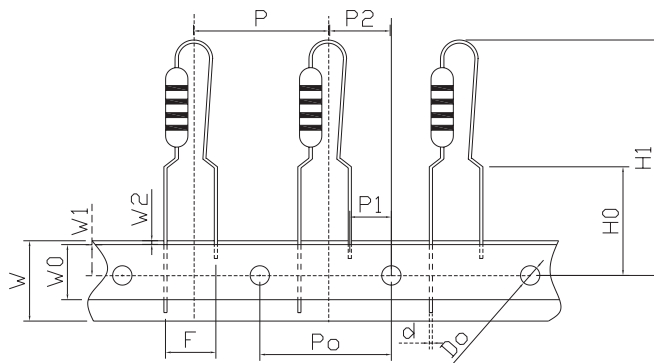
- 卷帶尺寸
TAPING DIMENSIONS



編帶方式 Tape style	L	Z	L1-L2
編帶內距:26 Tape width	26 ± 1.0	0.8 Max	1.0 Max
編帶內距:52 Tape width	$52 \begin{matrix} +2.0 \\ -1.0 \end{matrix}$	1.2 Max	

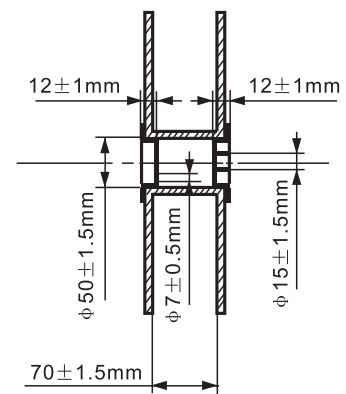
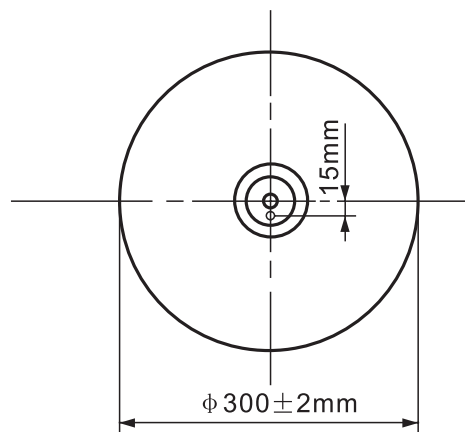
• 立式卷帶尺寸
VERTICAL TAPING DIMENSIONS

單位 Unit: mm

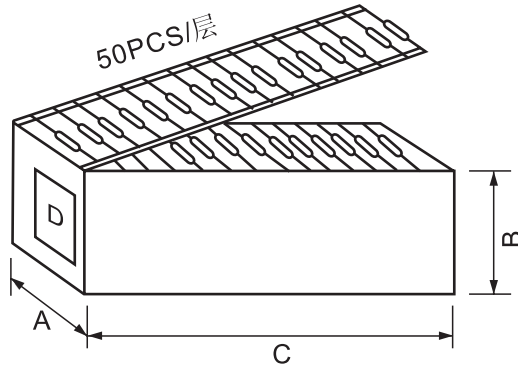


代号 Code1	P	P0	P1	P2	d	Δh	W	W0	W1	W2	H0	H1	D0	I	F
尺寸 Dim.	12.7	12.7	3.85	6.35	0.6	0	18.5	12	9	1.5	15-20	32.25	4.0	1.4	5
误差 Tol.	± 1.0	± 0.2	± 0.7	± 0.4	± 0.1	± 1.0	± 1.0	± 1.0	± 1.0	± 1.5	± 0.5	Max	± 0.2	Max	± 0.8

• 卷帶包裝尺寸
TAPE&REEL PACKAGING DIMENSIONS



- 盒帶包裝尺寸
AMMO PACKAGING DIMENSIONS



- 包裝盒尺寸
DIMENSIONS OF BOX

單位 Unit: mm

編帶類型 Tape type	尺 寸 Dimensions (±5mm)		
	A	B	C
52	75	82	260
26	50	82	260

- 包裝數量
PACKAGING QUANTITY

單位 Unit: pcs

包裝方式 Packaging style	盒帶包裝 Ammo	散包裝 Bulk
包裝數量 Quantity	2000	1000

可根據用戶需求包裝
Packaging according to customer's requirement