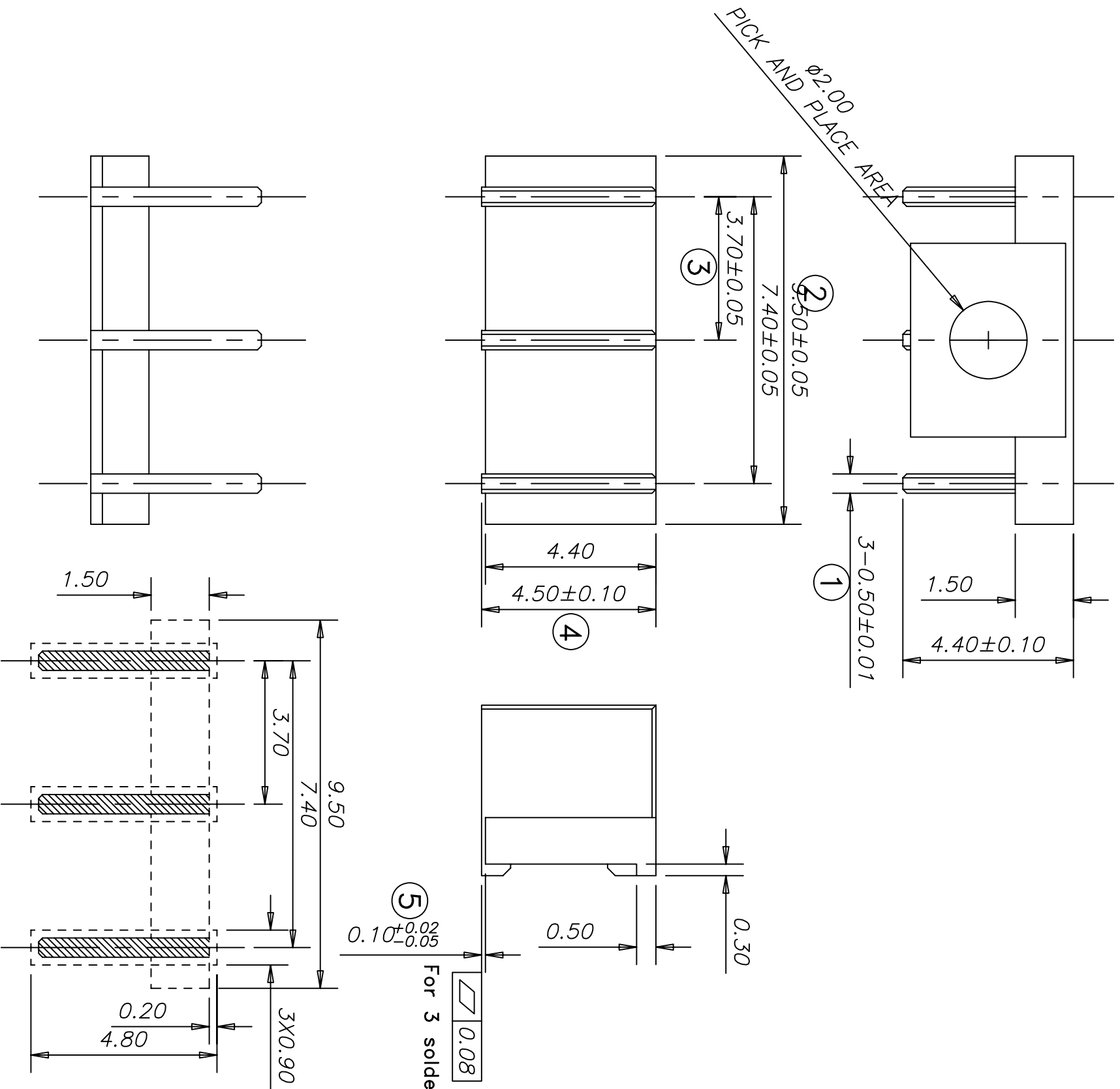
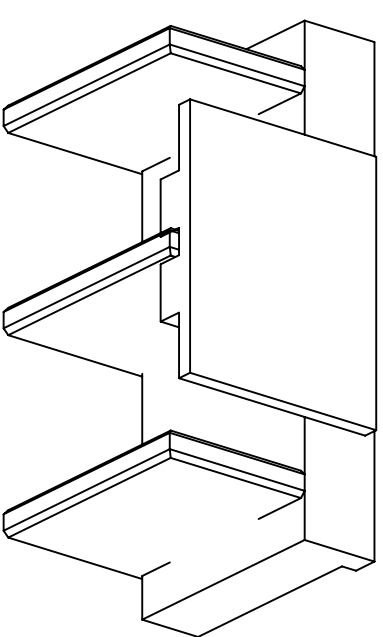


Customer Drawing

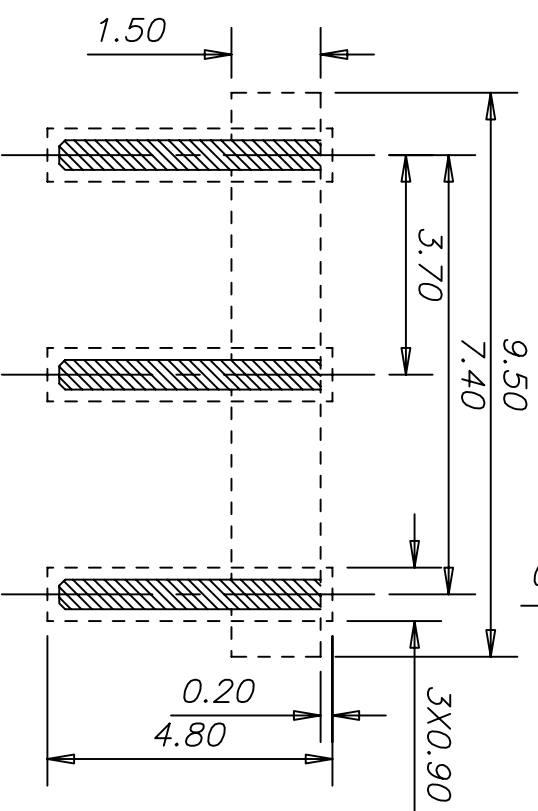
REVISIONS				
SYM	ECN/CHN	DESCRIPTION	DATE	APPROVED
A	ECN	RELEASE TO CUSTOMER	02/19/09	David
B	ECN	UPDATE	02/26/09	David
C	ECN	UPDATE	02/26/09	David



For 3 solder surface.

- NOTES:
- MATERIAL:**
A. PIN: ALLOY COPPER
B. INSULATOR: HIGH TEMPERATURE THERMOPLASTIC UL94V-0, BLACK.
 - FINISH:**
50-100 MICRONS (1.27-2.54 MICRON) NICKEL UNDERPLATED ALL OVER, 10 MICRONS (0.254 MICRON) GOLD PLATED AT MATING AREA;
 - ELECTRICAL SPECIFICATIONS:**
VOLTAGE RATING: 250 VAC MIN
CURRENT RATING: 2.0 A MIN
DIELECTRIC STRENGTH: 1000 VAC FOR 1 MINUTE MIN
INSULATION RESISTANCE: 1000 MEG OHM MIN
CONTACT RESISTANCE: 30 MILL.OHM MAX
OPERATION TEMPERATURE: -55°C TO +125°C
PRODUCT WITHSTANDING REFLOW SOLDERING 250°C FOR 10S
 - MECHANICAL SPECIFICATIONS:**
4.1 DURABILITY: 5,000 CYCLES
4.2 NORMAL FORCE AT WORKING POSITION: 80g MIN.
5. PARTS TO BE PACKAGED IN ANTI-STATIC TAPE AND REEL FOR AUTOMATIC PLACEMENT.
 - COPLANARITY IS 0.10MAX FOR 3 SOLDER SURFACE.**

RECOMMENDED PCB LAYOUT



UNLESS OTHERWISE SPECIFIED		APPROVAL		DATE	
TOLERANCES		DRAWN	QION	02/19/09	
U.S.	METRIC	CHECKED			
X +/-	0.20	CHECKED			
XX +/-	0.15				
XXX +/-					
FRACTIONS +/-					
ANGLES +/-	1°				
FOR MATERIALS AND FINISHES SEE NOTES		DRAWING FILE :			
REMOVE SHARP EDGES		ANGLE OF PROJECTION			
DIMENSIONS		SCALE		SHEET 1 OF 1	
U.S.	INCHES	NONE			
(METRIC)	(MM)				
TITLE		SIZE		REV.	
3 Pin Power Connector(N85)		A3		C	
SHENZHEN WFD ELECTRONICS CO., LTD		DRAWING NO.		MPB-3744D-0301	
		SCALE		NONE	