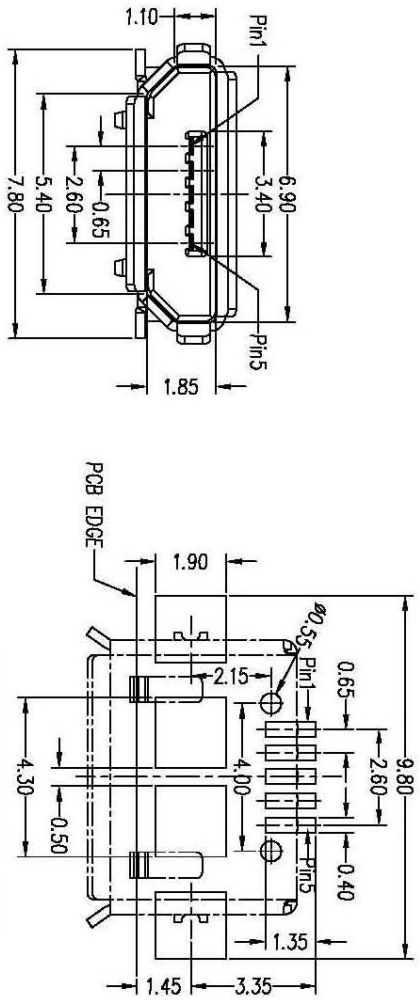
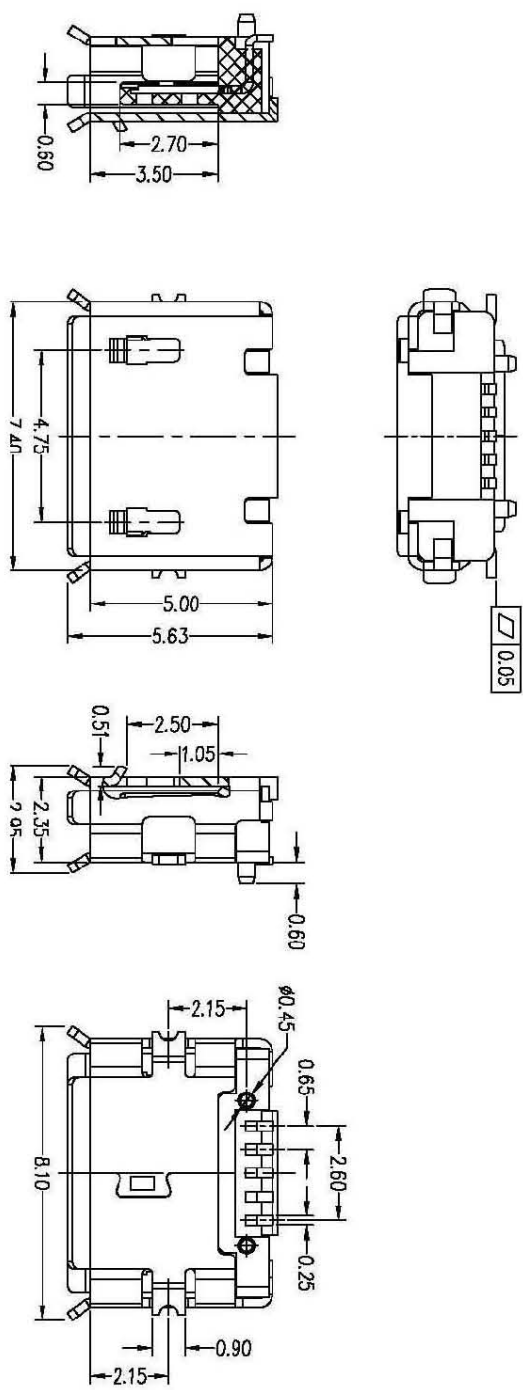
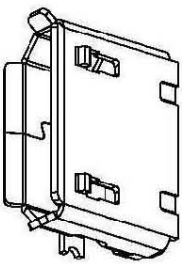
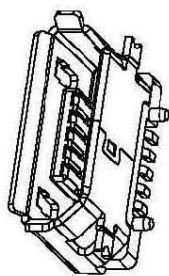


REV.	ECN.	NO.	APPD.
1	N/A		



RECOMMENDED PCB LAYOUT

- Note:
1. Material: High temperature thermoplastic with g.f.U.L94v-0
 - 1.2 Contact: copper alloy,t=0.20mm
 - 1.3 Shell: copper alloy,t=0.25mm
- 2.Specification:
- 2.1 Current rating: 1 A Max.
 - 2.2 Dielectric withstanding voltage: 100 V(ac) for 1 min.
 - 2.3 Contact resistance: 50 mΩ Max.
 - 2.4 Insulation resistance: 100 MΩ Min.
 - 2.5 Total mating force: 3.57 Kgf Max.
 - 2.6 Total unmating force: 1.0 Kgf Min,0.81~2.05 Kgf Min.after 10000 insertion/extraction cycles
 - 2.7 Temperature range: -30°C~80°C

深圳市旺富达电子有限公司

MEASURE POINT: QUADRANT POINT (Q), TANGENCY POINT (T), INTERSECTION POINT (I)

UNLESS OTHERWISE SPECIFIED, TOLERANCE:

X	±0.20
X.X	±0.15
X.XX	±0.10
ANGULAR	±3°

DESIGN	Bill Yang	DATE	08.07.27	TITLE:	Micrto USB 5PIN B 有定位柱
CHECKED		DATE			
APPROVED		DATE			
PART NO:	MPB30D05B	REV:	1	SCALE:	1:1
DRAWING NO:	N/A	SIZE:	A4	SHEET:	1/1