

EDS01/EDR01 Series

1.27*2.54mm (0.050"*0.100") Ejector Header, Straight/Right Angle Type

SPECIFICATIONS

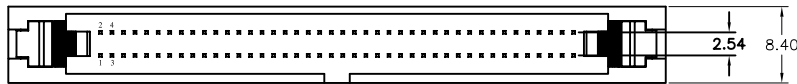
Current Rating : 1AMP
 Contact Resistance : 20mΩ Max.
 Insulation Resistance: 1000MΩ Min.
 Withstanding Voltage : 500V AC/minute
 Operation Temperature: -40° C to +105° C
 Contact Material : Brass
 Contact plating : Gold Flash Plated
 Insulator Material : High Temperature Thermoplastic (UL94V-0)
 Standard: PA6T+30%G.F



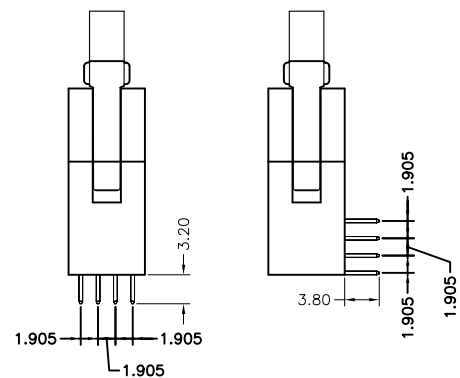
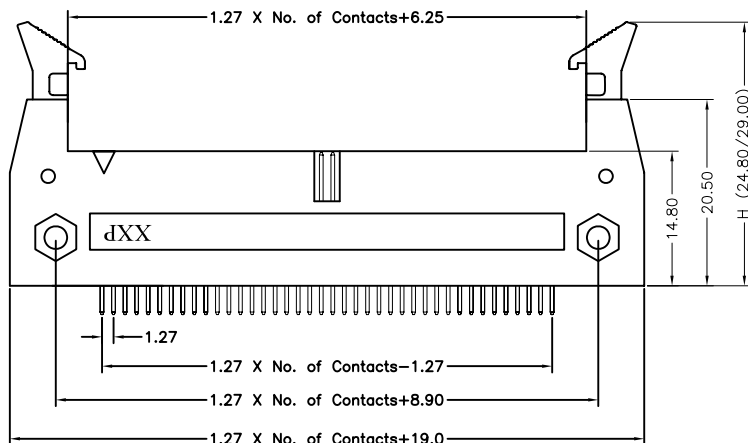
Ordering Information

EDS01L — XX G0 02
 EDR01L
 EDS01S
 EDR01S

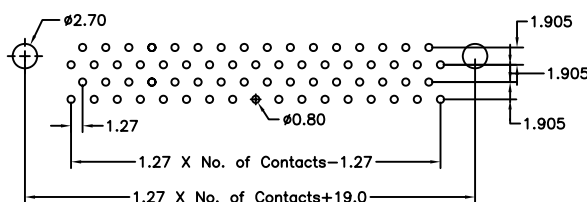
Packing: 1=Bag 2=Tray 3=Reel 4=Tube
 Contact Plating: G0 : Gold Flash G3 : 3u" Gold G6 : 15u" Gold
 G1 : 1u" Gold G4 : 5u" Gold G8 : 30u" Gold
 G2 : 2u" Gold G5 : 10u" Gold
 Total Rows: 20~100
 Product Series



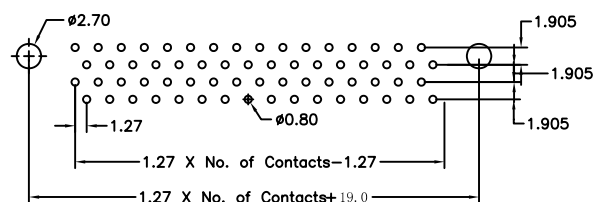
Product Series		Information
H=29.00	EDS01L Series EDR01L Series	Long Latch
H=24.80	EDS01S Series EDR01S Series	Short Latch



EDS01L(S) Series EDR01L(S) Series



26, 34, 50 Position



20, 32, 40, 52, 60, 68, 80, 100 Position

Recommended PCB Layout