

## KEY FEATURES

- Fully Isolated Plastic Case with IP65 Level
- Constant Current
- Universal Input: 90-264 VAC
- With P.F.C. Function, PF>0.93
- High Efficiency up to 86%
- Turn-on Delay < 250ms
- Protections: Over Load / Over Voltage / Short Circuit  
Over Temperature(optional)
- High Reliability & Double Layered PCB
- 3-Years Product Warranty



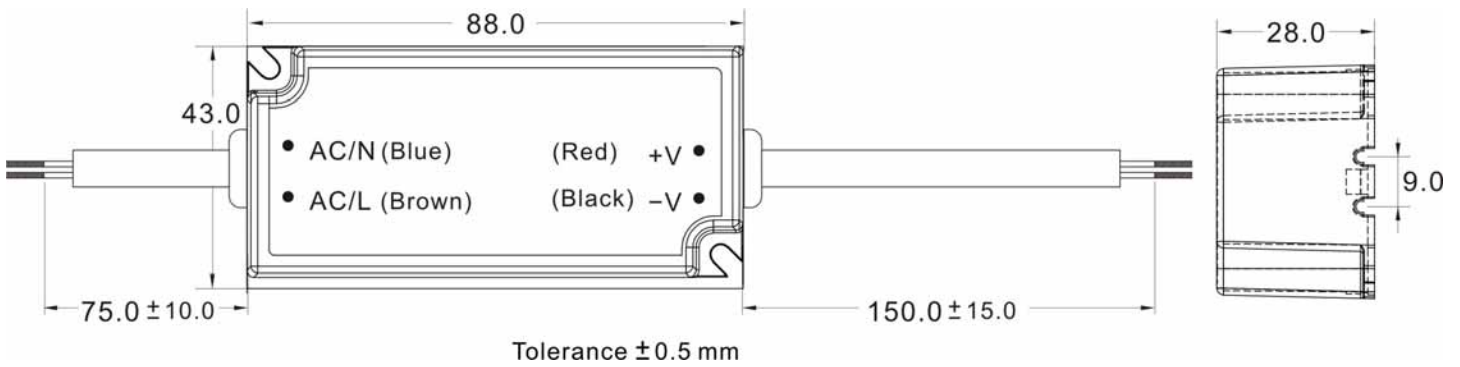
## ELECTRICAL SPECIFICATIONS

All specifications valid at normal input voltage, full load and +25°C after warm-up time unless otherwise stated.

Model No.	PLF16-1050	PLF16-700	PLF16-350	
Max output wattage ( W )	16.38W	16.8W	16.8W	
Input	Voltage (Note1)			90-264 VAC
	Frequency (Hz)			47~63 Hz
	Power factor			PF>0.93 at full load (115/230 VAC)
	Current (full load)			0.6A max. (115 VAC) / 0.3A max. (230 VAC)
	Inrush current			40 A max. (Cold Start at 230 VAC)
	Leakage current			<0.25mA
Output	Voltage (V.DC.) (max)	15.6V	24V	48V
	Operation Voltage (Note2)	11~15.6VDC	16.8~24VDC	33.6~48 VDC
	Current (mA)	1050	700	350
	Load Regulation (Min-Max) (typ.)	±4%		
	Ripple & Noise (max) (Note3)	3Vp-p		
	Current Regulation (at 230VAC) (Note4)	±5%		
	Efficiency (typ) (at 230VAC)	84%	86%	86%
Protection	Over Temperature protection(optional)	Auto recovery		
	Over voltage protection	Auto recovery		
	Short circuit protection	Auto recovery		
Isolation	Input-Output (V.AC)	4000V		
Environment	Operating temperature	-30°C...+70°C (with derating)		
	Storage temperature	-40°C...+85°C		
	Temperature coefficient	0.1%/°C		
	Humidity	95% RH		
	MTBF	>906,500 h @ 25°C (MIL-HDBK-217F)		
Physical	Dimension (L x W x H)	3.47 x 1.69 x 1.1 Inches (88.0 x 43.0 x 28.0 mm ) Tolerance ±0.5 mm		
	Weight	150 g		
	Cooling method	Free air convection		
Safety & EMC	Safety Standards	EN61347 · EN61347-2-13		
	EMI (Conducted & Radiated Emission)	EN 55015		
	EMS (Noise Immunity)	EN 61547		

**Note:**

1. Please check the derating curve for more details.
2. This is the suitable operation region for LED related application. but please reconfirm special electrical requirements for some specific system design
3. Ripple & Noise are measured at 20MHz of bandwidth with 0.1uF & 47uF parallel capacitor.
4. (1) Current Regulation  $\leq \pm 7.5\%$  (at 115VAC Input Voltage)  
 (2) Current Regulation  $\leq \pm 10\%$  (at other Input Voltage)

**MECHANICAL DIMENSION ( Top View )**


PIN#	SINGLE
1	AC IN (N)
2	AC IN (L)
3	+DC OUT
4	-DC OUT

**DERATING**
