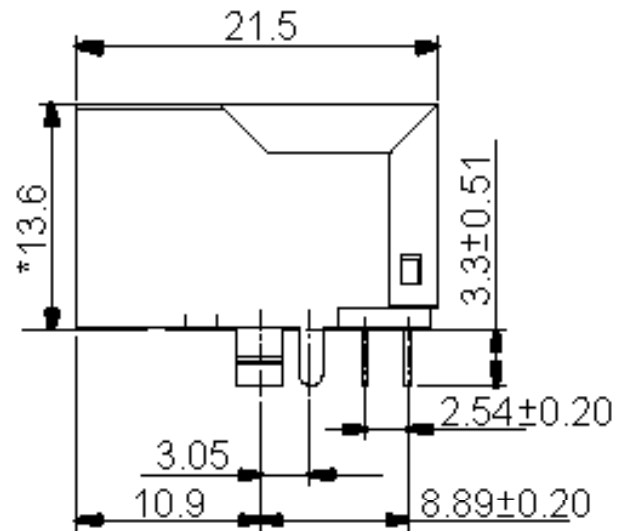
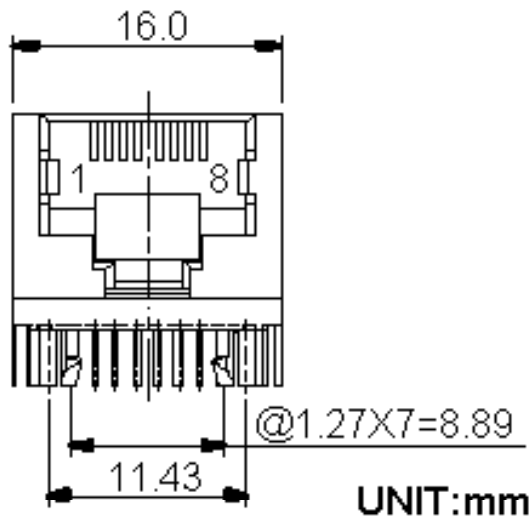
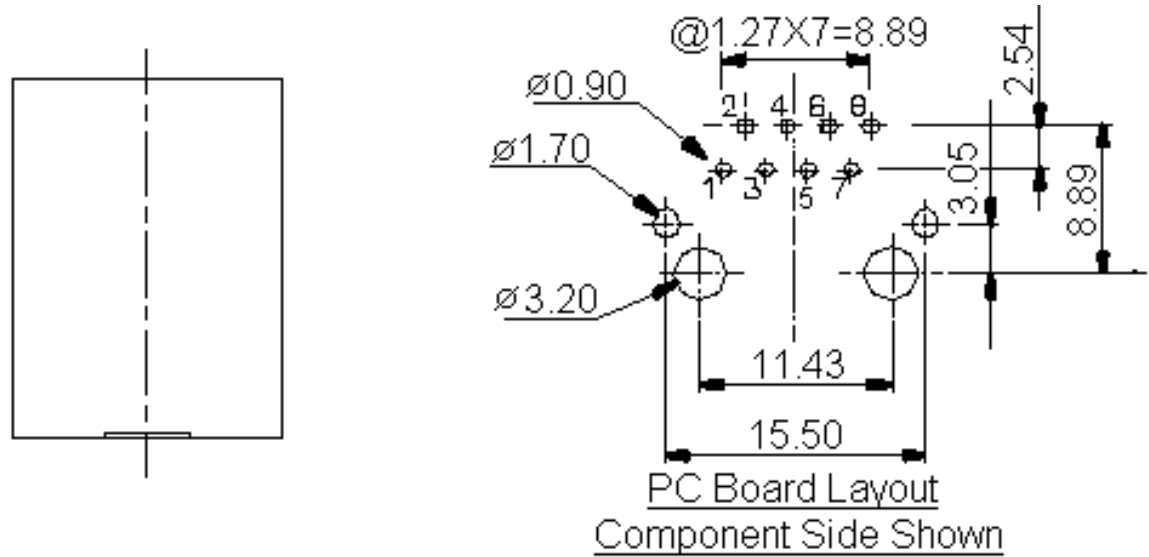


MECHANICAL DIMENSIONS



元册科技股份有限公司

YUAN DEAN SCIENTIFIC CO., LTD.

TITLE	10 BASET RJ-45 INTEGRATED FILTER MODULES&CHOKE			P/N	12F-10BNW2NL	DATE	MAR.22.2005
REV.	1.0	PAGE NO	1-2	AP'PD		DWN	Lee

SCHEMATIC

ELECTRICAL SPECIFICATIONS@25°C:

Turn Ratio: Transmit =1CT:1CT±5% , Receive = 1CT:1CT±5%

I/O IMPEDANCE : 100Ω

INSERTION LOSS (TX&RX@1 – 10MHZ): -1.0dB MAX.

Return Loss(TX&RX@1 – 10MHZ): -15dB MIN.

Crosstalk (TX/RX@1 – 10MHZ): -30dB MIN.

Attenuation (TX , dB MIN.):-30dB(30MHZ)

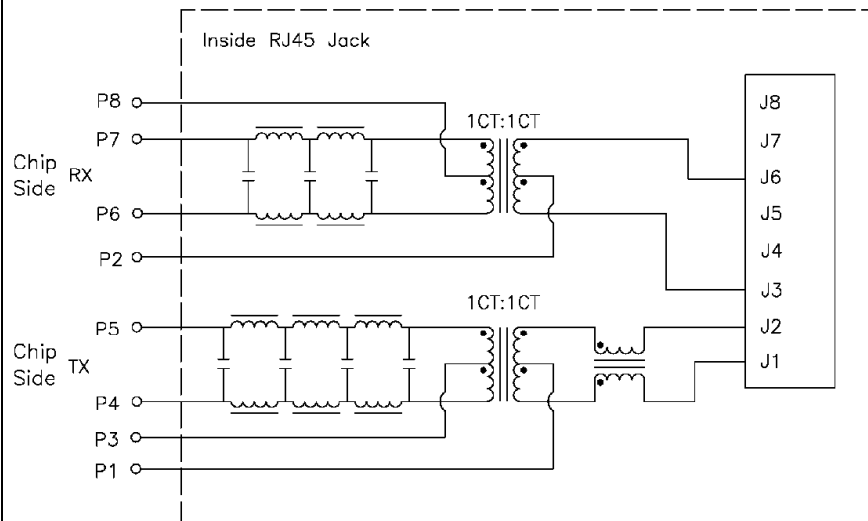
Attenuation (RX , dB MIN.):-20dB(30MHZ)

CUTOFF FREQUENCY(TX/RX): 17MHZ TYP.

HIPOT TEST (UTP SIDE TO CHIP SIDE): 1500 Vrms

OPERATING TEMPERATURE : 0°C ~ +70°C

STORAGE TEMPERATURE : -40°C ~ +125°C



FEATURES

- RJ45 connector integrated with Filter.
- Size same as RJ45 connector to save PCB board space.
- Reduce EMI radiation , Improve EMI performance.

Ref.: HR901170A

Gold Plated=6u”



元册科技股份有限公司

YUAN DEAN SCIENTIFIC CO., LTD.

TITLE	10 BASET RJ-45 INTEGRATED FILTER MODULES&CHOKE			P/N	12F-10BNW2	DATE	MAR.22.2005
REV.	1.0	PAGE NO	2-2	AP'PD		DWN	Lee