

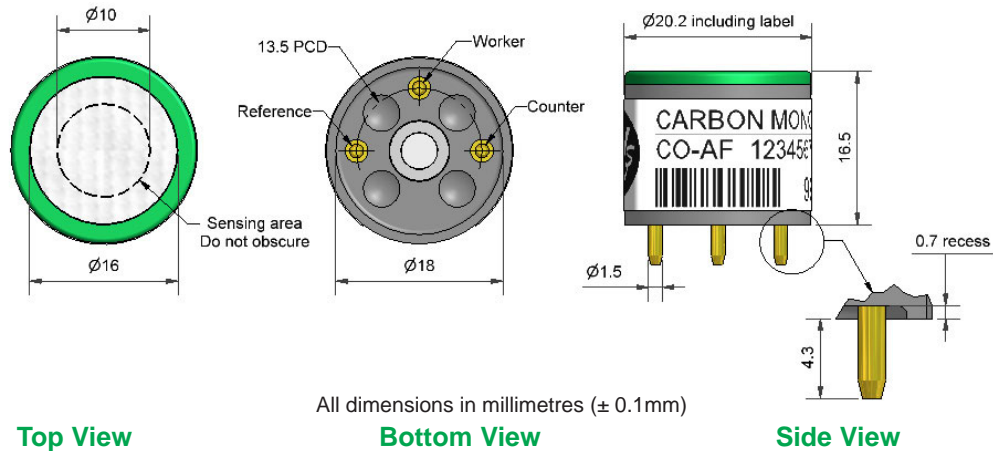


# CO-AF Carbon Monoxide Sensor



PATENTED

Figure 1 CO-AF Schematic Diagram



# Technical Specification

<b>PERFORMANCE</b>	Sensitivity	nA/ppm in 400ppm CO	55 to 90
	Response time	$t_{90}$ (s) from zero to 400ppm CO	< 25
	Zero current	ppm equivalent in zero air	< $\pm 2$
	Resolution	RMS noise (ppm equivalent)	< 0.5
	Range	ppm CO limit of performance warranty	5,000
	Linearity	ppm error at full scale, linear at zero, 400ppm CO	+15 to +25
	Overgas limit	maximum ppm for stable response to gas pulse	10,000
<b>LIFETIME</b>	Zero drift	ppm equivalent change/year in lab air	< 0.2
	Sensitivity drift	% change/year in lab air, monthly test	< 8
	Operating life	months until 80% original signal (24 month warranted)	> 24
<b>ENVIRONMENTAL</b>	Sensitivity @ -20°C	% (output @ -20°C/output @ 20°C) @ 400ppm CO	80 to 88
	Sensitivity @ 50°C	% (output @ 50°C/output @ 20°C) @ 400ppm CO	102 to 110
	Zero @ -20°C	ppm equivalent change from 20°C	< $\pm 3$
	Zero @ 50°C	ppm equivalent change from 20°C	+2 to -9
<b>CROSS SENSITIVITY</b>	Filter capacity	ppm-hours	H <sub>2</sub> S 250,000
	Filter capacity	ppm-hours	NO <sub>2</sub> 600,000
	Filter capacity	ppm-hours	NO 20,000
	Filter capacity	ppm-hours	SO <sub>2</sub> 300,000
	H <sub>2</sub> S sensitivity	% measured gas @ 20ppm	H <sub>2</sub> S < 0.1
	NO <sub>2</sub> sensitivity	% measured gas @ 10ppm	NO <sub>2</sub> < 0.1
	Cl <sub>2</sub> sensitivity	% measured gas @ 10ppm	Cl <sub>2</sub> < 0.1
	NO sensitivity	% measured gas @ 50ppm	NO < 5
	SO <sub>2</sub> sensitivity	% measured gas @ 20ppm	SO <sub>2</sub> < 0.1
	H <sub>2</sub> sensitivity	% measured gas @ 400ppm	H <sub>2</sub> at 20°C < 60
C <sub>2</sub> H <sub>4</sub> sensitivity	% measured gas @ 400ppm	C <sub>2</sub> H <sub>4</sub> < 25	
NH <sub>3</sub> sensitivity	% measured gas @ 20ppm	NH <sub>3</sub> < 0.1	
<b>KEY SPECIFICATIONS</b>	Temperature range	°C	-30 to 50
	Pressure range	kPa	80 to 120
	Humidity range	% rh continuous	15 to 90
	Storage period	months @ 3 to 20°C (stored in sealed pot)	6
	Load resistor	$\Omega$ (recommended)	10 to 47
	Weight	g	< 6



At the end of the product's life, do not dispose of any electronic sensor, component or instrument in the domestic waste, but contact the instrument manufacturer, Alphasense or its distributor for disposal instructions.

**NOTE:** all sensors are tested at ambient environmental conditions, with 10 ohm load resistor, unless otherwise stated. As applications of use are outside our control, the information provided is given without legal responsibility. Customers should test under their own conditions, to ensure that the sensors are suitable for their own requirements.



# CO-AF Performance Data

# Technical Specification

Figure 2 Sensitivity Temperature Dependence

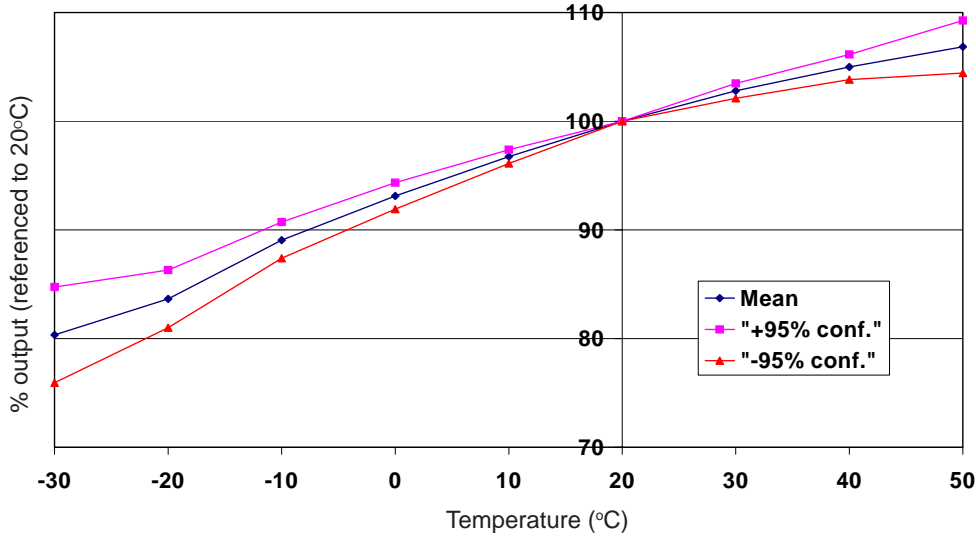


Figure 2 shows the variation in sensitivity caused by changes in temperature.

This data is taken from a typical batch of sensors. The mean and  $\pm 95\%$  confidence intervals are shown.

Figure 3 Zero Temperature Dependence

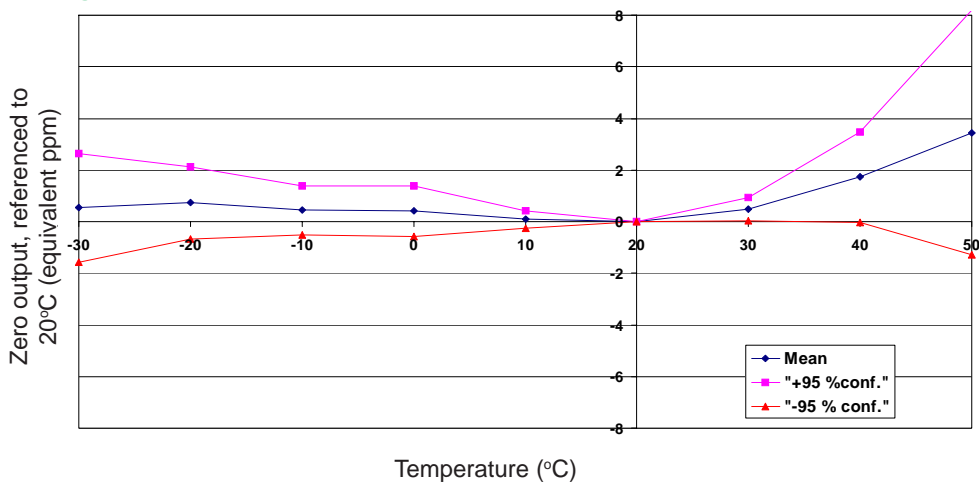


Figure 3 shows the variation in the zero by changes in temperature.

This data is taken from a typical batch of sensors. The mean and  $\pm 95\%$  confidence intervals are shown.

Figure 4 Response to Exposure to 2% CO

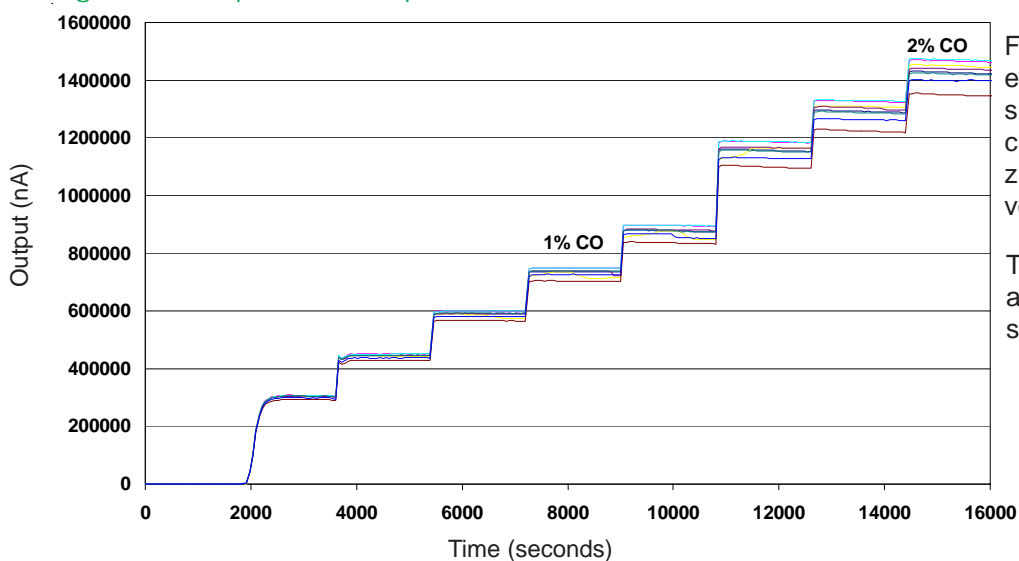


Figure 4 shows the excellent response to step changes in CO concentrations from zero to 2% CO by volume.

This data is taken from a typical batch of sensors.

For further information on the performance of this sensor, on other sensors in the range or any other subject, please contact Alphasense Ltd. For Application Notes visit "[www.alphasense.com](http://www.alphasense.com)"

*In the interest of continued product improvement, we reserve the right to change design features and specifications without prior notification. The data contained in this document is for guidance only. Alphasense Ltd accepts no liability for any consequential losses, injury or damage resulting from the use of this document or the information contained within (©ALPHASENSE LTD) Doc. Ref. COAF/FEB09*