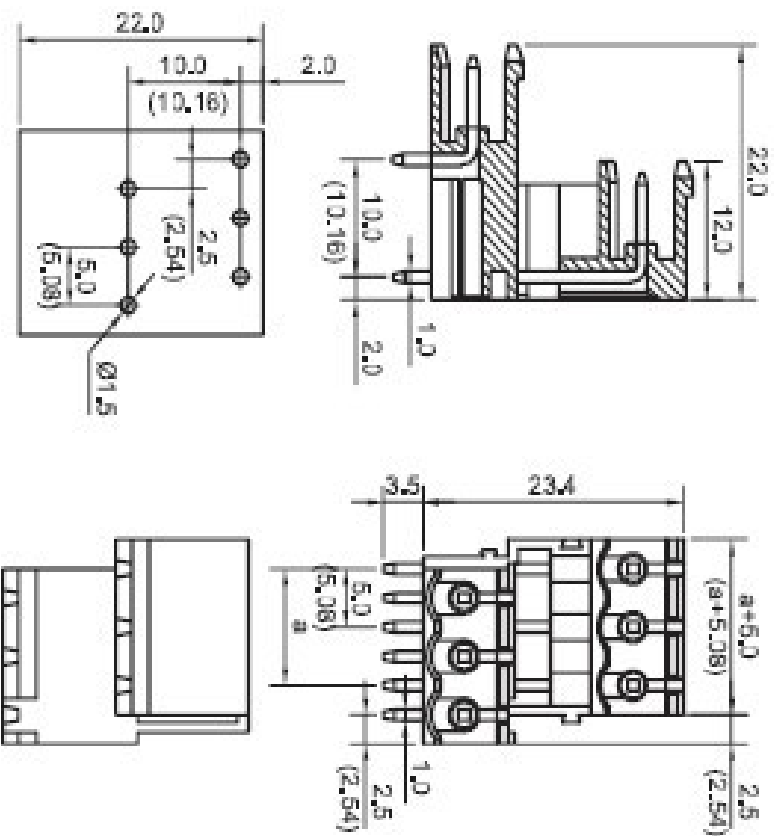




## YE110-500M / YE110-508M



P.C.B LAYOUT

Pitch:5.00mm;508mm

Poles: 2~3 poles

Approval: 

### ◆ 材质及电镀

方 针：黄铜镀锡  
塑 件：PA66, UL94V-0  
颜 色：绿色

### ◆ Material

Pinny : Brass, Tin Plated  
Housing : PA66,UL94V-0  
Color : Green

### ◆ 工作环境

操作温度：-40° ~ +150°  
瞬间温度：+250° 5秒

### ◆ Environmental

Operation temperature : -40° ~+150°  
Short-time temperature: +250° for 5 sec

### ◆ 电气规格

额定电压：300V  
额定电流：16A  
接触电阻：20mΩ  
绝缘电阻：>5000MΩ DC500V  
耐 电 压：AC2000V/1Min

### ◆ Electrical

Rated voltage : 300V  
Rated current : 16A  
Contact resistance : 20mΩ  
Insulation resistance : >5000MΩ DC500V  
Withstanding voltage : AC2000V/1Min