



YE240-500 / YE240-508

Pitch: 5.00mm; 508mm

Poles: 2~24 poles

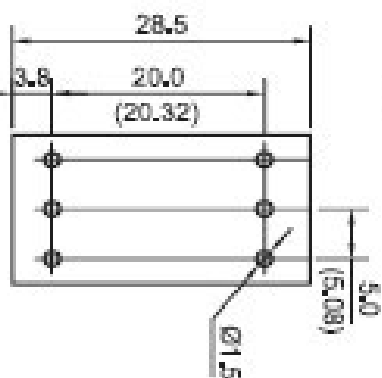
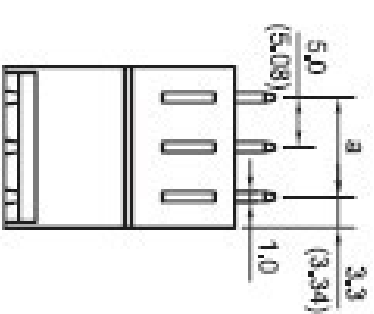
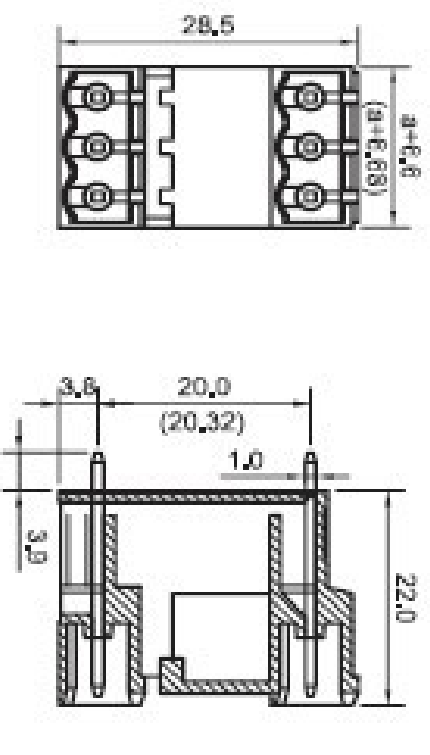
Approval: 

◆ 材质及电镀

方 针：黄铜镀锡
塑 件：PA66, UL94V-0
颜 色：绿色

◆ Material

Pinny : Brass, Tin Plated
Housing : PA66, UL94V-0
Color : Green



F.C.B LAYOUT

◆ 工作环境

操作温度：-40° ~+150°
瞬间温度：+250° 5秒

◆ Environmental

Operation temperature : -40° ~+150°
Short-time temperature : +250° for 5 sec

◆ 电气规格

额定电压：300V
额定电流：16A
接触电阻：20mΩ
绝缘电阻：>5000MΩ DC500V
耐电压：AC2000V/1Min

◆ Electrical

Rated voltage : 300V
Rated current : 16A
Contact resistance : 20m Ω
Insulation t resistance : >5000M Ω DC500V
Withstanding voltage : AC2000V/1Min