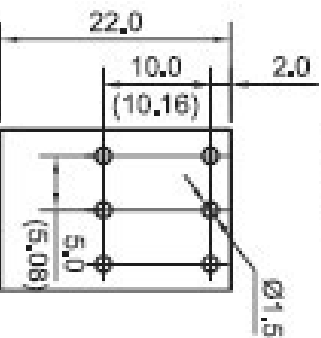
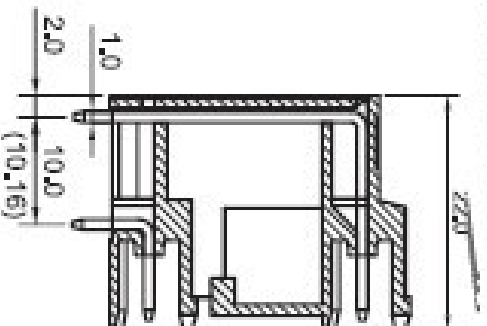
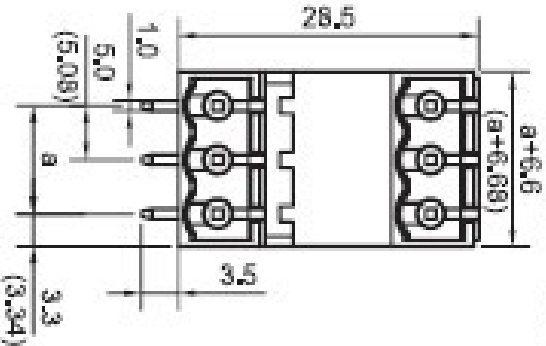




YE230-500 / YE230-508



P.C.B LAYOUT

Pitch: 5.00mm; 508mm

Poles: 2~24 poles

Approval: 

◆ 材质及电镀

方 针：黄铜镀锡
塑 件：PA66, UL94V-0
颜 色：绿色

◆ Material

Pinny : Brass, Tin Plated
Housing : PA66, UL94V-0
Color : Green

◆ 工作环境

操作温度：-40° ~+150°
瞬间温度：+250° 5秒

◆ Environmental

Operation temperature : -40° ~+150°
Short-time temperature: +250° for 5 sec

◆ 电气规格

额定电压：300V
额定电流：16A
接触电阻：20m Ω
绝缘电阻：>5000M Ω DC500V
耐 电 压：AC2000V/1Min

◆ Electrical

Rated voltage : 300V
Rated current : 16A
Contact resistance : 20m Ω
Insulation resistance : >5000M Ω DC500V
Withstanding voltage : AC2000V/1Min